

Excellent Integrated System Limited

Stocking Distributor

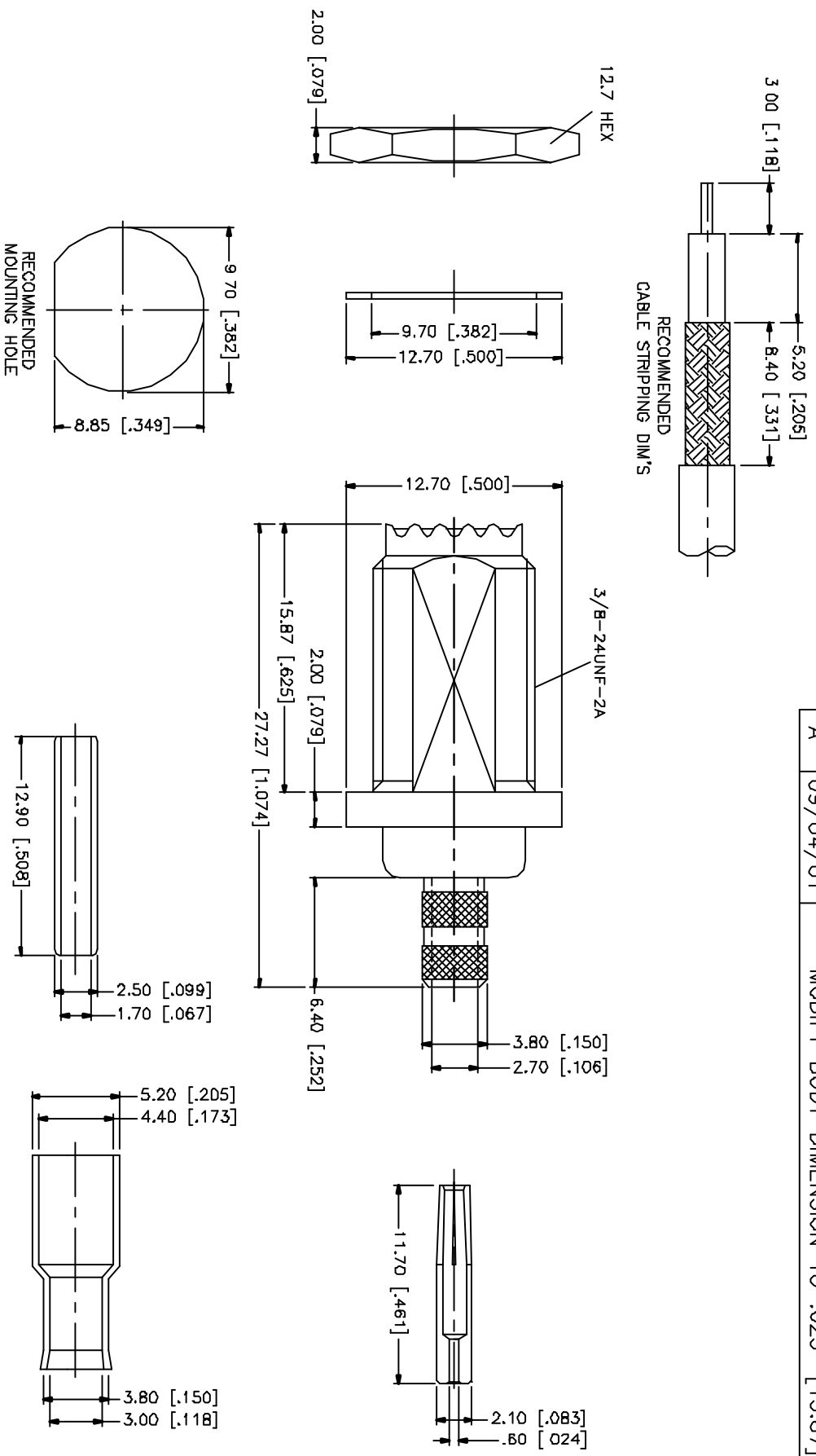
Click to view price, real time Inventory, Delivery & Lifecycle Information:

[Amphenol RF](#)
[182317](#)

For any questions, you can email us directly:

sales@integrated-circuit.com

REV.	DATE	DESCRIPTION
A	09/04/01	MODIFY BODY DIMENSION TO .625" [15.87]



DESCRIPTION	MATERIAL	FINISH	UNLESS OTHERWISE SPECIFIED DIMENSIONS ARE IN MILLIMETERS FOR CUSTOMER REFERENCE ONLY	APPROVALS	DATE	TITLE	SCALE	PART NO.	SHEET
1 BODY	BRASS	NICKEL	UNLESS OTHERWISE SPECIFIED DIMENSIONS ARE IN MILLIMETERS AND TOLERANCES FOR MILLIMETERS ARE: 0.5-6 = ± 0.2 6-30 = ± 0.4 30-120 = ± 0.6 120-315 = ± 1 315-1000 = ± 1.5 1000-2000 = ± 2.4	DRAWN	09/04/01	Comnecx Connector Corporation MINI-UHF BULKHEAD CRIMP JACK (FOR 174/U, 188/U, 316/U CABLE)	A	99001	182317
2 INSULATOR	TEFLON	NATURAL		CHECKED					
3 BARREL	BRASS	NICKEL		ISSUED					
4 CONTACT PIN	PHOS. BRONZE	GOLD							
5 SLEEVE	DELURIN	NATURAL							
6 FERRULE	BRASS	NICKEL							
7									
8				DO NOT SCALE DRAWINGS					