

Excellent Integrated System Limited

Stocking Distributor

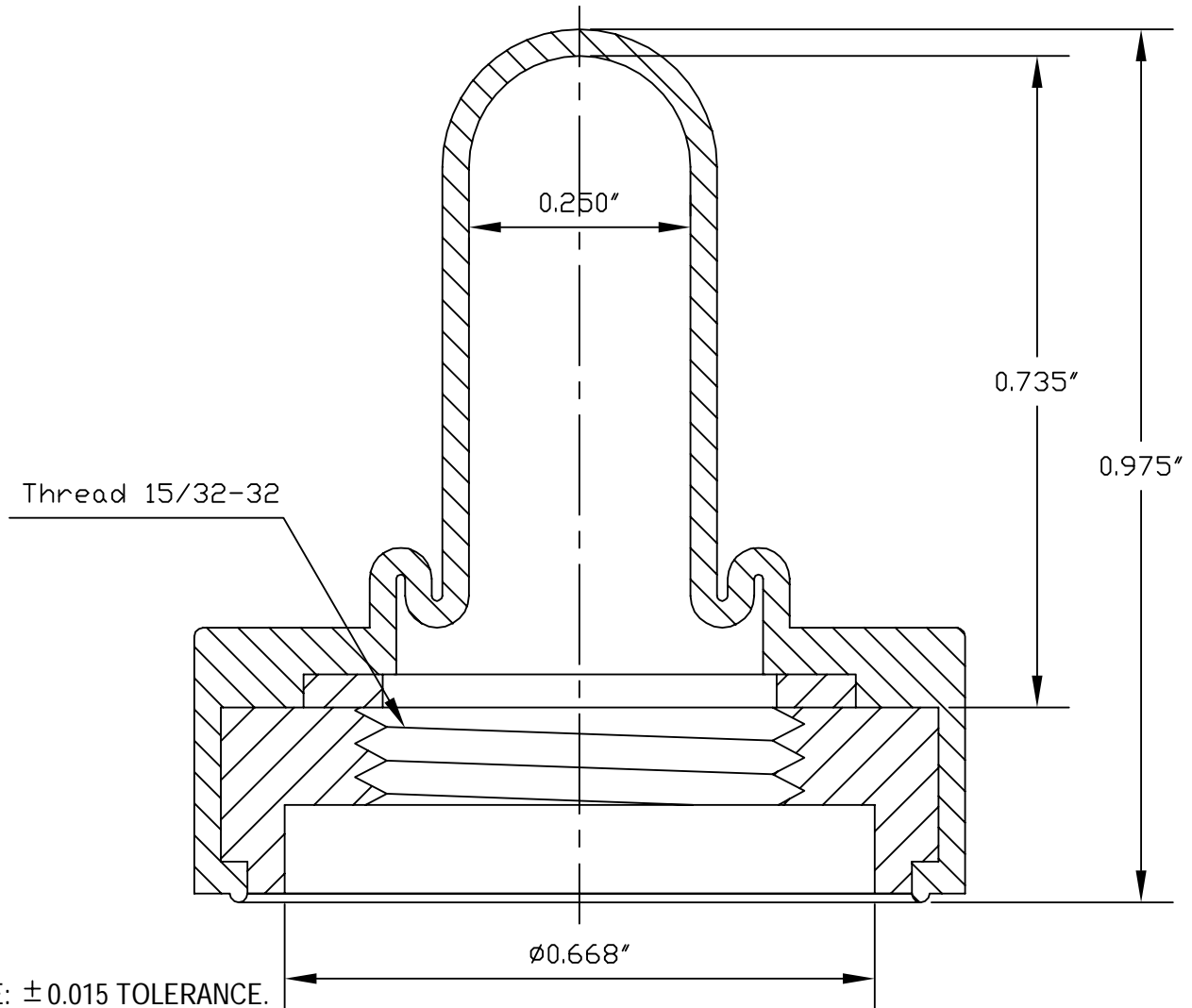
Click to view price, real time Inventory, Delivery & Lifecycle Information:

[APM Hexseal](#)
[IQ1030 2202](#)

For any questions, you can email us directly:
sales@integrated-circuit.com

SPECIFICATIONS

Material: IQ-SEELS: Silicone Rubber Polymer type ASTM D 1418
Mounting Nut: IQ-SEELS: Aluminum
Temperature Range: IQ-SEELS: -80°F to +400°F
Operational Life: 100,000 actuations (minimum)
Shelf Life: Excess of 25 years
Resistant to: Salt spray, sunlight, ozone, weather, fungus and most acids and lubricating oils



| | | |
|---|---|-------------------------|
| REV. | DESCRIPTION | DATE |
| B | CHANGED ACTUATIONS FROM 50,000 to 100,000 | 04.17.09 |
| A | CAD COMPUTER GENERATED | 04.23.08 |
| TITLE: TOGGLE SWITCH BOOT | | ENG. S. GOK 04.23.08 |
| MAXIMUM AND MINIMUM MEASUREMENTS ARE STATED DIRECTLY ON EACH DIMENSION. | | DWN. S. GOK 04.23.08 |
| MAT'L: SILICONE RUBBER GR-30 | | CHKD. J. CELLA 04.23.08 |
| FINISH: BLACK | | SCALE 5 : 1 |
| APM-HEXSEAL CORPORATION | | DWG. NO. IQ1030 IQ-SEEL |

THIS DRAWING COVERS PROPRIETARY ITEM AND IS THE PROPERTY OF THE APM-HEXSEAL CORPORATION.
 THIS DRAWING IS NOT TO BE COPIED OR USED WITHOUT THE WRITTEN APPROVAL OF AN OFFICER OF THE APM-HEXSEAL CORPORATION.