



**Distributor of Molex Connector Corporation: Excellent Integrated System Limited**  
Datasheet of 0678038020 - Connector Receptacle USB - mini AB 2.0 OTG 5 Position Surface  
Mount, Right Angle, Horizontal

Contact us: [sales@integrated-circuit.com](mailto:sales@integrated-circuit.com) Website: [www.integrated-circuit.com](http://www.integrated-circuit.com)

---

## **Excellent Integrated System Limited**

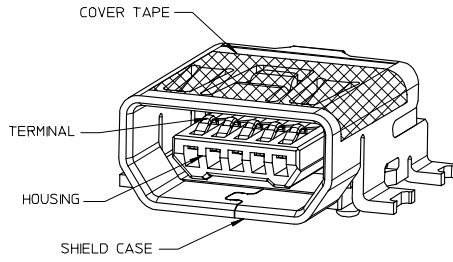
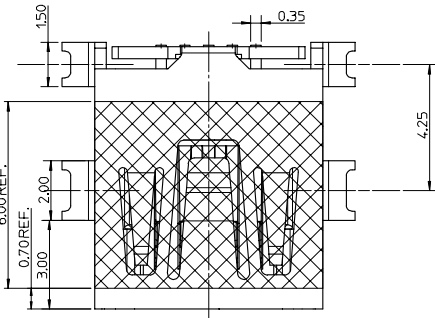
Stocking Distributor

Click to view price, real time Inventory, Delivery & Lifecycle Information:

[Molex Connector Corporation](#)  
[0678038020](#)

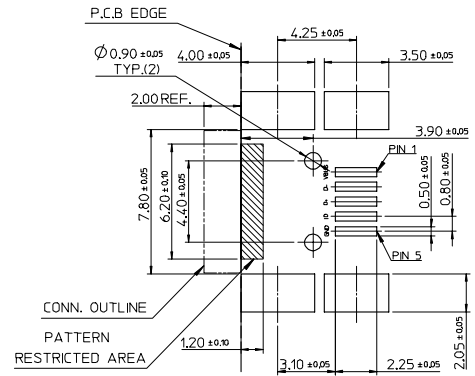
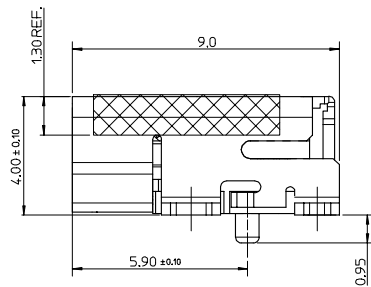
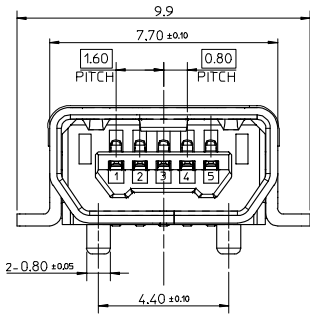
For any questions, you can email us directly:  
[sales@integrated-circuit.com](mailto:sales@integrated-circuit.com)

Contact us: [sales@integrated-circuit.com](mailto:sales@integrated-circuit.com) Website: [www.integrated-circuit.com](http://www.integrated-circuit.com)



**NOTE :**

- MATERIAL :**  
 HOUSING : NYLON GLASS FILLED , GRAY,UL94V-0  
 TERMINAL : COPPER ALLOY THICKNESS = 0.2 MM  
 SHIELD CASE : COPPER ALLOY THICKNESS = 0.4 MM
- TERMINAL :**  
 CONTACT AREA : GOLD 0.75 MICROMETER MINIMUM.  
 SOLDER TAIL AREA : PURE TIN 3.8 MICROMETER MINIMUM.  
 UNDER PLATING : NICKEL 1.25 MICROMETER MINIMUM.  
 SHIELD CASE :  
 PURE TIN 1~3 MICROMETER MINIMUM.  
 UNDER PLATING : NICKEL 1.0 MICROMETER MINIMUM.
- TAIL & NAIL COPLANARITY 0.1 mm MAXIMUM.**



**RECOMMENDED P.C.B. PATTERN LAYOUT**

COMPONENT	REMARK
P/N 67803-8020	WITH COVER TAPE
67803-8021	WITHOUT COVER TAPE

REVISE EC NO: SH2006-0852 2006/06/20 DRAWN: JISONG 2006/07/04 CHKD: WANG 2006/07/04 APPR: JICHEN 2006/07/05	DESCRIPTION USB SERIES MINI-AB REC. ASSY SMT TYPE (LEAD-FREE)	QUALITY SYMBOLS	GENERAL TOLERANCES (UNLESS SPECIFIED)	DIMENSION STYLE	SCALE	DESIGN UNITS	THIRD ANGLE PROJECTION															
		$\nabla=0$ $\nabla=0$	<table border="1"> <tr> <th></th> <th>mm</th> <th>INCH</th> </tr> <tr> <td>4 PLACES</td> <td>± ---</td> <td>± ---</td> </tr> <tr> <td>3 PLACES</td> <td>± ---</td> <td>± ---</td> </tr> <tr> <td>2 PLACES</td> <td>± 0.25</td> <td>± ---</td> </tr> <tr> <td>1 PLACE</td> <td>± 0.25</td> <td>± ---</td> </tr> </table>		mm	INCH	4 PLACES	± ---	± ---	3 PLACES	± ---	± ---	2 PLACES	± 0.25	± ---	1 PLACE	± 0.25	± ---	MM ONLY	8:1	METRIC	
			mm	INCH																		
		4 PLACES	± ---	± ---																		
3 PLACES	± ---	± ---																				
2 PLACES	± 0.25	± ---																				
1 PLACE	± 0.25	± ---																				
DRAFT WHERE APPLICABLE MUST REMAIN WITHIN DIMENSIONS	DRAWN BY: JACK DATE: 2004/11/23 CHECKED BY: HARVEY DATE: 2004/11/23 APPROVED BY: YTYAP DATE: 2004/11/23	TITLE	MATERIAL NO.	DOCUMENT NO.	SHEET NO.																	
			SEE TABLE	SD-67803-002	1 OF 1																	