

## Excellent Integrated System Limited

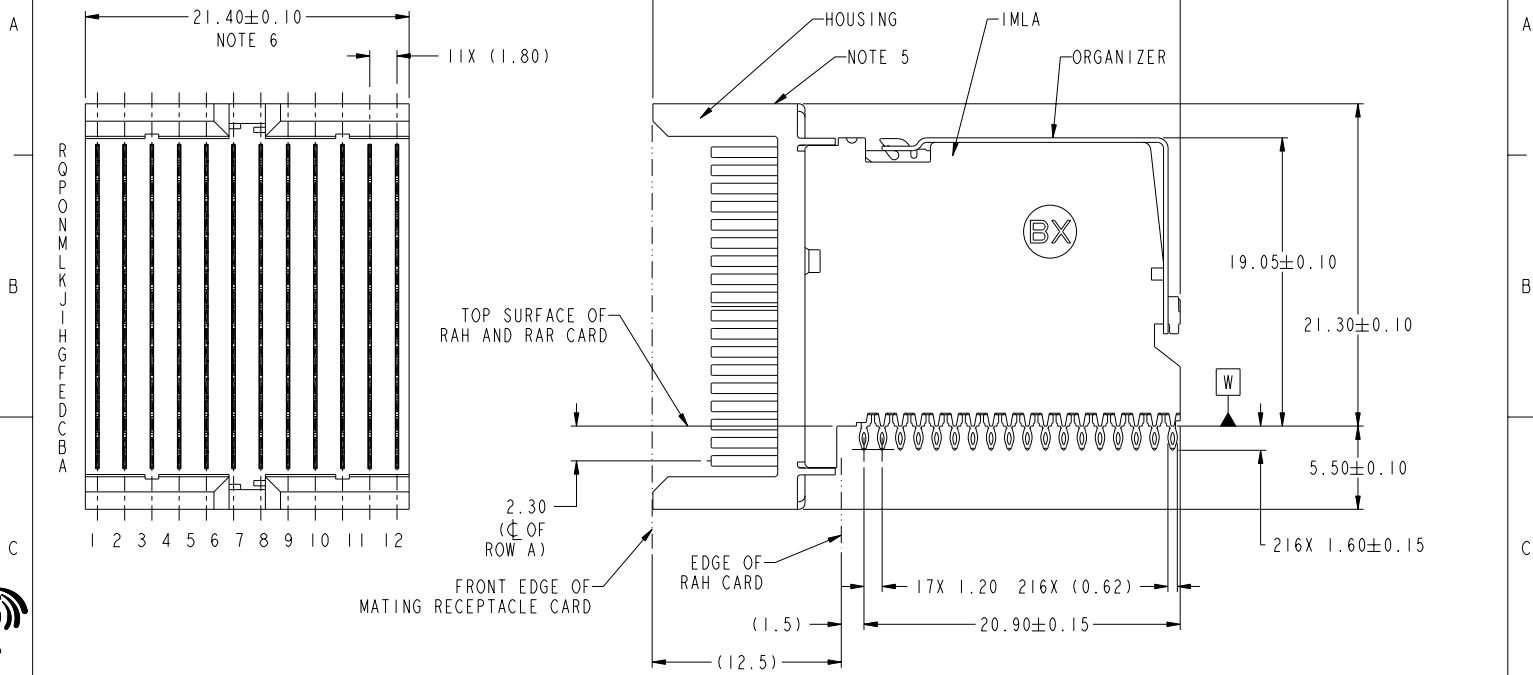
Stocking Distributor

Click to view price, real time Inventory, Delivery & Lifecycle Information:

[FCI](#)  
[10077555-101LF](#)

For any questions, you can email us directly:  
[sales@integrated-circuit.com](mailto:sales@integrated-circuit.com)

PRODUCT NUMBER  
SEE SHEET 3

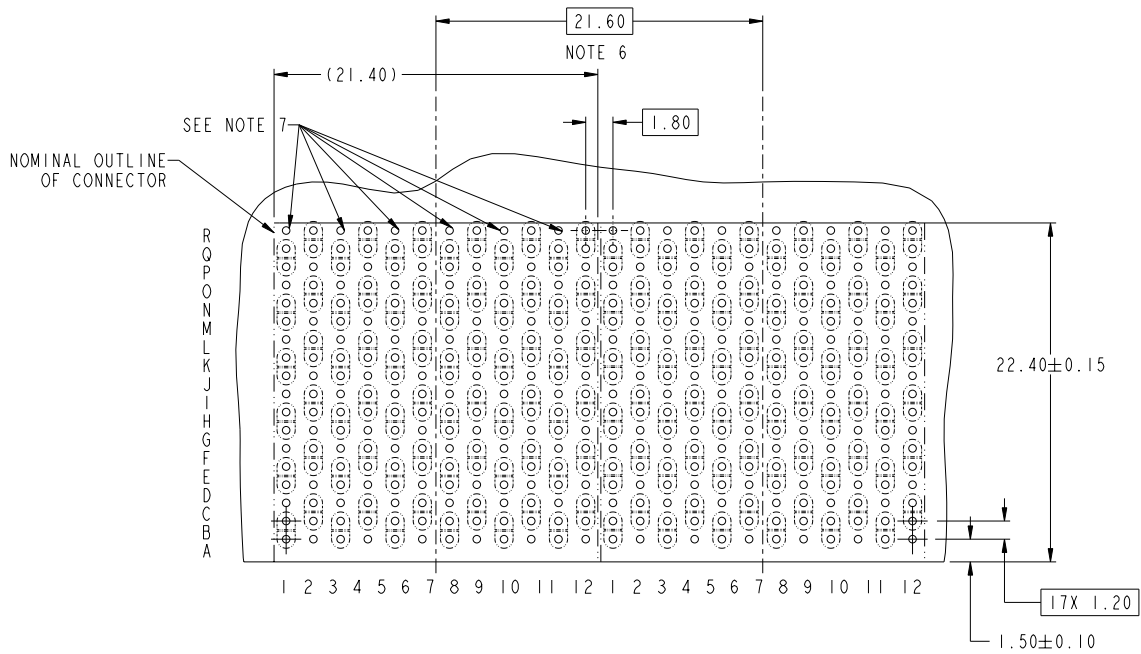


Copyright FCI.

www.fciconnect.com				surface	tolerance std	projection	MM
				TOLERANCES UNLESS OTHERWISE SPECIFIED			
				ANGULAR	LINEAR	0.x ±	size A3 Scale 4:1
				0° ±		0.xx ±	ECN ---
				0° ±		0.xxx ±	Spec ref ---
				Product family		ZipLine	Rev. A
				Title		10077555	Rev. A
				6 PR, 12 IMLA, 1.8MM PITCH, 21.6MM		Eng no	sheet 1 of 3
				catalog no		CUSTOMER	

rev	ecn no	dr	date
A	V09-0397	MRG	2009-07-28
-	-	-	-
-	-	-	-
-	-	-	-
-	-	-	-
-	-	-	-
-	-	-	-
-	-	-	-

REV F - 2009-08-17



RECOMMENDED PCB LAYOUT  
 FOR DIFFERENTIAL APPLICATIONS  
 COMPONENT SIDE  
 (TWO ADJACENT FOOTPRINTS SHOWN)  
 NOTES 6, 7, & 8


	Title	ZipLine R/A HEADER ASSY	dwg. no.	10077555	Rev.	A
	catalog no.	6 PR, 12 IMLA, 1.8MM PITCH, 21.6MM	CUSTOMER	sheet 2 of 3		

PRODUCT NUMBER	PRESS-FIT TAIL PLATING TYPE
10077555-101	TIN/LEAD ALLOY OVER NICKEL
10077555-101LF	TIN OVER NICKEL (LEAD FREE)

- ① - CONNECTOR MATERIALS:  
 HOUSING: HIGH TEMP THERMOPLASTIC, BLACK, UL94-V0  
 IMLA PLASTIC: HIGH TEMP THERMOPLASTIC, BLACK, UL94-V0  
 CONTACT: COPPER ALLOY  
 ORGANIZER: STAINLESS STEEL
- 2 - CONTACT PLATING:  
 SEPARABLE INTERFACE:  
 PERFORMANCE-BASED PLATING, QUALIFIED TO MEET THE REQUIREMENTS OF FCI PRODUCT SPECIFICATION GS-12-452 INCLUDING TELCORDIA GR-1217-CORE (NOVEMBER 1995) CENTRAL OFFICE TEST SEQUENCE  
 PRESS-FIT TAILS: SEE TABLE
- 3 - PRODUCT SPECIFICATION: GS-12-452
- 4 - APPLICATION SPECIFICATION: GS-20-094
- ⑤ - PRODUCT MARKING, (PART NUMBER & LOT CODE), ON THIS SURFACE.
- ⑥ - THE MINIMUM CENTERLINE SPACING BETWEEN ADJACENT MODULES IS 21.6MM.
- ⑦ - THERE IS NO GROUND BUSSING WITHIN THE CONNECTOR EXCEPT FOR POSITIONS R1,R3,R5,R7,R9,& R11. THESE MUST BE ASSIGNED AS GROUNDS.
- ⑧ - REFER TO CUSTOMER DRAWING 10045979 FOR INFORMATION ON PCB HOLE DIAMETERS AND PLATING OPTIONS
- 9 - LEAD FREE PRODUCT MEETS THE EUROPEAN UNION DIRECTIVES & OTHER COUNTRY REGULATIONS AS DESCRIBED IN GS-22-008
- 10 - THE HOUSING WILL WITHSTAND EXPOSURE TO 260°C PEAK TEMPERATURE FOR 40 SECONDS IN A CONVECTION, INFRA-RED, OR VAPOR PHASE REFLOW OVEN.
- 11 - PACKAGING MEETS GS-14-920 LEAD FREE LABELING SPECIFICATION.



Copyright FCI.

	title	ZipLine R/A HEADER ASSY	dwg. no.	10077555	Rev.	A
	catalog no.	6 PR, 12 IMLA, 1.8MM PITCH, 21.6MM	CUSTOMER	sheet 3 of 3		

REV. 7 - 2004-08-17

1

2

3

PDM: Rev:A

STATUS: Released

Printed: Dec 01, 2010