

Excellent Integrated System Limited

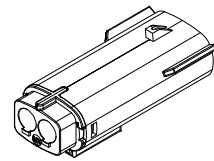
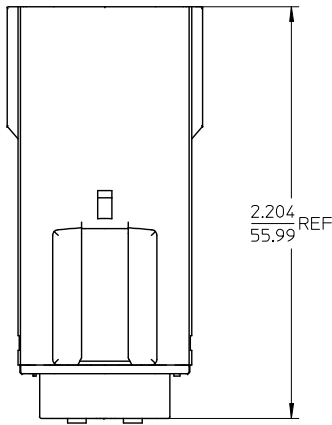
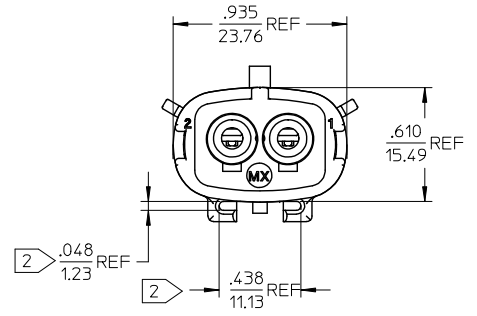
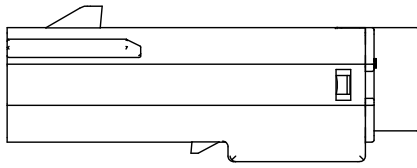
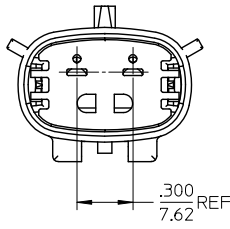
Stocking Distributor

Click to view price, real time Inventory, Delivery & Lifecycle Information:

[Molex Connector Corporation](#)
[0194330013](#)

For any questions, you can email us directly:
sales@integrated-circuit.com

10 9 8 7 6 5 4 3 2 19433



194330013	10-12
194330014	8
MATERIAL NUMBER	UL WIRE AWG

REV	DESCRIPTION	QUALITY SYMBOLS	GENERAL TOLERANCES (UNLESS SPECIFIED)		DIMENSION STYLE		SCALE	DESIGN UNITS	THIRD ANGLE PROJECTION
			mm	INCH	IN/MM				
4	PLACES	±	---	±	---				
3	PLACES	±	---	±	.015				
2	PLACES	±	0.38	±	---				
1	PLACE	±	---	±	---				
			ANGULAR		± 1°				
			DRAFT WHERE APPLICABLE		MUST REMAIN WITHIN DIMENSIONS				
			DRAWN BY		B. RUPERT	DATE		04/09/29	
			CHECKED BY		JPAWLICK	DATE		04/09/29	
			APPROVED BY		R. DEROSS	DATE		04/09/29	
			MATERIAL NO.		SEE CHART	DOCUMENT NO.		SD-19433-001	
			SIZE		B	THIS DRAWING CONTAINS INFORMATION THAT IS PROPRIETARY TO MOLEX INCORPORATED AND SHOULD NOT BE USED WITHOUT WRITTEN PERMISSION			

NOTES:

- ASSEMBLY PACKAGED PER PK-19433-001
- USE CONNECTOR WITH MALE CRIMP TERMINAL: SERIES 19431.

9 8 7 6 5 4 3 2 1