

## **Excellent Integrated System Limited**

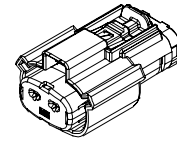
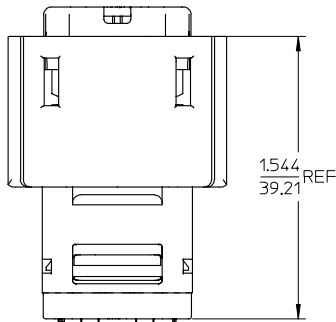
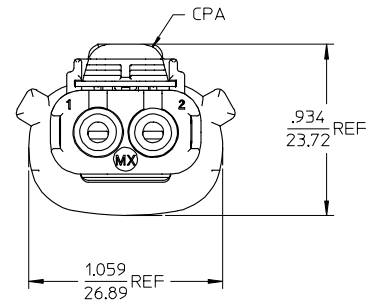
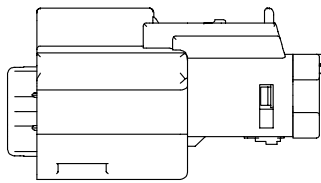
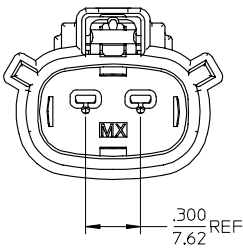
Stocking Distributor

Click to view price, real time Inventory, Delivery & Lifecycle Information:

[Molex Connector Corporation](#)  
[0194320013](#)

For any questions, you can email us directly:  
[sales@integrated-circuit.com](mailto:sales@integrated-circuit.com)

10 9 8 7 6 5 4 3 2 19432



194320013	10-12	YES
194320014	8	
194320015	10-12	NO
194320016	8	
MATERIAL NUMBER	UL WIRE AWG	CPA

<b>PRODUCT RELEASE</b> EC NO: ETC2005-0069 DRAWN BY: B. RUPERT 2004/10/25 CHECKED BY: JPAWLICK 2004/10/25 APPROVED BY: R. DEROSS 2004/10/25 1	<b>QUALITY SYMBOLS</b> ▽=0 ▽=0	<b>GENERAL TOLERANCES (UNLESS SPECIFIED)</b>		<b>DIMENSION STYLE</b> IN/MM	<b>SCALE</b> 2:1	<b>DESIGN UNITS</b> INCH	THIRD ANGLE PROJECTION		
		4 PLACES ± --- ± --- 3 PLACES ± --- ± .015 2 PLACES ± 0.38 ± --- 1 PLACE ± --- ± ---	mm INCH	DRAWN BY B. RUPERT	DATE 04/09/29	<b>TITLE</b> 2 WAY RECEPTACLE ASSEMBLY			
		ANGULAR ± 1 °	DRAFT WHERE APPLICABLE MUST REMAIN WITHIN DIMENSIONS	CHECKED BY JPAWLICK	DATE 04/09/29	<b>MATERIAL NO.</b> SEE CHART			
		APPROVED BY R. DEROSS	DATE 04/09/29	<b>MOLEX INCORPORATED</b>		<b>DOCUMENT NO.</b> SD-19432-001	<b>SHEET NO.</b> 1 OF 1		

- NOTES:
- ASSEMBLY PACKAGED PER PK-19432-001
  - USE CONNECTOR WITH FEMALE CRIMP TERMINAL: SERIES 19434.

9 8 7 6 5 4 3 2 1