

Excellent Integrated System Limited

Stocking Distributor

Click to view price, real time Inventory, Delivery & Lifecycle Information:

[Bel Fuse Inc.](#)
[0845-2D1T-S4](#)

For any questions, you can email us directly:
sales@integrated-circuit.com

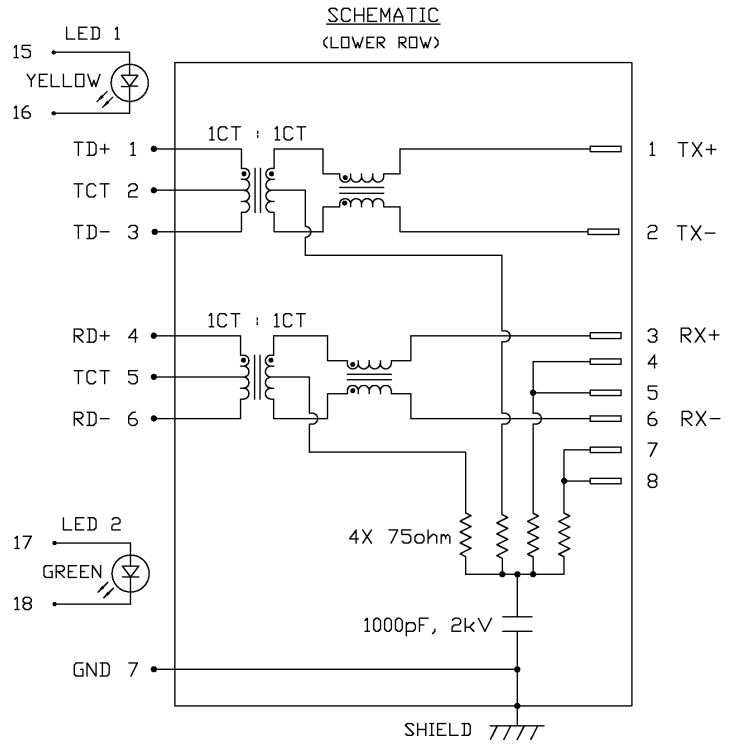


THE INFORMATION CONTAINED HEREIN IS CONSIDERED "PROPRIETARY" TO BEL FUSE INC. AND SHALL NOT BE COPIED, REPRODUCED OR DISCLOSED WITHOUT THE WRITTEN APPROVAL OF BEL FUSE INC.

LED 1 POLARITY			LED 2 POLARITY		
PIN 15	PIN 16	COLOR	PIN 17	PIN 18	COLOR
+	-	YELLOW	+	-	GREEN

ELECTRICAL CHARACTERISTICS @ 25°C

URNS RATIO	
TX	1CT : 1CT ±3%
RX	1CT : 1CT ±3%
OCL @ 100kHz/100mVRMS	
8mA DC BIAS	350µH MIN.
INS. LOSS	
100KHz TO 100MHz	-1.1 dB MAX
RET. LOSS (MIN)	
1MHz-30MHz	-18 dB
60MHz-80MHz	-12 dB
CM TO CM REJ	
1MHz-100MHz	-35 dB TYP
CROSS TALK (TX - RX)	
1MHz-100MHz	-35 dB TYP
LEAKAGE INDUCTANCE	
PRIMARY W/ SECONDARY SHORTED	0.4µH Max. @ 1MHz
INTERWINDING CAPACITANCE	
PER CHANNEL (PRI. TO SEC.)	30pF TYP @ 1MHz
DC RESISTANCE	
(RJ1-RJ2)=(RJ3-RJ6)	1.8 ohms Max
PIN4-PIN6	1.1 ohms Max
PIN1-PIN3	1.1 ohms Max
OPERATING TEMPERATURE:	
	-40 TO +85 C
HIPOT (Isolation Voltage):	
	1500 Vrms
LED 1	
V _F (FORWARD VOLTAGE)	IF=20mA YELLOW 2.1V TYP.
λ _D (DOMINANT WAVELENGTH)	IF=20mA YELLOW 590nm TYP.
LED 2	
V _F (FORWARD VOLTAGE)	IF=20mA GREEN 2.2V TYP.
λ _D (DOMINANT WAVELENGTH)	IF=20mA GREEN 565nm TYP.



ORIGINATED BY CHUNG	DATE 02-14-06	TITLE 2X1 MagJack® (with LED)	PART NO. / DRAWING NO. 0845-2D1T-S4	STANDARD DIM. TOL. IN INCH	[] METRIC DIM. AS REFERENCE		bel COMPONENTS OF A CONNECTED PLANET
DRAWN BY DE	DATE 02-14-06		FILE NAME 08452D1TS4A.DWG	.X .XX .XXX	UNIT : INCH [mm] SCALE : N/A	REV. : A SIZE : A4 PAGE : 2	

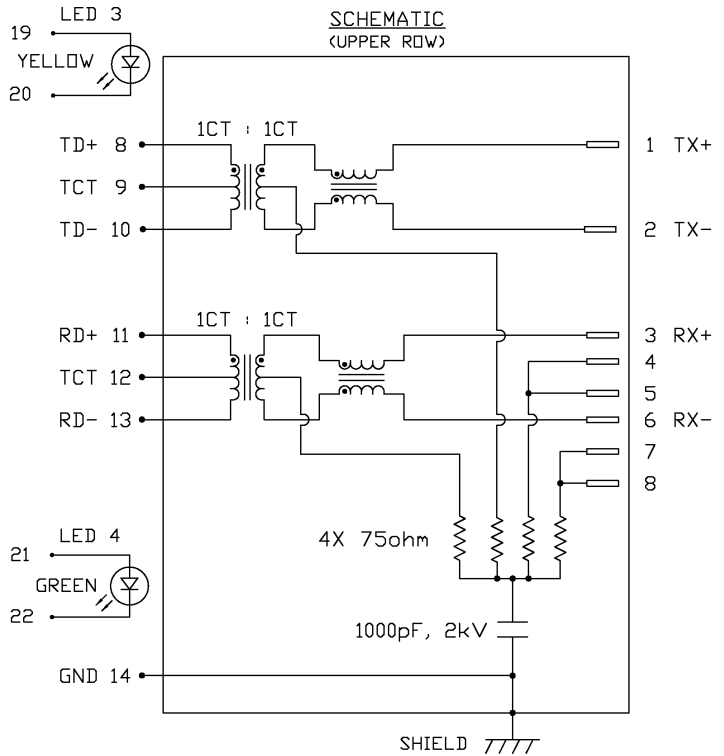


THE INFORMATION CONTAINED HEREIN IS CONSIDERED "PROPRIETARY" TO BEL FUSE INC. AND SHALL NOT BE COPIED, REPRODUCED OR DISCLOSED WITHOUT THE WRITTEN APPROVAL OF BEL FUSE INC.

LED 3 POLARITY			LED 4 POLARITY		
PIN 19	PIN 20	COLOR	PIN 21	PIN 22	COLOR
+	-	YELLOW	+	-	GREEN

ELECTRICAL CHARACTERISTICS @ 25°C

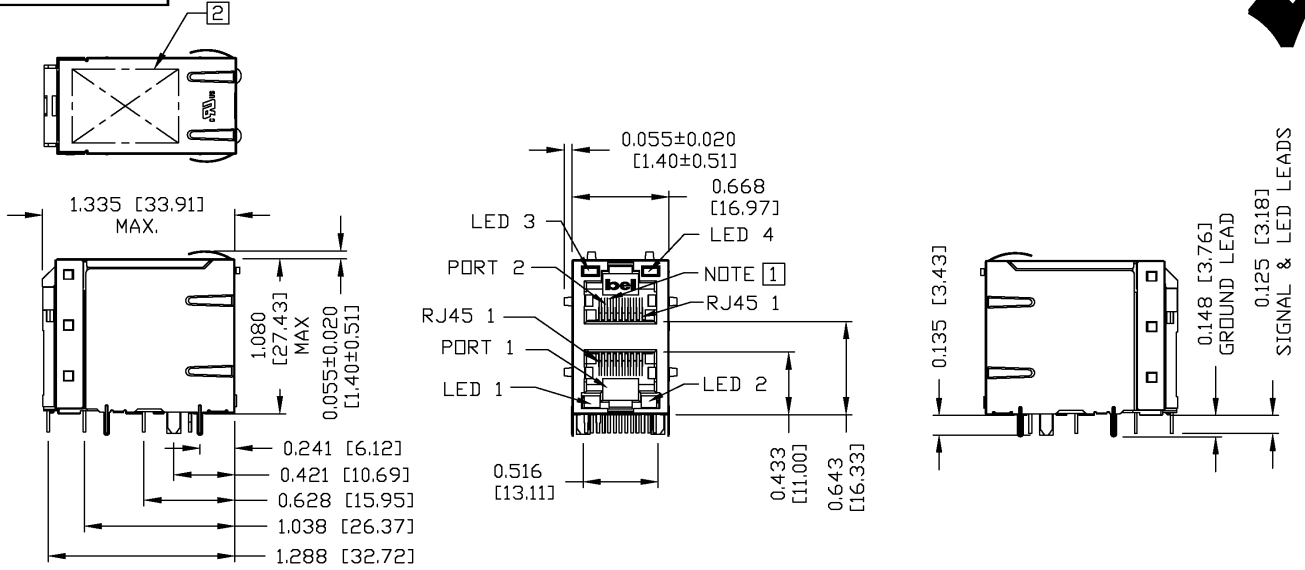
TRANSFORMER	
TX	1CT : 1CT ±3%
RX	1CT : 1CT ±3%
DC CHARACTERISTICS	
DCL @ 100kHz/100mVRMS	350µH MIN.
8mA DC BIAS	
LOSS	
INS. LOSS	-1.1 dB MAX
100kHz TO 100MHz	
RET. LOSS (MIN)	-18 dB
1MHz-30MHz	
	-12 dB
60MHz-80MHz	
REJECTION	
CM TO CM REJ	-35 dB TYP
1MHz-100MHz	
CROSSTALK	
CROSS TALK (TX - RX)	-35 dB TYP
1MHz-100MHz	
INDUCTANCE & CAPACITANCE	
LEAKAGE INDUCTANCE	0.4µH Max. @ 1MHz
PRIMARY W/ SECONDARY SHORTED	
INTERWINDING CAPACITANCE	30pF TYP @ 1MHz
PER CHANNEL (PRI. TO SEC.)	
DC RESISTANCE	
(RJ1-RJ2)=(RJ3-RJ6)	1.8 ohms Max
PIN11-PIN13	1.1 ohms Max
PIN8-PIN10	1.1 ohms Max
OPERATING TEMPERATURE	
OPERATING TEMPERATURE:	-40 TO +85 C°
HIPOT (Isolation Voltage):	
HIPOT (Isolation Voltage):	1500 Vrms
LED 3 (Super bright)	
VF (FORWARD VOLTAGE)	IF=20mA YELLOW 2.1V TYP.
λD (DOMINANT WAVELENGTH)	IF=20mA YELLOW 590nm TYP.
LED 4 (Super bright)	
VF (FORWARD VOLTAGE)	IF=20mA GREEN 2.2V TYP.
λD (DOMINANT WAVELENGTH)	IF=20mA GREEN 565nm TYP.



ORIGINATED BY CHUNG	DATE 02-14-06	TITLE 2X1 MagJack® (with LED)	PART NO. / DRAWING NO. 0845-2D1T-S4	STANDARD DIM. TOL. IN INCH	[] METRIC DIM. AS REFERENCE		bel COMPONENTS FOR A CONNECTED PLANET
DRAWN BY DE	DATE 02-14-06		FILE NAME 08452D1TS4A.DWG	.X .XX .XXX	UNIT : INCH [mm] SCALE : N/A	REV. : A SIZE : A4 PAGE : 3	



THE INFORMATION CONTAINED HEREIN IS CONSIDERED "PROPRIETARY" TO BEL FUSE INC. AND SHALL NOT BE COPIED, REPRODUCED OR DISCLOSED WITHOUT THE WRITTEN APPROVAL OF BEL FUSE INC.



NOTES:
 PLASTIC HOUSING: THERMOPLASTIC PBT
 FLAMMABILITY RATING UL 94V-0
 CONTACT PLATING: 50 MICRO-INCH HARD GOLD PLATING
 OUTPUT PINS: TIN-COATED COPPER WIRE, DIA 0.018 INCH.
 METAL SHIELD: NICKEL PLATED ON COPPER ALLOY.
 (ALL GROUND LEADS ARE SOLDER DIPPED)

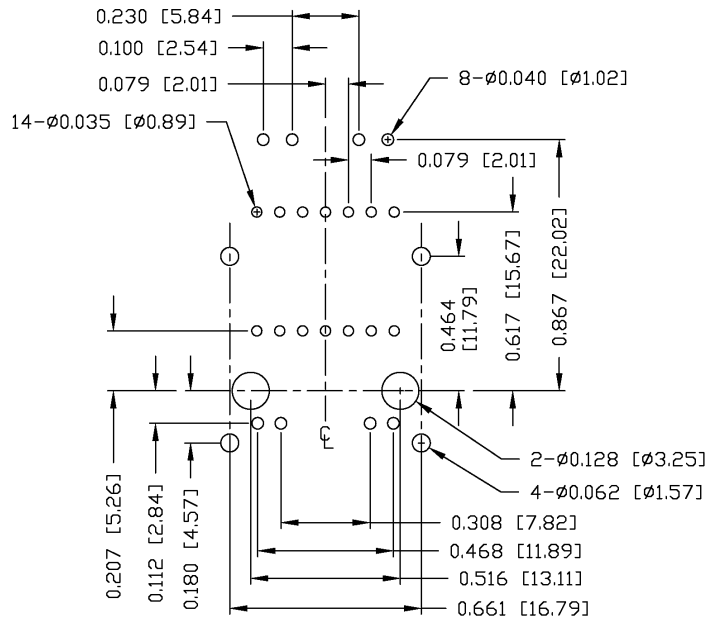
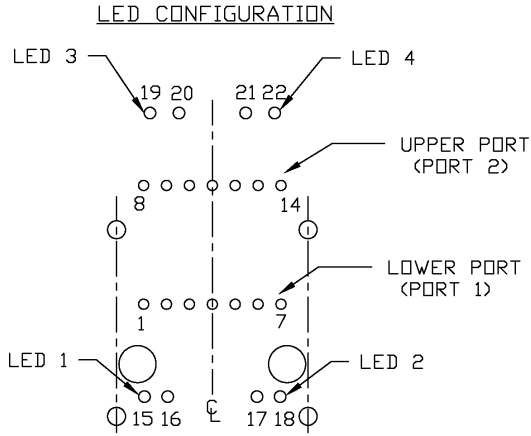
- 1. JACK CAVITY CONFORMS TO FCC RULES AND REGULATIONS, PART 68 SUBPART F.
- 2. MARK PART WITH MFG LOGO, MFG NAME, PART NUMBER, AND DATE CODE.

RoHS COMPLIANCE, PER EU DIRECTIVE 2002/95/EC.
 cULus UL RECOGNIZED - FILE #E196366 AND E169987.

ORIGINATED BY BILL/KEUNG	DATE 02-14-06	TITLE 2X1 MagJack® (with LED)	PART NO. / DRAWING NO. 0845-2D1T-S4	STANDARD DIM. TOL. IN INCH	[] METRIC DIM. AS REFERENCE	 bel COMPONENTS FOR A CONNECTED PLANET
DRAWN BY QIN	DATE 02-14-06	FILE NAME 08452D1TS4A.DWG		.X .XX .XXX	UNIT : INCH [mm]	
				±0.010	SCALE : N/A	
					SIZE : A4	
					REV. : A	PAGE : 4



THE INFORMATION CONTAINED HEREIN IS CONSIDERED "PROPRIETARY" TO BEL FUSE INC. AND SHALL NOT BE COPIED, REPRODUCED OR DISCLOSED WITHOUT THE WRITTEN APPROVAL OF BEL FUSE INC.



PIN-OUT INFORMATION
(COMPONENT SIDE VIEW)
(SCALE 2:1)

SUGGESTED FOOTPRINT
(COMPONENT SIDE VIEW)
(SCALE 2:1)

ORIGINATED BY BILL/KEUNG	DATE 02-14-06	TITLE 2X1 MagJack® (with LED)	PART NO. / DRAWING NO. 0845-2D1T-S4	STANDARD DIM. TOL. IN INCH	[] METRIC DIM. AS REFERENCE	REV. : A	UNIT : INCH [mm]	SCALE : N/A	SIZE : A4	PAGE : 5	
DRAWN BY QIN	DATE 02-14-06		FILE NAME 08452D1TS4A.DWG	.X .XX .XXX ±0.004							

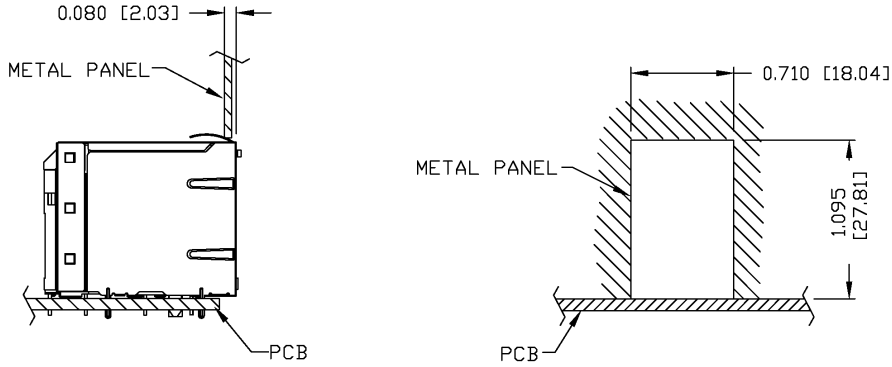
DC002(2)032305

This document is electronically generated. This is a controlled copy if used internally



THE INFORMATION CONTAINED HEREIN IS CONSIDERED "PROPRIETARY" TO BEL FUSE INC. AND SHALL NOT BE COPIED, REPRODUCED OR DISCLOSED WITHOUT THE WRITTEN APPROVAL OF BEL FUSE INC.

SUGGESTED PANEL OPENING



NOTE:

THE DISTANCE OF PANEL INSIDE SURFACE RELATIVE TO FRONT SURFACE OF PART IS ONLY A SUGGESTION. IN CASE THIS DISTANCE IS DIFFERENT, THE REQUIRED PANEL OPENING DIMENSIONS CHANGE ACCORDINGLY.

PACKING INFORMATION

PACKING TRAY: 0200-9999-H5 (TOP)
0200-9999-H6 (BOTTOM)

PACKING QUANTITY: 40 PCS FINISHED GOODS PER TRAY
6 TRAYS (240 PCS FINISHED GOODS) PER CARTON BOX.

NOTE: CARDBOARD ARE PLACED BETWEEN LAYERS OF PACKING TRAY INSIDE CARTON BOX.
(INCLUDE THE UPPERMOST AND LOWEREST TRAY)

ORIGINATED BY BILL/KEUNG	DATE 02-14-06	TITLE 2X1 MagJack® (with LED)	PART NO. / DRAWING NO. 0845-2D1T-S4	STANDARD DIM. TOL. IN INCH	[] METRIC DIM. AS REFERENCE	
DRAWN BY QIN	DATE 02-14-06		FILE NAME 08452D1TS4A.DWG	.X .XX .XXX ±0.004	UNIT : INCH [mm]	REV. : A
					SCALE : N/A	SIZE : A4
						PAGE : 6

