

Excellent Integrated System Limited

Stocking Distributor

Click to view price, real time Inventory, Delivery & Lifecycle Information:

[Bel Fuse Inc.](#)
[0845-2D1T-H5](#)

For any questions, you can email us directly:
sales@integrated-circuit.com

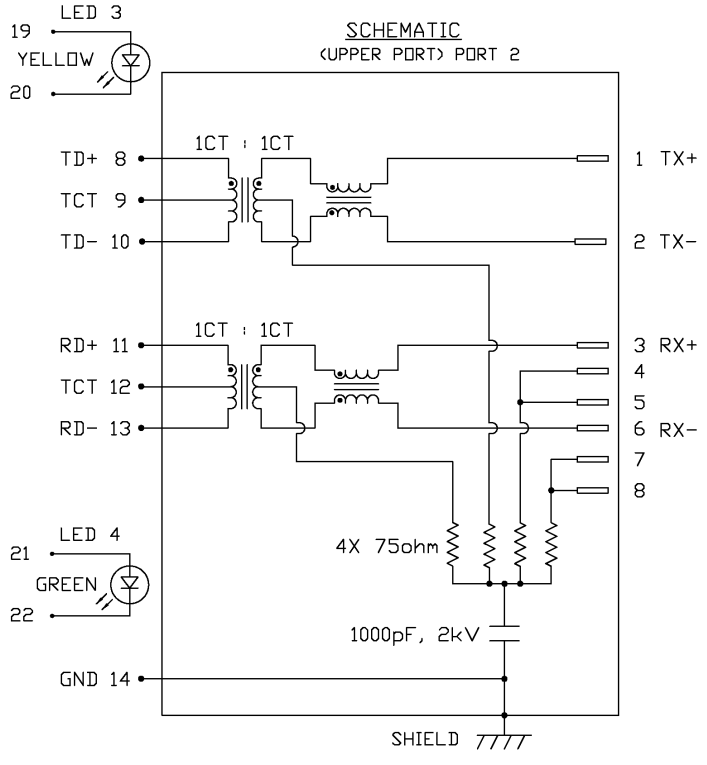


THE INFORMATION CONTAINED HEREIN IS CONSIDERED "PROPRIETARY" TO BEL FUSE INC. AND SHALL NOT BE COPIED, REPRODUCED OR DISCLOSED WITHOUT THE WRITTEN APPROVAL OF BEL FUSE INC.

LED 3 POLARITY			LED 4 POLARITY		
PIN 19	PIN 20	COLOR	PIN 21	PIN 22	COLOR
+	-	YELLOW	+	-	GREEN

ELECTRICAL CHARACTERISTICS @ 25°C

URNS RATIO	
TX	1CT : 1CT ±3%
RX	1CT : 1CT ±3%
DCL @ 100kHz/100mVRMS	
8mA DC BIAS	350µH MIN.
INS. LOSS	
1MHz TO 100MHz	-1.0 dB MAX
RET. LOSS (MIN)	
1MHz-30MHz	-18 dB
30MHz-60MHz	-18+20LOG(F/30MHz) dB
60MHz-80MHz	-12 dB
CROSS TALK (TX - RX)	
500kHz-1MHz	-70 dB MIN
10 MHz	-50 dB MIN
30 MHz	-45 dB MIN
50 MHz	-40 dB MIN
100 MHz	-35 dB MIN
CM TO CM REJ	
100kHz-1MHz	-70 dB MIN
10 MHz	-47 dB MIN
30 MHz	-42 dB MIN
60 MHz	-37 dB MIN
100 MHz	-30 dB MIN
CM TO DM REJ	
100kHz-1MHz	-70 dB MIN
10 MHz	-60 dB MIN
30 MHz	-50 dB MIN
60 MHz	-45 dB MIN
100 MHz	-40 dB MIN
HIPOT (Isolation Voltage):	
LED 3 (Super bright)	IF=20mA YELLOW 2.1V TYP.
V _F (FORWARD VOLTAGE)	IF=20mA YELLOW 590nm TYP.
λ _D (DOMINANT WAVELENGTH)	
LED 4 (Super bright)	IF=20mA GREEN 2.2V TYP.
V _F (FORWARD VOLTAGE)	IF=20mA GREEN 565nm TYP.
λ _D (DOMINANT WAVELENGTH)	



ORIGINATED BY	DATE	TITLE	PART NO. / DRAWING NO.	STANDARD DIM. TOL. IN INCH	[] METRIC DIM. AS REFERENCE	
CHUNG	12-14-05	2X1 MagJack® (with LED)	0845-2D1T-H5	.X	UNIT : INCH [mm]	REV. : B
DRAWN BY	DATE		FILE NAME	.XX	SCALE : N/A	SIZE : A4
DE	12-14-05		08452D1TH5B.DWG	.XXX		PAGE : 2





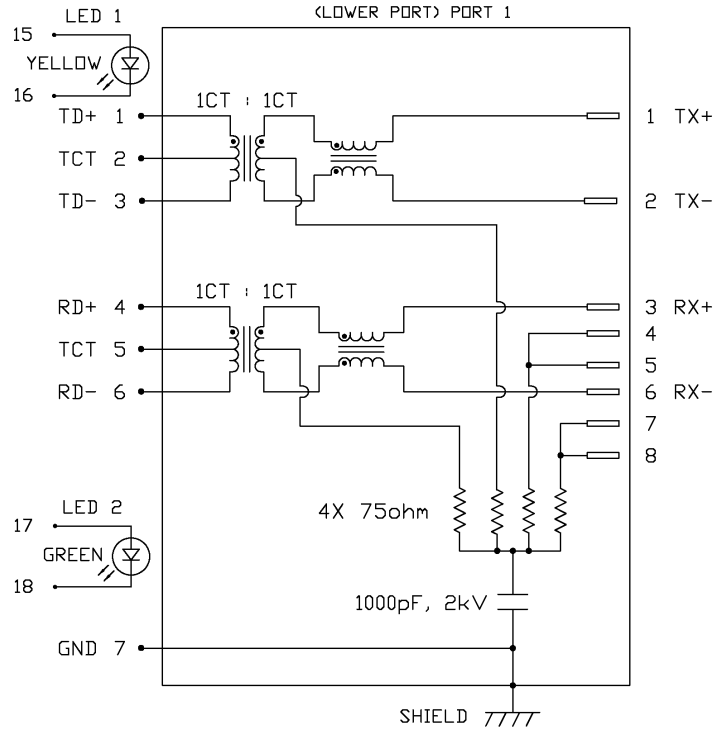
THE INFORMATION CONTAINED HEREIN IS CONSIDERED "PROPRIETARY" TO BEL FUSE INC. AND SHALL NOT BE COPIED, REPRODUCED OR DISCLOSED WITHOUT THE WRITTEN APPROVAL OF BEL FUSE INC.

LED 1 POLARITY			LED 2 POLARITY		
PIN 15	PIN 16	COLOR	PIN 17	PIN 18	COLOR
+	-	YELLOW	+	-	GREEN

ELECTRICAL CHARACTERISTICS @ 25°C

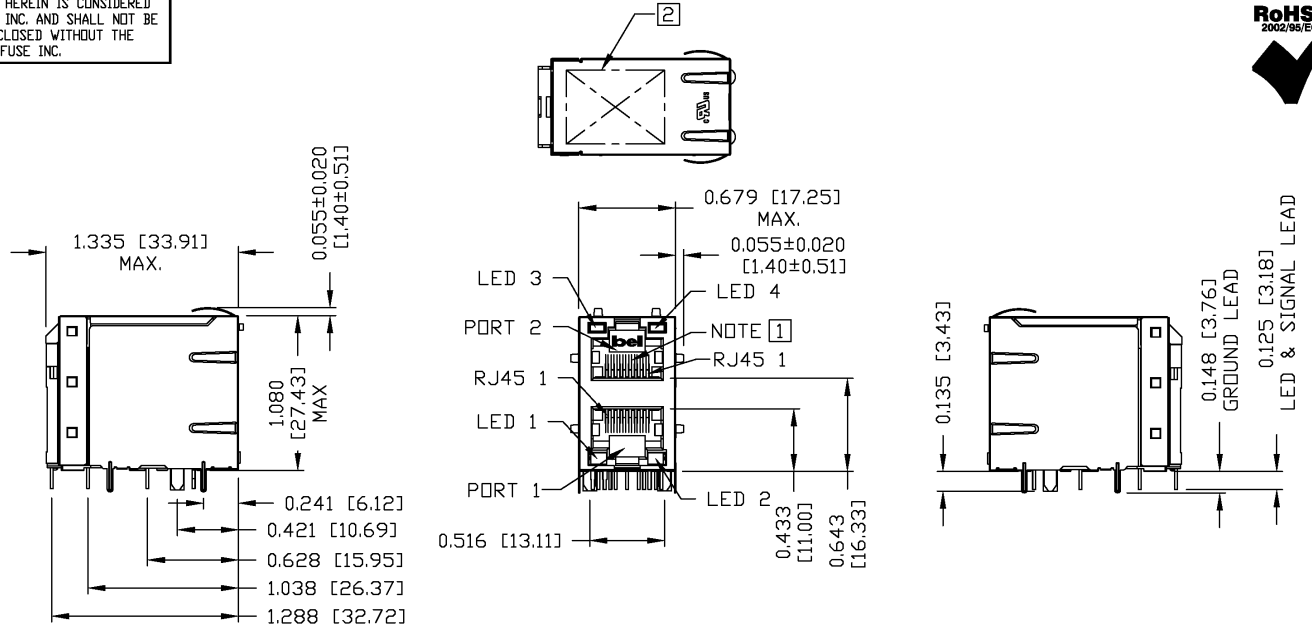
URNS RATIO TX RX DCL @ 100kHz/100mVRMS 8mA DC BIAS INS. LOSS 1MHz TO 100MHz RET. LOSS (MIN) 1MHz-30MHz 30MHz-60MHz 60MHz-80MHz CROSS TALK (TX - RX) 500kHz-1MHz 10 MHz 30 MHz 50 MHz 100 MHz CM TO CM REJ 100kHz-1MHz 10 MHz 30 MHz 60 MHz 100 MHz CM TO DM REJ 100kHz-1MHz 10 MHz 30 MHz 60 MHz 100 MHz HIPDT (Isolation Voltage) LED 1 VF (FORWARD VOLTAGE) IF=20mA YELLOW 2.1V TYP. λD (DOMINANT WAVELENGTH) IF=20mA YELLOW 590nm TYP. LED 2 VF (FORWARD VOLTAGE) IF=20mA GREEN 2.2V TYP. λD (DOMINANT WAVELENGTH) IF=20mA GREEN 565nm TYP.	1CT : 1CT ±3% 1CT : 1CT ±3% 350µH MIN. -1.0 dB MAX -18 dB -18+20LOG(F/30MHz) dB -12 dB -70 dB MIN -50 dB MIN -45 dB MIN -40 dB MIN -35 dB MIN -70 dB MIN -47 dB MIN -42 dB MIN -37 dB MIN -30 dB MIN -70 dB MIN -60 dB MIN -50 dB MIN -45 dB MIN -40 dB MIN 1500 Vrms
---	---

SCHEMATIC



ORIGINATED BY CHUNG DRAWN BY DE	DATE 12-14-05 12-14-05	TITLE 2X1 MagJack® (with LED)	PART NO. / DRAWING NO. 0845-2D1T-H5 FILE NAME 08452D1TH5B.DWG	STANDARD DIM. TOL. IN INCH .X .XX .XXX	[] METRIC DIM. AS REFERENCE UNIT : INCH [mm] SCALE : N/A REV. : B SIZE : A4 PAGE : 3	 COMPONENTS OF A CONNECTED PLANET
--	-------------------------------------	--	--	--	---	--

THE INFORMATION CONTAINED HEREIN IS CONSIDERED "PROPRIETARY" TO BEL FUSE INC. AND SHALL NOT BE COPIED, REPRODUCED OR DISCLOSED WITHOUT THE WRITTEN APPROVAL OF BEL FUSE INC.



NOTES:

- PLASTIC HOUSING: THERMOPLASTIC PBT
FLAMMABILITY RATING UL 94V-0
- CONTACT PLATING: 50 MICRO-INCH HARD GOLD PLATING
- OUTPUT PINS: TIN-COATED COPPER WIRE, DIA 0.018 INCH.
- METAL SHIELD: NICKEL PLATED ON COPPER ALLOY.
(ALL GROUND LEADS ARE SOLDER DIPPED)

- [1] JACK CAVITY CONFORMS TO FCC RULES AND REGULATIONS, PART 68 SUBPART F.
- [2] MARK PART WITH MFG LOGO, MFG NAME, PART NUMBER, AND DATE CODE.

RoHS COMPLIANCE, PER EU DIRECTIVE 2002/95/EC.
 c us UL RECOGNIZED - FILE #E196366 AND E169987.

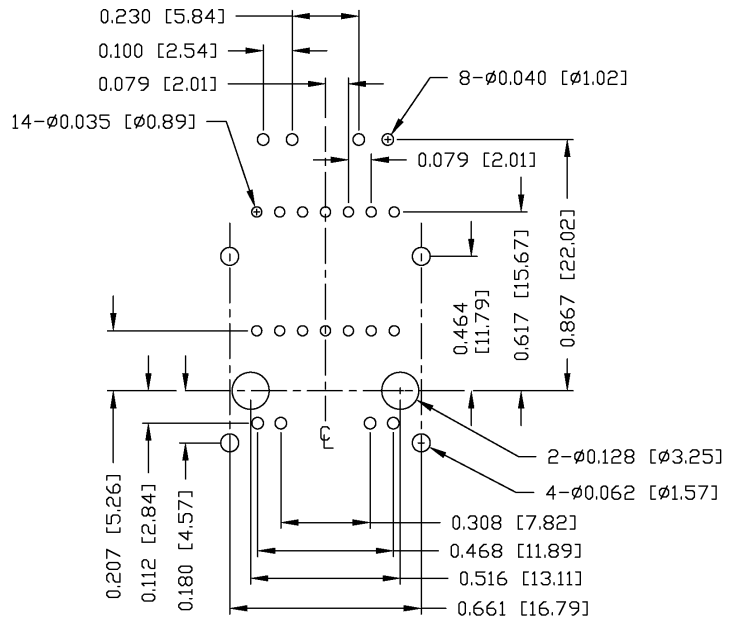
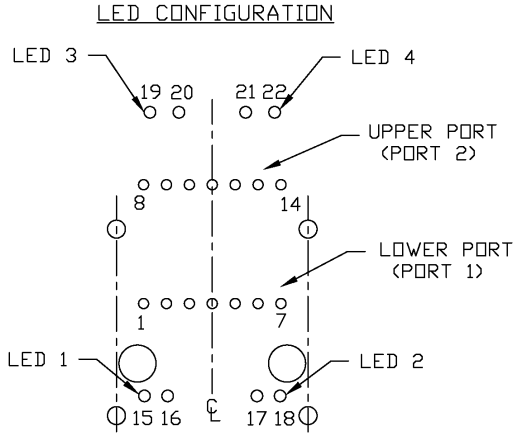
ORIGINATED BY BILL/KEUNG	DATE 12-14-05	TITLE 2X1 MagJack® (with LED)	PART NO. / DRAWING NO. 0845-2D1T-H5	STANDARD DIM. TOL. IN INCH .X .XX .XXX ±0.010	[] METRIC DIM. AS REFERENCE UNIT : INCH [mm] SCALE : N/A	REV. : B SIZE : A4 PAGE : 4	
DRAWN BY QIN	DATE 12-14-05		FILE NAME 08452D1TH5B.DWG				

DC002(2)032305

This document is electronically generated. This is a controlled copy if used internally



THE INFORMATION CONTAINED HEREIN IS CONSIDERED "PROPRIETARY" TO BEL FUSE INC. AND SHALL NOT BE COPIED, REPRODUCED OR DISCLOSED WITHOUT THE WRITTEN APPROVAL OF BEL FUSE INC.



PIN-OUT INFORMATION
(COMPONENT SIDE VIEW)
(SCALE 2:1)

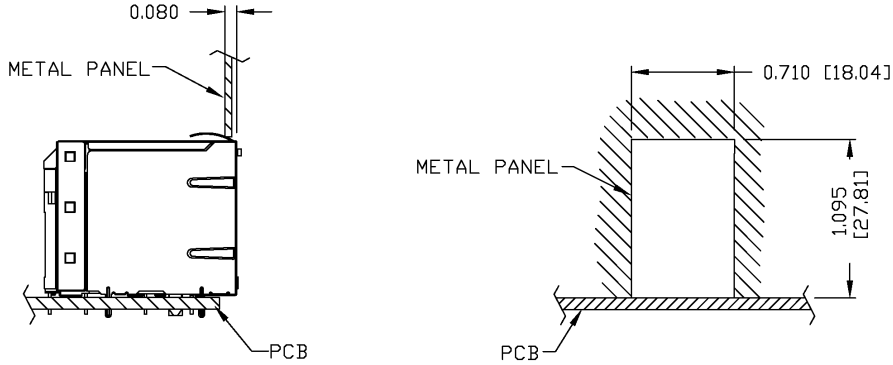
SUGGESTED FOOTPRINT
(COMPONENT SIDE VIEW)
(SCALE 2:1)

ORIGINATED BY BILL/KEUNG	DATE 12-14-05	TITLE 2X1 MagJack® (with LED)	PART NO. / DRAWING NO. 0845-2D1T-H5	STANDARD DIM. TOL. IN INCH	[] METRIC DIM. AS REFERENCE	REV. : B	bel COMPONENTS ON A CONNECTED PLANET
DRAWN BY QIN	DATE 12-14-05		FILE NAME 08452D1TH5B.DWG	.X .XX .XXX ±0.010	UNIT : INCH [mm] SCALE : N/A		



THE INFORMATION CONTAINED HEREIN IS CONSIDERED 'PROPRIETARY' TO BEL FUSE INC. AND SHALL NOT BE COPIED, REPRODUCED OR DISCLOSED WITHOUT THE WRITTEN APPROVAL OF BEL FUSE INC.

SUGGESTED PANEL OPENING



NOTE:

THE DISTANCE OF PANEL INSIDE SURFACE RELATIVE TO FRONT SURFACE OF PART IS ONLY A SUGGESTION. IN CASE THIS DISTANCE IS DIFFERENT, THE REQUIRED PANEL OPENING DIMENSIONS CHANGE ACCORDINGLY.

PACKING INFORMATION

PACKING TRAY: 0200-9999-H5 (TOP)
0200-9999-H6 (BOTTOM)

PACKING QUANTITY: 40 PCS FINISHED GOODS PER TRAY
6 TRAYS (240 PCS FINISHED GOODS) PER CARTON BOX.

NOTE: CARDBOARD ARE PLACED BETWEEN LAYERS OF PACKING TRAY INSIDE CARTON BOX.
(INCLUDE THE UPPERMOST AND LOWEREST TRAY)

ORIGINATED BY BILL/KEUNG	DATE 12-14-05	TITLE 2X1 MagJack® (with LED)	PART NO. / DRAWING NO. 0845-2D1T-H5	STANDARD DIM. TOL. IN INCH		[] METRIC DIM. AS REFERENCE		
DRAWN BY QIN	DATE 12-14-05		FILE NAME 08452D1TH5B.DWG	.X .XX .XXX	±0.005	UNIT : INCH [mm] SCALE : N/A	REV. : B SIZE : A4 PAGE : 6	