



# FSA839 — Low-Voltage, 0.8Ω SPDT Analog Switch with Power-Off Isolation

## Features

- Power-Off Isolation ( $V_{CC}=0\text{ V}$ )
- 0.8 Ω Maximum On Resistance ( $R_{ON}$ ) for 4.5 V  $V_{CC}$
- 0.25 Ω Maximum  $R_{ON}$  Flatness for 4.5 V  $V_{CC}$
- Broad  $V_{CC}$  Operating Range: 1.65 V to 5.5 V
- Fast Turn-On and Turn-Off Times
- Control Input Switching Thresholds Independent of  $V_{CC}$
- Break-Before-Make Enable Circuitry
- 0.4 mm WLCSP Packaging
- ESD Performance
  - HBM per JESD22-A114, I/O to GND: 8 kV
  - CDM per JESD22-C101: 500 V
  - IEC61000-4-2 Contact / Air: 8 kV / 15 kV

## Description

The FSA839 is a high-performance Single-Pole / Double-Throw (SPDT) analog switch for audio applications driven by low-voltage (1.8 V) baseband processors or ASICs. The device features ultra-low  $R_{ON}$  of 0.8 Ω (maximum) at 4.5 V  $V_{CC}$  and operates over the wide  $V_{CC}$  range of 1.65 V to 5.5 V. The device is fabricated with sub-micron CMOS technology to achieve fast switching speeds and is designed for break-before-make operation.

The FSA839 interfaces between the low-voltage ASIC and regular audio amplifiers and CODECs operating up to a 5.5 V supply range. The control circuitry allows for 1.8 V (typical) signals on the control pin (Sel).

## Applications

- Cellular Phone
- Portable Media Player
- PDA

## Ordering Information

| Part Number | Operating Temperature Range | Top Mark | Package                    | Packing Method |
|-------------|-----------------------------|----------|----------------------------|----------------|
| FSA839UCX   | -40°C to +85°C              | N3       | 6-Ball WLCSP, 0.4 mm Pitch | Tape and Reel  |

For Fairchild's definition of "green" Eco Status, please visit: [http://www.fairchildsemi.com/company/green/rohs\\_green.html](http://www.fairchildsemi.com/company/green/rohs_green.html).

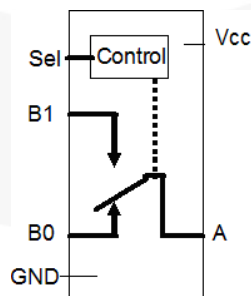
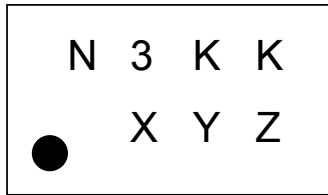


Figure 1. Analog Symbol

## Marking Information



KK = Lot Run Code  
 X = Year  
 Y = Work Week  
 Z = Assembly Site

Figure 2. Top Mark with Pin 1 Orientation

## Ball Configuration

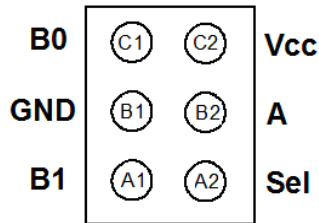


Figure 3. Pin Assignments (Bottom View)

## Ball Definitions

| Ball | Name            | Description                  |
|------|-----------------|------------------------------|
| A1   | B1              | Data Port (Normally Open)    |
| B1   | GND             | Ground                       |
| C1   | B0              | Data Ports (Normally Closed) |
| C2   | V <sub>CC</sub> | Supply Voltage               |
| B2   | A               | Common Data Port             |
| A2   | Sel             | Control Input                |

## Truth Table

| Control Input (Sel) | Function          |
|---------------------|-------------------|
| LOW                 | B0 connected to A |
| HIGH                | B1 connected to A |

## Absolute Maximum Ratings

Stresses exceeding the absolute maximum ratings may damage the device. The device may not function or be operable above the recommended operating conditions and stressing the parts to these levels is not recommended. In addition, extended exposure to stresses above the recommended operating conditions may affect device reliability. The absolute maximum ratings are stress ratings only.

| Symbol       | Parameter  | Min.          | Max.           | Unit |    |
|--------------|--|---------------|----------------|------|----|
| $V_{CC}$     | Supply Voltage   | -0.5          | 6.5            | V    |    |
| $V_{SW}$     | Switch Voltage <sup>(1)</sup>  | -0.5          | $V_{CC} + 0.5$ | V    |    |
| $V_{IN}$     | Input Voltage <sup>(1)</sup>   | -0.5          | 6.5            | V    |    |
| $I_{IK}$     | Input Diode Current  |               | -50            | mA   |    |
| $I_{SW}$     | Switch Current (Continuous)  |               | 200            | mA   |    |
| $I_{SWPEAK}$ | Peak Switch Current (Pulsed at 1 ms Duration, <10% Duty Cycle)                               |               | 400            | mA   |    |
| $P_D$        | Power Dissipation at 85°C  |               | 180            | mW   |    |
| $T_{STG}$    | Storage Temperature Range  | -65           | +150           | °C   |    |
| $T_J$        | Maximum Junction Temperature   |               | +150           | °C   |    |
| $T_L$        | Lead Temperature (Soldering, 10 Seconds)   |               | +260           | °C   |    |
| ESD          | Human Body Model (JEDEC: JESD22-A114)  | I/O to GND: A | 8              | kV   |    |
|              |  | All Pins      | 2              |      |    |
|              | Charged Device Model (JEDEC: JESD22-C101)  |               |                | 500  | V  |
|              | Machine Model (JEDEC: JESD22-A115)   |               |                | 100  | V  |
|              | IEC6100-4-2 Discharge System Test Performed on Fairchild's FSA859 Applications Testing Board | Contact       |                | 8    | kV |
| Air          |  |               | 15             |      |    |

### Note:

- The input and output negative ratings may be exceeded if the input and output diode current ratings are observed.

## Recommended Operating Conditions

The Recommended Operating Conditions table defines the conditions for actual device operation. Recommended operating conditions are specified to ensure optimal performance to the datasheet specifications. Fairchild does not recommend exceeding them or designing to Absolute Maximum Ratings.

| Symbol        | Parameter                     | Min. | Max.     | Unit |
|---------------|-------------------------------|------|----------|------|
| $V_{CC}$      | Supply Voltage                | 1.65 | 5.50     | V    |
| SEL           | Control Input Voltage         | 0    | 1.95     | V    |
| $V_{SW}$      | Switch Input Voltage          | 0    | $V_{CC}$ | V    |
| $T_A$         | Operating Temperature         | -40  | +85      | °C   |
| $\theta_{JA}$ | Thermal Resistance, Still Air |      | 350      | °C/W |

## DC Electrical Characteristics

All typical values are at 25°C unless otherwise specified.

| Symbol   | Parameter   | V <sub>CC</sub> (V) | Conditions  | T <sub>A</sub> =+25°C |      |      | T <sub>A</sub> =-40 to +85°C |      | Unit |
|--|---|---------------------|---|-----------------------|------|------|------------------------------|------|------|
|  |   |                     |   | Min.                  | Typ. | Max. | Min.                         | Max. |      |
| V <sub>IH</sub>                                | Input Voltage High  | 1.65 to 5.50        |   |                       |      |      | 1.0                          |      | V    |
| V <sub>IL</sub>                                | Input Voltage Low   | 1.65 to 5.50        |   |                       |      |      |                              | 0.57 | V    |
| I <sub>IN</sub>                                | Control Input Leakage                                       | 1.95 to 5.50        | V <sub>Sel</sub> =0   | -2                    |      | 2    | -20                          | 20   | nA   |
| I <sub>NO(OFF)</sub> ,<br>I <sub>NC(OFF)</sub> | Off-Leakage Current of Port B0 and B1 <sup>(5)</sup>        | 5.50                | A=1 V, 4.5 V<br>B0 or B1=4.5, 1 V   | -10                   |      | 10   | -50                          | 50   | nA   |
|  |   | 3.60                | A=1 V, 3.0V<br>B0 or B1=3.0, 1V   | -10                   |      | 10   | -50                          | 50   |      |
|  |   | 2.70                | A=0.5 V, 2.3 V<br>B0 or B1=2.3, 0.5V  | -10                   |      | 10   | -50                          | 50   |      |
|  |   | 1.95                | A=0.3 V, 1.65 V<br>B0 or B1=1.65, 0.3 V   | -5                    |      | 5    | -20                          | 20   |      |
| I <sub>NO(On)</sub> ,<br>I <sub>NC(On)</sub>   | On-Leakage Current of Port B0 and B1 <sup>(5)</sup>         | 5.50                | A=Floating<br>B0 or B1=4.5, 1V  | -20                   |      | 20   | -100                         | 100  | nA   |
|  |   | 3.60                | A=Floating<br>B0 or B1=3.0, 1 V   | -10                   |      | 10   | -20                          | 20   |      |
|  |   | 2.70                | A=Floating<br>B0 or B1=2.3, 0.5 V   | -10                   |      | 10   | -20                          | 20   |      |
|  |   | 1.95                | A=Floating<br>B0 or B1=1.65, 0.3 V  | -5                    |      | 5    | -20                          | 20   |      |
| I <sub>A(ON)</sub>                             | On Leakage Current of Port A <sup>(5)</sup>                 | 5.50                | A=1 V, 4.5 V; B0 or B1=1 V, 4.5 V, or Floating                                    | -20                   |      | 20   | -100                         | 100  | nA   |
|  |   | 3.60                | A=1V, 3.0VB0 or B1=1V, 3.0V, or Floating  | -10                   |      | 10   | -20                          | 20   |      |
|  |   | 2.70                | A=0.5 V, 2.3 V, B0 or B1=0.5 V, 2.3 V, or Floating                                | -10                   |      | 10   | -20                          | 20   |      |
|  |   | 1.95                | A=0.3 V, 1.65 V; B0 or B1=0.3 V, 1.65 V, or Floating                              | -5                    |      | 5    | -20                          | 20   |      |
| I <sub>OFF</sub>                               | Power Off Leakage Current of Port A & Port B <sup>(5)</sup> | 0                   | A=0 to 5.5 V<br>B0 or B1=0 to 5.5 V   | -1.00                 | 0.01 | 1.00 | -5.00                        | 5.00 | μA   |
| R <sub>PD</sub>                                | Sel Internal Pull-Down Resistor                             | 1.65 to 1.95        |   |                       | 2.0  |      |                              |      | MΩ   |
| I <sub>CC</sub>                                | Quiescent Supply Current                                    | 5.50                | V <sub>IN</sub> , V <sub>SEL</sub> =0 or V <sub>CC</sub> ,<br>I <sub>OUT</sub> =0 |                       |      | 100  |                              | 500  | nA   |
|  |   | 3.60                | V <sub>IN</sub> , V <sub>SEL</sub> =0 or V <sub>CC</sub> ,<br>I <sub>OUT</sub> =0 |                       |      | 75   |                              | 300  |      |
|  |   | 2.70                | V <sub>IN</sub> , V <sub>SEL</sub> =0 or V <sub>CC</sub> ,<br>I <sub>OUT</sub> =0 |                       |      | 50   |                              | 250  |      |
|  |   | 1.95                | V <sub>IN</sub> , V <sub>SEL</sub> =0 or V <sub>CC</sub> ,<br>I <sub>OUT</sub> =0 |                       |      | 25   |                              | 150  |      |

Continued on the following page...

### DC Electrical Characteristics (Continued)

All typical values are at 25°C unless otherwise specified.

| Symbol                | Parameter  | V <sub>CC</sub> (V) | Conditions   | T <sub>A</sub> =+25°C |       |       | T <sub>A</sub> =-40 to +85°C |       | Unit |
|-----------------------|--|---------------------|--|-----------------------|-------|-------|------------------------------|-------|------|
|                       |  |                     |  | Min.                  | Typ.  | Max.  | Min.                         | Max.  |      |
| I <sub>CC1</sub>      | Increase in I <sub>CC</sub> per Control Input            | 5.50                | V <sub>SEL</sub> = 1.8 V                               |                       | 26    | 40    |                              | 50    | μA   |
|                       |  | 3.60                | V <sub>SEL</sub> = 1.8 V                               |                       | 5     | 15    |                              | 20    |      |
|                       |  | 2.70                | V <sub>SEL</sub> = 1.8 V                               |                       | 1     | 5     |                              | 10    |      |
|                       |  | 1.95                | V <sub>SEL</sub> = 1.8 V                               |                       | 0.01  | 1.00  |                              | 3.00  |      |
| I <sub>CCZ</sub>      | Supply Current Sleep                                     | 5.50                | V <sub>IN</sub> , V <sub>SEL</sub> = Floating          |                       |       | 0.5   |                              | 1.0   | μA   |
| R <sub>ON</sub>       | Switch On Resistance <sup>(2,5)</sup>                    | 4.50                | I <sub>OUT</sub> =-100 mA, B0 or B1=2.5 V              |                       | 0.50  | 0.75  |                              | 0.80  | Ω    |
|                       |  | 3.00                | I <sub>OUT</sub> =-100 mA, B0 or B1=2.0 V              |                       | 0.75  | 0.90  |                              | 1.20  |      |
|                       |  | 2.25                | I <sub>OUT</sub> =-100 mA, B0 or B1=1.8 V              |                       | 1.0   | 1.3   |                              | 1.6   |      |
|                       |  | 1.65                | I <sub>OUT</sub> =-100 mA, B0 or B1=1.2 V              |                       | 2.5   | 5.0   |                              | 7.0   |      |
| Δ R <sub>ON</sub>     | On Resistance Matching Between Channels <sup>(3,5)</sup> | 4.50                | I <sub>OUT</sub> =-100 mA, B0 or B1=2.5 V              |                       | 0.05  | 0.10  |                              | 0.10  | Ω    |
|                       |  | 3.00                | I <sub>OUT</sub> =-100 mA, B0 or B1=2.0 V              |                       | 0.10  | 0.15  |                              | 0.15  |      |
|                       |  | 2.25                | I <sub>OUT</sub> =-100 mA, B0 or B1=1.8 V              |                       | 0.15  | 0.20  |                              | 0.20  |      |
|                       |  | 1.65                | I <sub>OUT</sub> =-100 mA, B0 or B1=1.2 V              |                       | 0.15  | 0.40  |                              | 0.40  |      |
| R <sub>FLAT(ON)</sub> | On Resistance Flatness <sup>(4,5)</sup>                  | 4.50                | I <sub>OUT</sub> =-100 mA, B0 or B1=1.0V, 1.5 V, 2.5 V |                       | 0.075 | 0.250 |                              | 0.250 | Ω    |
|                       |  | 3.00                | I <sub>OUT</sub> =-100 mA, B0 or B1=0.8 V, 2.0 V       |                       | 0.1   | 0.3   |                              | 0.3   |      |
|                       |  | 2.25                | I <sub>OUT</sub> =-100 mA, B0 or B1=0.8 V, 1.8 V       |                       | 0.25  | 0.50  |                              | 0.60  |      |
|                       |  | 1.65                | I <sub>OUT</sub> =-100mA, B0 or B1=0.6 V, 1.2 V        |                       | 3.5   |       |                              |       |      |

**Notes:**

2. On resistance is determined by the voltage drop between A and B pins at the indicated current through the switch.
3. Δ R<sub>ON</sub>=R<sub>ON</sub> maximum – R<sub>ON</sub> minimum; measured at identical V<sub>CC</sub>, temperature, and voltage.
4. Flatness is defined as the difference between the maximum and minimum value of on resistance over the specified range of conditions.
5. Guaranteed by characterization, not production tested for V<sub>CC</sub>=1.65 – 1.95 V.

## AC Electrical Characteristics

All typical value are at  $V_{CC}=1.8\text{ V}$ ,  $2.5\text{ V}$ ,  $3.0\text{ V}$ , and  $5.0\text{ V}$  at  $25^\circ\text{C}$  unless otherwise specified.

| Symbol    | Parameter                             | $V_{CC}$ (V) | Conditions   | $T_A=+25^\circ\text{C}$ |      |      | $T_A=-40\text{ to }+85^\circ\text{C}$ |      | Unit | Figure    |
|-----------|---------------------------------------|--------------|--|-------------------------|------|------|---------------------------------------|------|------|-----------|
|           |                                       |              |  | Min.                    | Typ. | Max. | Min.                                  | Max. |      |           |
| $t_{ON}$  | Turn-On Time <sup>(6)</sup>           | 4.50 to 5.50 | $B0\text{ or }B1=V_{CC}$ ,<br>$R_L=50\ \Omega$ ,<br>$C_L=35\text{ pF}$                   | 1.0                     | 12.0 | 25.0 | 1.0                                   | 30.0 | ns   | Figure 4  |
|           |                                       | 3.00 to 3.60 |  | 5.0                     | 15.0 | 30.0 | 3.0                                   | 35.0 |      |           |
|           |                                       | 2.30 to 2.70 |  | 5.0                     | 20.0 | 35.0 | 5.0                                   | 40.0 |      |           |
|           |                                       | 1.65 to 1.95 |  | 10.0                    | 50.0 | 70.0 | 10.0                                  | 75.0 |      |           |
| $t_{OFF}$ | Turn-Off Time <sup>(6)</sup>          | 4.50 to 5.50 | $B0\text{ or }B1=V_{CC}$ ,<br>$R_L=50\ \Omega$ ,<br>$C_L=35\text{ pF}$                   | 1.0                     | 9.5  | 20.0 | 1.0                                   | 25.0 | ns   | Figure 4  |
|           |                                       | 3.00 to 3.60 |  | 1.0                     | 9.0  | 20.0 | 1.0                                   | 25.0 |      |           |
|           |                                       | 2.30 to 2.70 |  | 2.0                     | 10.0 | 20.0 | 2.0                                   | 25.0 |      |           |
|           |                                       | 1.65 to 1.95 |  | 2.0                     | 28.0 | 40.0 | 2.0                                   | 50.0 |      |           |
| $t_{BBM}$ | Break-Before-Make Time <sup>(7)</sup> | 4.50 to 5.50 | $B0\text{ or }B1=V_{CC}/2$ ,<br>$R_L=50\ \Omega$ ,<br>$C_L=35\text{ pF}$                 | 1.0                     | 10.0 | 12.0 | 0.1                                   | 14.0 | ns   | Figure 5  |
|           |                                       | 3.00 to 3.60 |  | 1.0                     | 14.0 | 16.0 | 1.0                                   | 17.0 |      |           |
|           |                                       | 2.30 to 2.70 |  | 1.0                     | 21.0 | 25.0 | 1.0                                   | 27.0 |      |           |
|           |                                       | 1.65 to 1.95 |  |                         | 35.0 |      | 2.0                                   | 50.0 |      |           |
| Q         | Charge Injection                      | 5.50         | $C_L=1.0\text{ nF}$ ,<br>$V_{GEN}=0\text{ V}$ ,<br>$R_{GEN}=0\ \Omega$                   |                         | 70   |      |                                       |      | pC   | Figure 7  |
|           |                                       | 3.30         |  |                         | 40   |      |                                       |      |      |           |
|           |                                       | 2.50         |  |                         | 30   |      |                                       |      |      |           |
|           |                                       | 1.65         |  |                         | 10   |      |                                       |      |      |           |
| OIRR      | Off Isolation                         | 1.8 to 5.0   | $f=1\text{ MHz}$ ,<br>$R_L=50\ \Omega$   |                         | -55  |      |                                       |      | dB   | Figure 6  |
| Xtalk     | Crosstalk                             | 1.8 to 5.0   | $f=1\text{ MHz}$ ,<br>$R_L=50\ \Omega$   |                         | 55   |      |                                       |      | dB   | Figure 6  |
| BW        | -3 db Bandwidth                       | 5.50         | $R_L=50\ \Omega$   |                         | 60   |      |                                       |      | MHz  | Figure 9  |
|           |                                       | 3.30         |  |                         | 60   |      |                                       |      |      |           |
|           |                                       | 2.50         |  |                         | 55   |      |                                       |      |      |           |
|           |                                       | 1.65         |  |                         | 50   |      |                                       |      |      |           |
| THD       | Total Harmonic Distortion             | 1.80         | $R_L=600\ \Omega$ ,<br>$V_{IN}=0.5\text{ V}_{PP}$ ,<br>$f=20\text{ Hz to }20\text{ kHz}$ |                         | .02  |      |                                       |      | %    | Figure 10 |
|           |                                       | 5.00         |  |                         | .001 |      |                                       |      |      |           |
| PSRR      | Power Supply Rejection Ratio          | 3.3          | $f=217\text{ Hz on }V_{CC}$<br>at $500\text{ mvpp}$                                      |                         | -23  |      |                                       |      | dB   | Figure 11 |

### Notes:

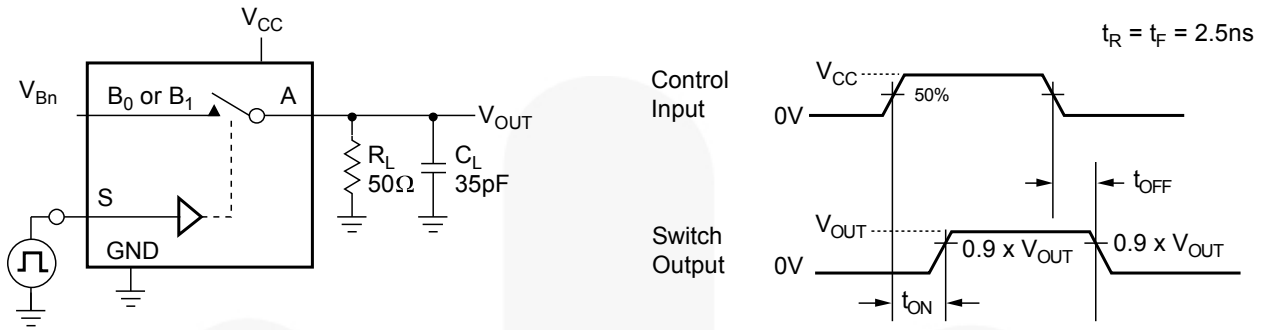
6. Guaranteed by characterization, not production tested for  $V_{CC}=1.65 - 1.95\text{ V}$ .

7. Guaranteed by characterization, not production tested.

### Capacitance

| Symbol    | Parameter                     | $V_{CC}$ (V) | Conditions       | $T_A=+25^\circ\text{C}$ |      |      | Unit |
|-----------|-------------------------------|--------------|------------------|-------------------------|------|------|------|
|           |                               |              |                  | Min.                    | Typ. | Max. |      |
| $C_{IN}$  | Control Pin Input Capacitance | 0            | $f=1\text{ MHz}$ |                         | 3.2  |      | pF   |
| $C_{OFF}$ | B Port Off Capacitance        | 1.65 to 5.50 | $f=1\text{ MHz}$ |                         | 50   |      | pF   |
| $C_{ON}$  | A Port On Capacitance         | 1.65 to 5.50 | $f=1\text{ MHz}$ |                         | 150  |      | pF   |

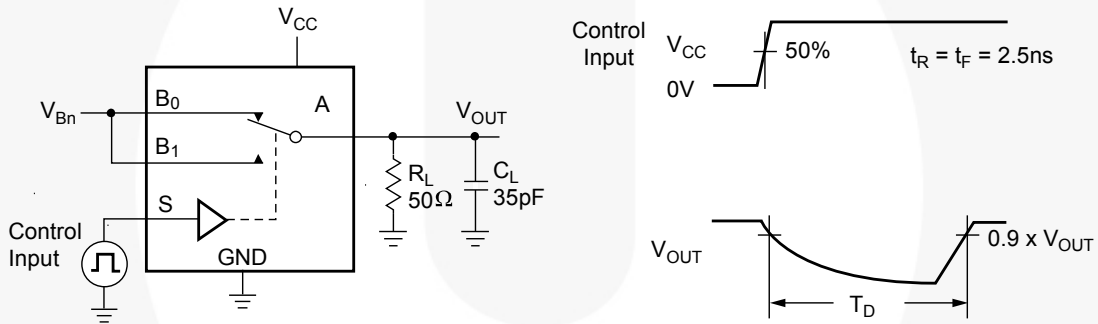
### Test Diagrams



$C_L$  includes fixture and stray capacitance.

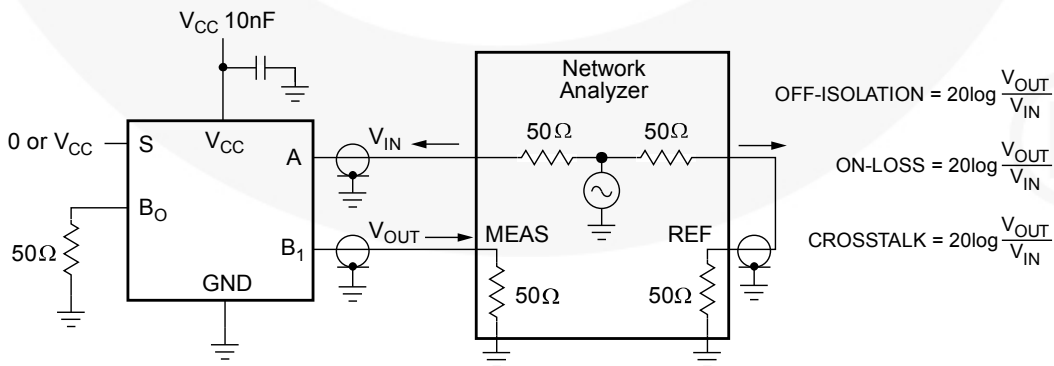
Logic input waveforms inverted for switches that have the opposite logic sense.

**Figure 4. Turn On / Off Timing**



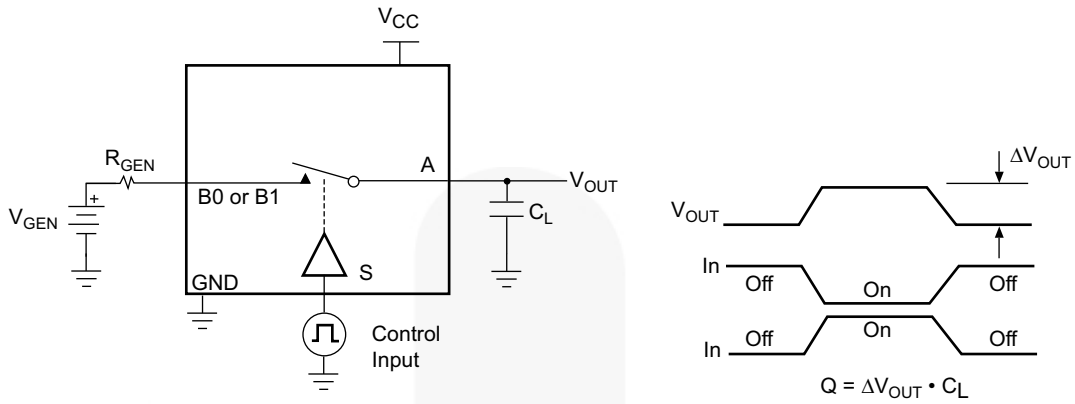
$C_L$  includes fixture and stray capacitance.

**Figure 5. Break-Before-Make Timing**

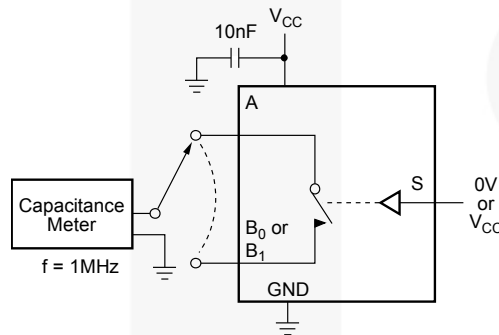


**Figure 6. Off Isolation and Crosstalk**

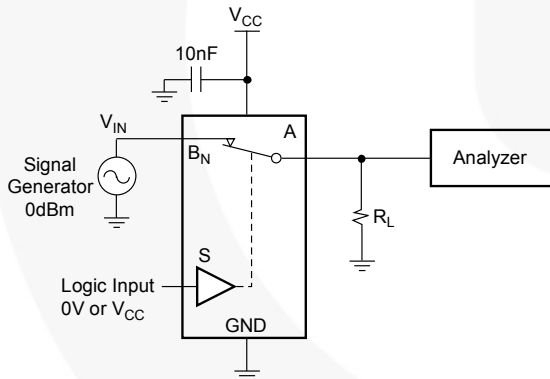
**Test Diagrams (Continued)**



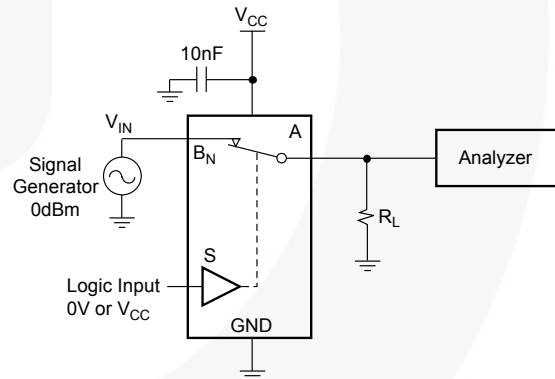
**Figure 7. Charge Injection**



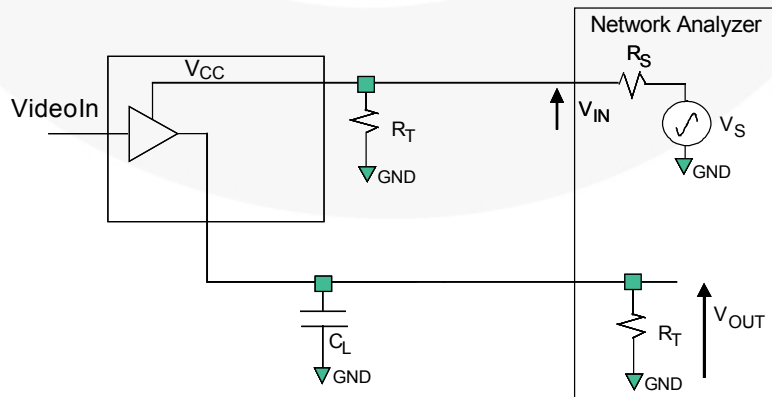
**Figure 8. On / Off Capacitance Measurement Setup**



**Figure 9. Bandwidth**



**Figure 10. Harmonic Distortion**



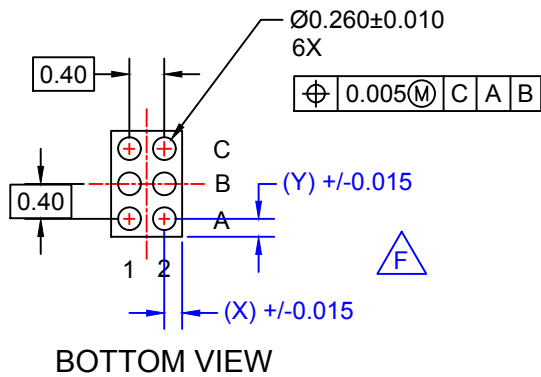
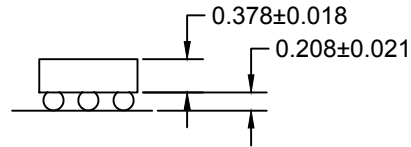
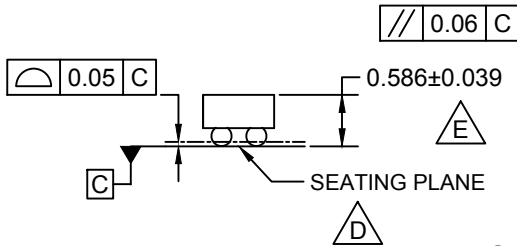
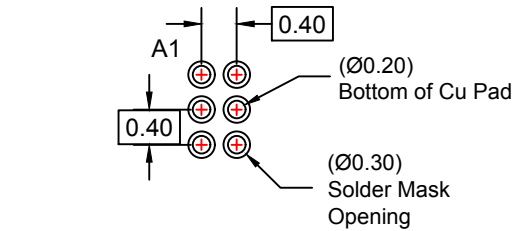
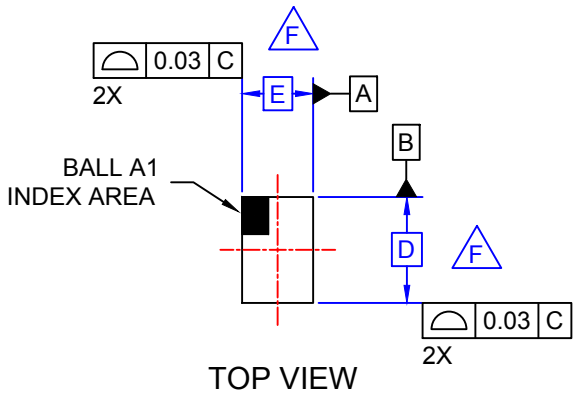
**Figure 11. PSRR**



### Product Specific Dimensions

| Product   | D           | E           | X     | Y     |
|-----------|-------------|-------------|-------|-------|
| FSA839UCX | 1.160 ±.030 | 0.760 ±.030 | 0.180 | 0.180 |





**NOTES:**

- A. NO JEDEC REGISTRATION APPLIES.
- B. DIMENSIONS ARE IN MILLIMETERS.
- C. DIMENSIONS AND TOLERANCES PER ASMEY14.5M, 2009.
- D.** DATUM C, THE SEATING PLANE IS DEFINED BY THE SPHERICAL CROWNS OF THE BALLS.
- E.** PACKAGE TYPICAL HEIGHT IS 586 MICRONS ±39 MICRONS (547-625 MICRONS).
- F.** FOR DIMENSIONS D, E, X, AND Y, SEE PRODUCT DATASHEET.
- G. DRAWING FILENAME: MKT-UC006ACrev6.





**TRADEMARKS**

The following includes registered and unregistered trademarks and service marks, owned by Fairchild Semiconductor and/or its global subsidiaries, and is not intended to be an exhaustive list of all such trademarks.

- |                          |  |                                       |                  |
|--------------------------|--|---------------------------------------|------------------|
| AccuPower™               | F-PFS™   | OPTOPLANAR®                           | SYSTEM GENERAL®  |
| AttitudeEngine™          | FRFET®   | Power Supply WebDesigner™             | TinyBoost®       |
| Awinda®                  | Global Power Resource <sup>SM</sup>            | PowerTrench®                          | TinyBuck®        |
| AX-CAP®*                 | GreenBridge™                                   | PowerXS™                              | TinyCalc™        |
| BitSiC™                  | Green FPS™                                     | Programmable Active Droop™            | TinyLogic®       |
| Build it Now™            | Green FPS™ e-Series™                           | QFET®                                 | TINYOPTO™        |
| CorePLUS™                | Gmax™  | QS™                                   | TinyPower™       |
| CorePOWER™               | GTO™   | Quiet Series™                         | TinyPWM™         |
| CROSSVOL™                | IntelliMAX™                                    | RapidConfigure™                       | TinyWire™        |
| CTL™                     | ISOPLANAR™                                     | Saving our world, 1mW/W/kW at a time™ | TranSiC™         |
| Current Transfer Logic™  | Making Small Speakers Sound Louder and Better™ | SignalWise™                           | TriFault Detect™ |
| DEUXPEED®                | MegaBuck™                                      | SmartMax™                             | TRUECURRENT®*    |
| Dual Cool™               | MICROCOUPLER™                                  | SMART START™                          | μSerDes™         |
| EcoSPARK®                | MicroFET™                                      | Solutions for Your Success™           | UHC®             |
| EfficientMax™            | MicroPak™                                      | SPM®                                  | Ultra FRFET™     |
| ESBC™                    | MicroPak2™                                     | STEALTH™                              | UniFET™          |
| F <sup>®</sup>           | MillerDrive™                                   | SuperFET®                             | Vcx™             |
| Fairchild®               | MotionMax™                                     | SuperSOT™-3                           | VisualMax™       |
| Fairchild Semiconductor® | MotionGrid®                                    | SuperSOT™-6                           | VoltagePlus™     |
| FACT Quiet Series™       | MTi®   | SuperSOT™-8                           | XST™             |
| FACT®                    | MTx®   | SupreMOS®                             | Xsens™           |
| FastvCore™               | MVN®   | SyncFET™                              | 仙童®              |
| FETBench™                | mWSaver®                                       | Sync-Lock™                            |                  |
| FPS™                     | OptoHiT™                                       |                                       |                  |
|                          | OPTOLOGIC®                                     |                                       |                  |

\* Trademarks of System General Corporation, used under license by Fairchild Semiconductor.

**DISCLAIMER**

FAIRCHILD SEMICONDUCTOR RESERVES THE RIGHT TO MAKE CHANGES WITHOUT FURTHER NOTICE TO ANY PRODUCTS HEREIN TO IMPROVE RELIABILITY, FUNCTION, OR DESIGN. TO OBTAIN THE LATEST, MOST UP-TO-DATE DATASHEET AND PRODUCT INFORMATION, VISIT OUR WEBSITE AT [HTTP://WWW.FAIRCHILDSEMI.COM](http://www.fairchildsemi.com). FAIRCHILD DOES NOT ASSUME ANY LIABILITY ARISING OUT OF THE APPLICATION OR USE OF ANY PRODUCT OR CIRCUIT DESCRIBED HEREIN; NEITHER DOES IT CONVEY ANY LICENSE UNDER ITS PATENT RIGHTS, NOR THE RIGHTS OF OTHERS. THESE SPECIFICATIONS DO NOT EXPAND THE TERMS OF FAIRCHILD'S WORLDWIDE TERMS AND CONDITIONS, SPECIFICALLY THE WARRANTY THEREIN, WHICH COVERS THESE PRODUCTS.

**AUTHORIZED USE**

Unless otherwise specified in this data sheet, this product is a standard commercial product and is not intended for use in applications that require extraordinary levels of quality and reliability. This product may not be used in the following applications, unless specifically approved in writing by a Fairchild officer: (1) automotive or other transportation, (2) military/aerospace, (3) any safety critical application – including life critical medical equipment – where the failure of the Fairchild product reasonably would be expected to result in personal injury, death or property damage. Customer's use of this product is subject to agreement of this Authorized Use policy. In the event of an unauthorized use of Fairchild's product, Fairchild accepts no liability in the event of product failure. In other respects, this product shall be subject to Fairchild's Worldwide Terms and Conditions of Sale, unless a separate agreement has been signed by both Parties.

**ANTI-COUNTERFEITING POLICY**

Fairchild Semiconductor Corporation's Anti-Counterfeiting Policy. Fairchild's Anti-Counterfeiting Policy is also stated on our external website, [www.fairchildsemi.com](http://www.fairchildsemi.com), under Terms of Use

Counterfeiting of semiconductor parts is a growing problem in the industry. All manufacturers of semiconductor products are experiencing counterfeiting of their parts. Customers who inadvertently purchase counterfeit parts experience many problems such as loss of brand reputation, substandard performance, failed applications, and increased cost of production and manufacturing delays. Fairchild is taking strong measures to protect ourselves and our customers from the proliferation of counterfeit parts. Fairchild strongly encourages customers to purchase Fairchild parts either directly from Fairchild or from Authorized Fairchild Distributors who are listed by country on our web page cited above. Products customers buy either from Fairchild directly or from Authorized Fairchild Distributors are genuine parts, have full traceability, meet Fairchild's quality standards for handling and storage and provide access to Fairchild's full range of up-to-date technical and product information. Fairchild and our Authorized Distributors will stand behind all warranties and will appropriately address any warranty issues that may arise. Fairchild will not provide any warranty coverage or other assistance for parts bought from Unauthorized Sources. Fairchild is committed to combat this global problem and encourage our customers to do their part in stopping this practice by buying direct or from authorized distributors.

**PRODUCT STATUS DEFINITIONS**

**Definition of Terms**

| Datasheet Identification | Product Status        | Definition  |
|--------------------------|-----------------------|---|
| Advance Information      | Formative / In Design | Datasheet contains the design specifications for product development. Specifications may change in any manner without notice.   |
| Preliminary              | First Production      | Datasheet contains preliminary data; supplementary data will be published at a later date. Fairchild Semiconductor reserves the right to make changes at any time without notice to improve design. |
| No Identification Needed | Full Production       | Datasheet contains final specifications. Fairchild Semiconductor reserves the right to make changes at any time without notice to improve the design.   |
| Obsolete                 | Not In Production     | Datasheet contains specifications on a product that is discontinued by Fairchild Semiconductor. The datasheet is for reference information only.  |

Rev. I77