

Excellent Integrated System Limited

Stocking Distributor

Click to view price, real time Inventory, Delivery & Lifecycle Information:

[Phoenix Contact](#)
[1552272](#)

For any questions, you can email us directly:
sales@integrated-circuit.com



Extract from the online catalog

SACC-DSI-FSD-4CON-L180/12 SCO

Order No.: 1552272



<http://eshop.phoenixcontact.de/phoenix/treeViewClick.do?UID=1552272>

Bus system flush-type socket, ETHERNET, 4-pos., M12 SPEEDCON, D-coded, rear/screw mounting with PG9 thread, with straight solder connection, design with 12 mm long solder pins



Ethernet

Commercial data

EAN	4046356162128
Pack	20 pcs.
Customs tariff	85366990
Weight/Piece	0.0144 KG
Catalog page information	Page 28 (PC-2009)

Product notes

WEEE/RoHS-compliant since:
04/13/2007



<http://www.download.phoenixcontact.com>
 Please note that the data given here has been taken from the online catalog. For comprehensive information and data, please refer to the user documentation. The General Terms and Conditions of Use apply to Internet downloads.

Technical data

General data

Nominal current I_N	4 A
Nominal voltage U_N	250 V
Number of positions	4
Volume resistance	$\leq 3 \text{ m}\Omega$

SACC-DSI-FSD-4CON-L180/12 SCO Order No.: 1552272
<http://eshop.phoenixcontact.de/phoenix/treeViewClick.do?UID=1552272>

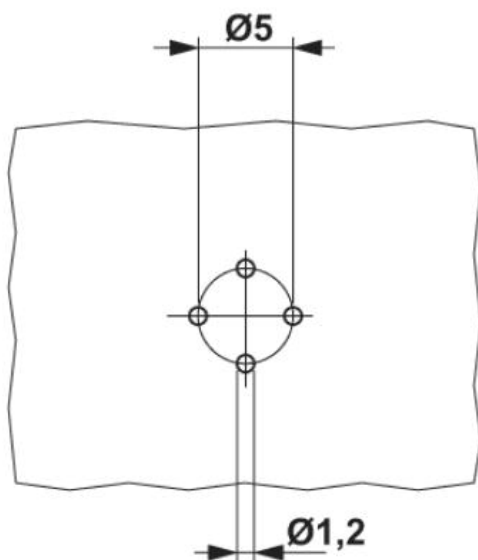
Insulation resistance	≥ 100 MΩ
Ambient temperature (operation)	-25 °C ... 85 °C (plug/socket)

General characteristics

Coding	D - data
Surge voltage category	II
Pollution degree	3
Degree of protection	IP67
Contact material	CuZn
Contact surface material	Au
Contact carrier material	PA 66
Material, knurls	Zinc die-cast, (nickel-plated)
Sealing material	NBR
Mounting type	Rear mounting Pg9 With flat nut
Type of connection	Solder pins
Length of the solder contacts	12 mm
Status display	No

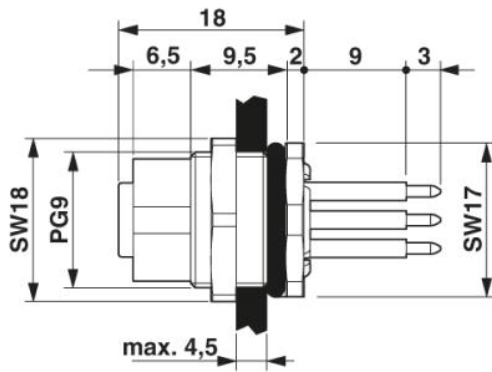
Diagrams/Drawings

Drilling plan/solder pad geometry

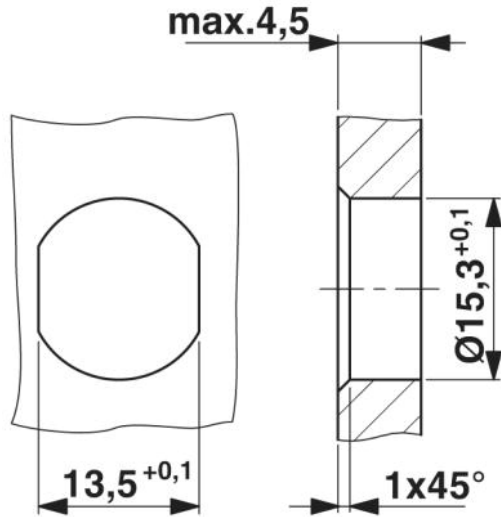


SACC-DSI-FSD-4CON-L180/12 SCO Order No.: 1552272
<http://eshop.phoenixcontact.de/phoenix/treeViewClick.do?UID=1552272>

Dimensioned drawing

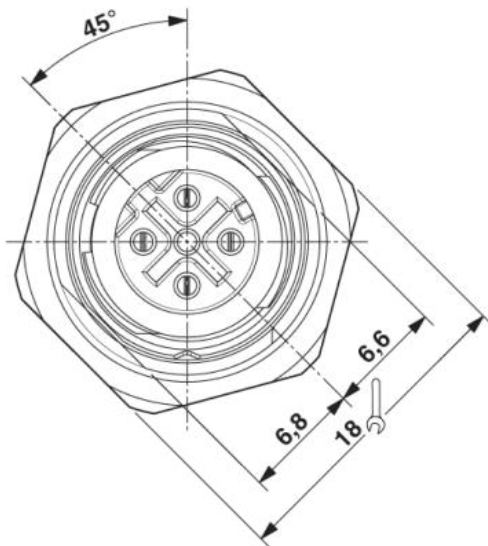


M12 flush-type connector



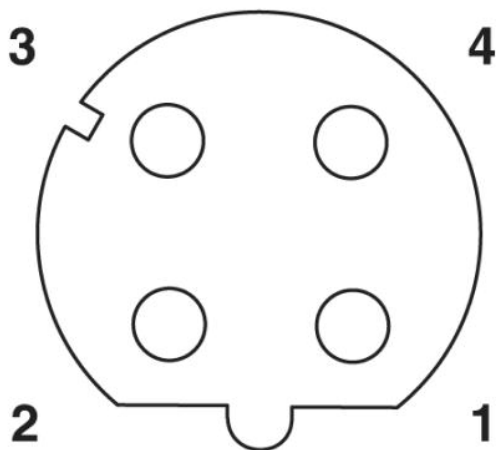
Housing cutout for Pg9 fastening thread, mounting panel with feed-through hole (alternatively with surface as protection against rotation)

M12 front view



SACC-DSI-FSD-4CON-L180/12 SCO Order No.: 1552272
<http://eshop.phoenixcontact.de/phoenix/treeViewClick.do?UID=1552272>

Schematic diagram



Pin assignment M12 female connector, 4-pos., D-coded, female side

SACC-DSI-FSD-4CON-L180/12 SCO Order No.: 1552272
<http://eshop.phoenixcontact.de/phoenix/treeViewClick.do?UID=1552272>

Address

PHOENIX CONTACT Inc., USA
586 Fulling Mill Road
Middletown, PA 17057, USA
Phone (800) 888-7388
Fax (717) 944-1625
<http://www.phoenixcon.com>



© 2010 Phoenix Contact
Technical modifications reserved;