



## Excellent Integrated System Limited

Stocking Distributor

Click to view price, real time Inventory, Delivery & Lifecycle Information:

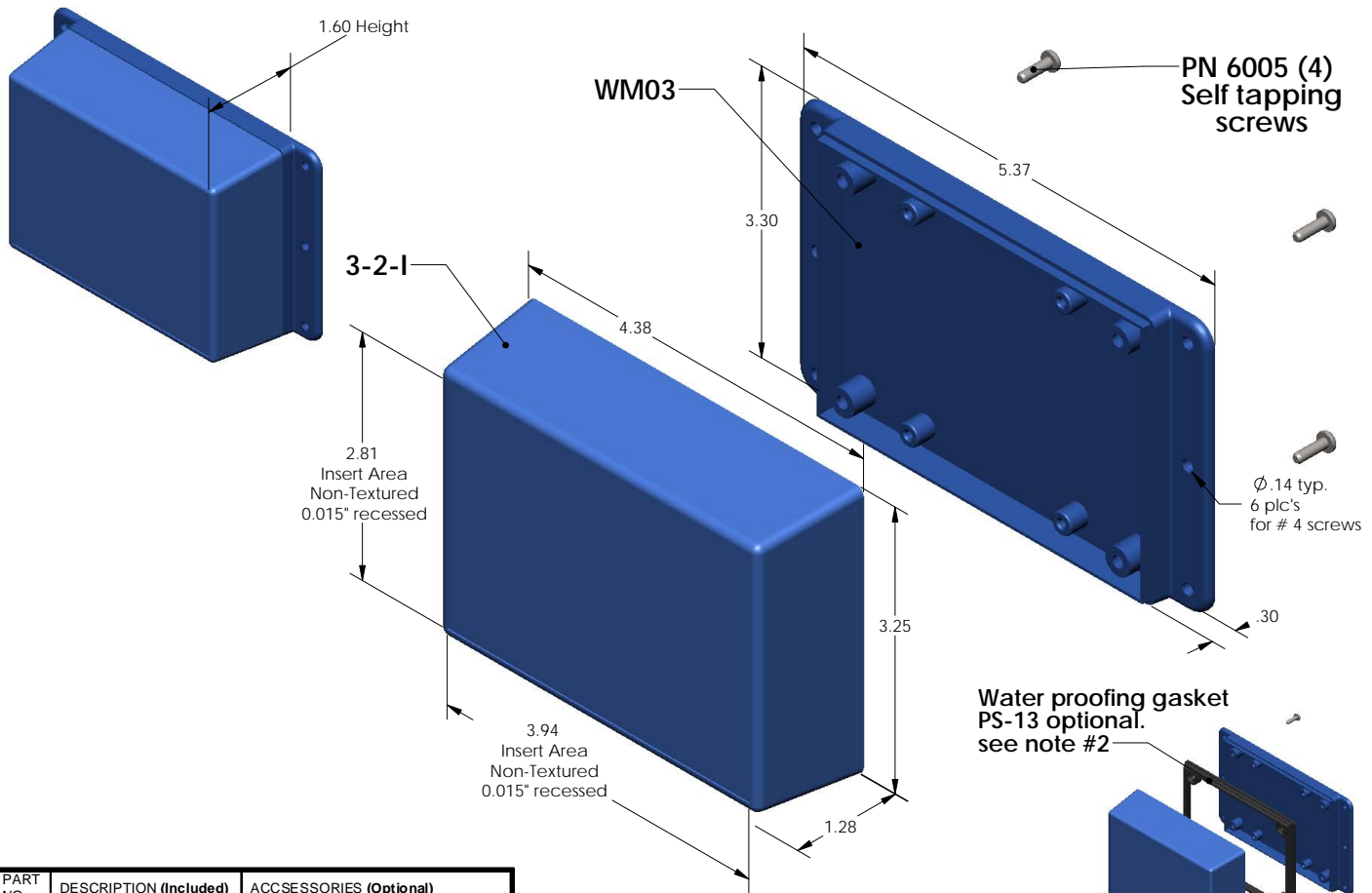
[Serpac Electronic Enclosures](#)  
[WM032I,AL](#)

For any questions, you can email us directly:

[sales@integrated-circuit.com](mailto:sales@integrated-circuit.com)

# SERPAC WM032-I (exploded isometric)

Electronic Enclosures



PART NO.	DESCRIPTION (Included)	ACCESSORIES (Optional)	
3-2-I	TOP	PART NO.	DESCRIPTION
WM03	BOTTOM	50	Non-skid Feet
6005	#4 self tapping screw (4)	PS-13	Perimeter Seal
		330	Prototype grid board (Horiz)
		430	Prototype clad board (Horiz)

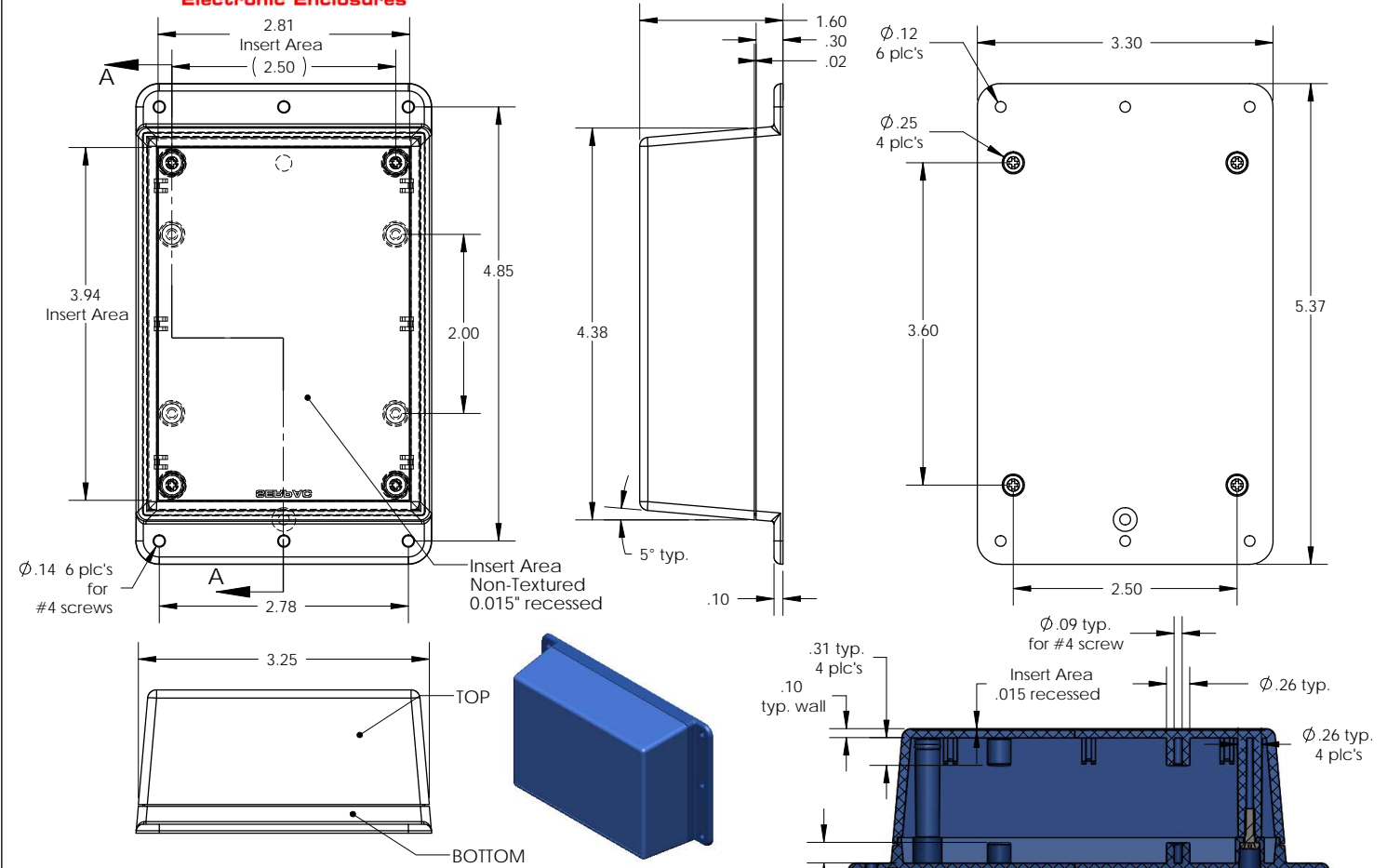
Notes:  
 1) Enclosure meets or exceeds IP40 and NEMA 1  
 2) When used with PS-13 the enclosure meets or exceeds IP 67 and NEMA 4X, 12 and 13 MIL-STD-810G 506.5  
 3) Circuit Board drawings can be download at:  
<http://www.serpac.com/Accessories/CircuitBoard/drawings/330-430-cbg.pdf>  
 4) All components are RoHS Compliant.

Water proofing gasket  
 PS-13 optional.  
 see note #2

**ALL DIMENSIONS ARE ±.010" 5/28/09 (1 of 2)**  
**819 Commercial Ave. Covina, CA 91723**  
 Ph. (626) 331-0517 Fx. (626) 331-8584 [serpac.com](http://serpac.com)

# SERPAC WM032-I (user print)

Electronic Enclosures



PART NO.	DESCRIPTION (Included)	ACCESSORIES (Optional)	
		PART NO.	DESCRIPTION
3-2-I	TOP	50	Non-skid Feet
WM03	BOTTOM	PS-13	Perimeter Seal
6005	#4 self tapping screw (4)	330	Prototype grid board
		430	Prototype clad board

Notes:  
 1) Enclosure meets or exceeds IP40 and NEMA 1  
 2) When used with PS-13 the enclosure meets or exceeds IP 67 and NEMA 4X, 12 and 13 MIL-STD-810G 506.5  
 3) Circuit Board drawings can be download at: <http://www.serpac.com/Accessories/CircuitBoard/drawings/330-430-cbg.pdf>  
 4) All components are RoHS Compliant.

ALL DIMENSIONS ARE ± .010" 5/29/09 (2 of 2)  
 619 Commercial Ave. Covina, CA 91723  
 Ph. (626) 331-0517 Fx. (626) 331-8584 www.serpac.com