

Excellent Integrated System Limited

Stocking Distributor

Click to view price, real time Inventory, Delivery & Lifecycle Information:

[Würth Electronics Inc](#)
[7499311611](#)

For any questions, you can email us directly:
sales@integrated-circuit.com

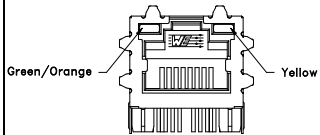


Distributor of Würth Electronics Inc: Excellent Integrated System Limited

Datasheet of 7499311611 - CONN MAGJACK 1PORT 1000 BASE-T

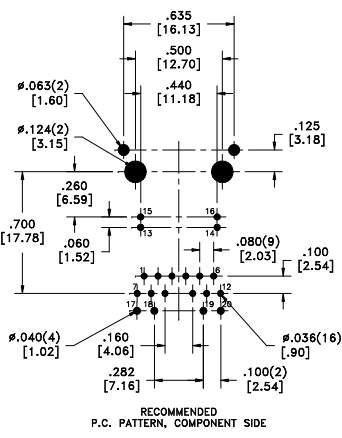
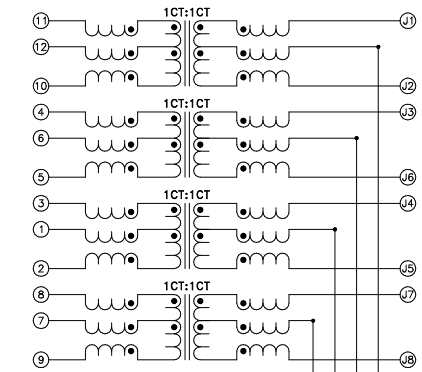
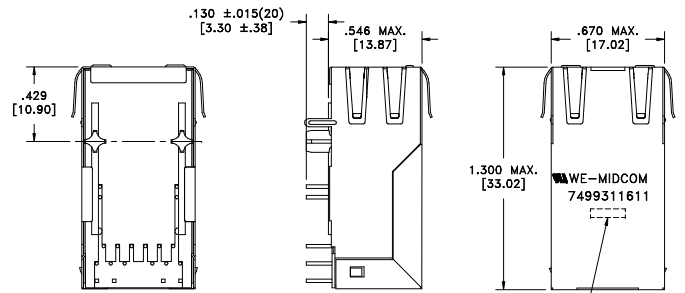
Contact us: sales@integrated-circuit.com Website: www.integrated-circuit.com

CUSTOMER TERMINAL	IR_GHS	LEAD(Pb)-FREE
Sn100%	Yes	Yes

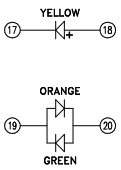


ELECTRICAL SPECIFICATIONS @ 25°C unless otherwise noted:

PARAMETER	TEST CONDITIONS	VALUE
INDUCTANCE	J1-J2 100kHz, 100mVAC, 8mADC, Lp	350uH min.
INDUCTANCE	J3-J6 100kHz, 100mVAC, 8mADC, Lp	350uH min.
INDUCTANCE	J4-J5 100kHz, 100mVAC, 8mADC, Lp	350uH min.
INDUCTANCE	J7-J8 100kHz, 100mVAC, 8mADC, Lp	350uH min.
DIELECTRIC	P1-12 to J1-8	1500Vrms/2250VDC, 1 minute
URNS RATIO	Per schematic	-
INSERTION LOSS	1M - 100MHz	-1.0dB max.
RETURN LOSS	1M - 30MHz	-18dB min.
RETURN LOSS	30M - 45MHz	-16dB min.
RETURN LOSS	45M - 60MHz	-14dB min.
RETURN LOSS	60M - 80MHz	-12dB min.
RETURN LOSS	80M - 100MHz	-10dB min.
CROSSTALK	1M - 100MHz	-30dB typ.
COMMON MODE REJECTION	1M - 100MHz	-35dB min.
COMMON MODE REJECTION	100M - 500MHz	-25dB min.



GENERAL SPECIFICATIONS:
 OPERATING TEMPERATURE RANGE: 0°C to +70°C.
 Designed to handle 350mADC and meet 802.3af.



REV.	DATE
6A	10/08

Packaging Specifications
 Method: Tray
 PKG-0573
 www.midcom-inc.com

Unless otherwise specified:
 Tolerances: Fractions: ±1/64
 Angles: ±1° Decimals: ±.010 [.25]

DRAWING TITLE
TRANSFORMER
 Gigabit & PoE
 eiSos p/n: 7499311611



DRAWING NO.
7499311611
 AGENCY NUMBER
 UL60950-1 E205930