

## Excellent Integrated System Limited

Stocking Distributor

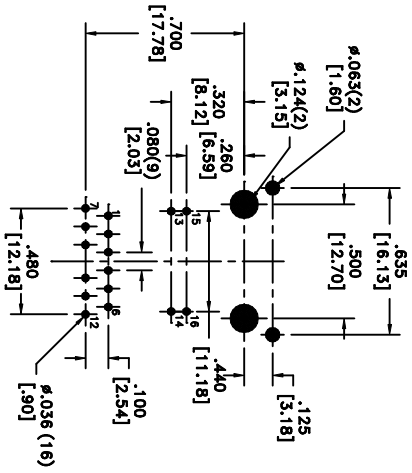
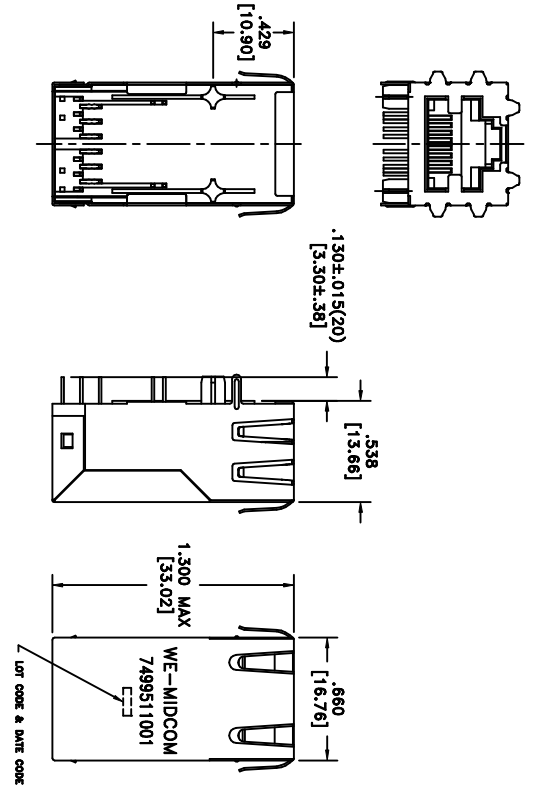
Click to view price, real time Inventory, Delivery & Lifecycle Information:

[Wurth Electronics Inc](#)  
[7499511001](#)

For any questions, you can email us directly:

[sales@integrated-circuit.com](mailto:sales@integrated-circuit.com)

CUSTOMER TERMINAL	ROHS	LEAD(Pb)-FREE
Sn100%	Yes	Yes



RECOMMENDED P.C. PATTERN, COMPONENT SIDE

**ELECTRICAL SPECIFICATIONS @ 25°C unless otherwise noted:**

INDUCTANCE: 350uH min., 100kHz, 100mV, 18mADC, J1-J2, J3-J6, J4-J5, J7-J8 Ip.

DIELECTRIC RATING: 1500Vrms or 2250VDC for 1 minute between P1-12 to J1-8.

TURN RATIO/POLARITY: Per schematic.

INSERTION LOSS: -1.0dB max., 1MHz - 100MHz.

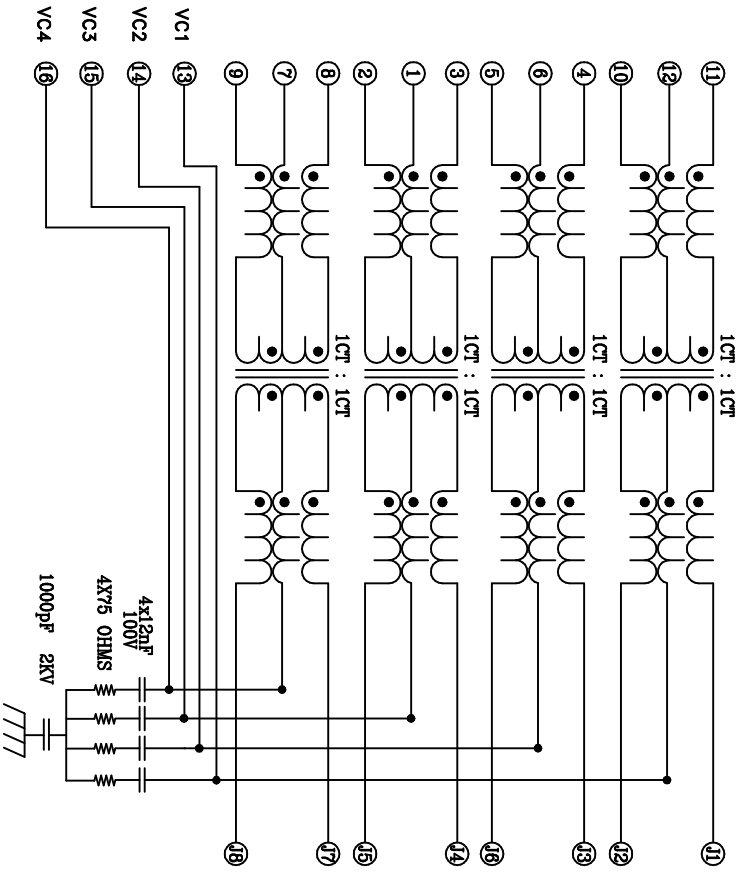
RETURN LOSS: -18dB min., 1M - 30MHz.  
-16dB min., 30M - 45MHz.  
-14dB min., 45M - 60MHz.  
-12dB min., 60M - 80MHz.  
-10dB min., 80M - 100MHz.

CROSSTALK: -30dB typ., 1MHz - 100MHz.

COMMON MODE REJECTION: -35dB min., 1MHz - 100MHz.  
-25dB min., 100MHz - 500MHz.

OPERATING TEMPERATURE RANGE: 0°C to +70°C.

Designed to handle 600mADC and meet 802.3at.



REV.	DATE
00	04/08

Packaging Specifications  
Method: Tray  
PKG-0573  
www.midcom-inc.com

Unless otherwise specified:  
Tolerances: Fractions: ±1/64  
Angles: ±1°  
Decimals: ±.010[.25]  
This drawing is dual dimensioned. Dimensions in brackets are in millimeters.

DRAWING TITLE  
**TRANSFORMER**  
Gigabit+PoE+ high performance

Midcom Inc.  
www.midcom-inc.com

DRAWING NO. 7499511001  
REVISIONS: SEE SHEET 1  
SCALE ---  
SHEET 2 OF 6