

## Excellent Integrated System Limited

Stocking Distributor

Click to view price, real time Inventory, Delivery & Lifecycle Information:

[Microsemi Consumer Medical Product Group](#)  
[MAX3679CTJ+T](#)

For any questions, you can email us directly:

[sales@integrated-circuit.com](mailto:sales@integrated-circuit.com)

19-4374; Rev 0; 11/08

**EVALUATION KIT AVAILABLE**



# +3.3V, Low-Jitter Crystal to LVPECL Clock Generator

**MAX3679**

## General Description

The MAX3679 is a low-jitter precision clock generator with the integration of three LVPECL and one LVCMOS outputs optimized for Ethernet applications. The device integrates a crystal oscillator and a phase-locked loop (PLL) clock multiplier to generate high-frequency clock outputs for Ethernet applications.

Maxim's proprietary PLL design features ultra-low jitter (0.36psRMS) and excellent power-supply noise rejection, minimizing design risk for network equipment.

## Applications

Ethernet Networking Equipment

## Features

- ◆ Crystal Oscillator Interface: 25MHz
- ◆ CMOS Input: 25MHz
- ◆ Output Frequencies for Ethernet  
62.5MHz, 125MHz, 156.25MHz, 312.5MHz
- ◆ Low Jitter  
0.14psRMS (1.875MHz to 20MHz)  
0.36psRMS (12kHz to 20MHz)
- ◆ Excellent Power-Supply Noise Rejection
- ◆ No External Loop Filter Capacitor Required

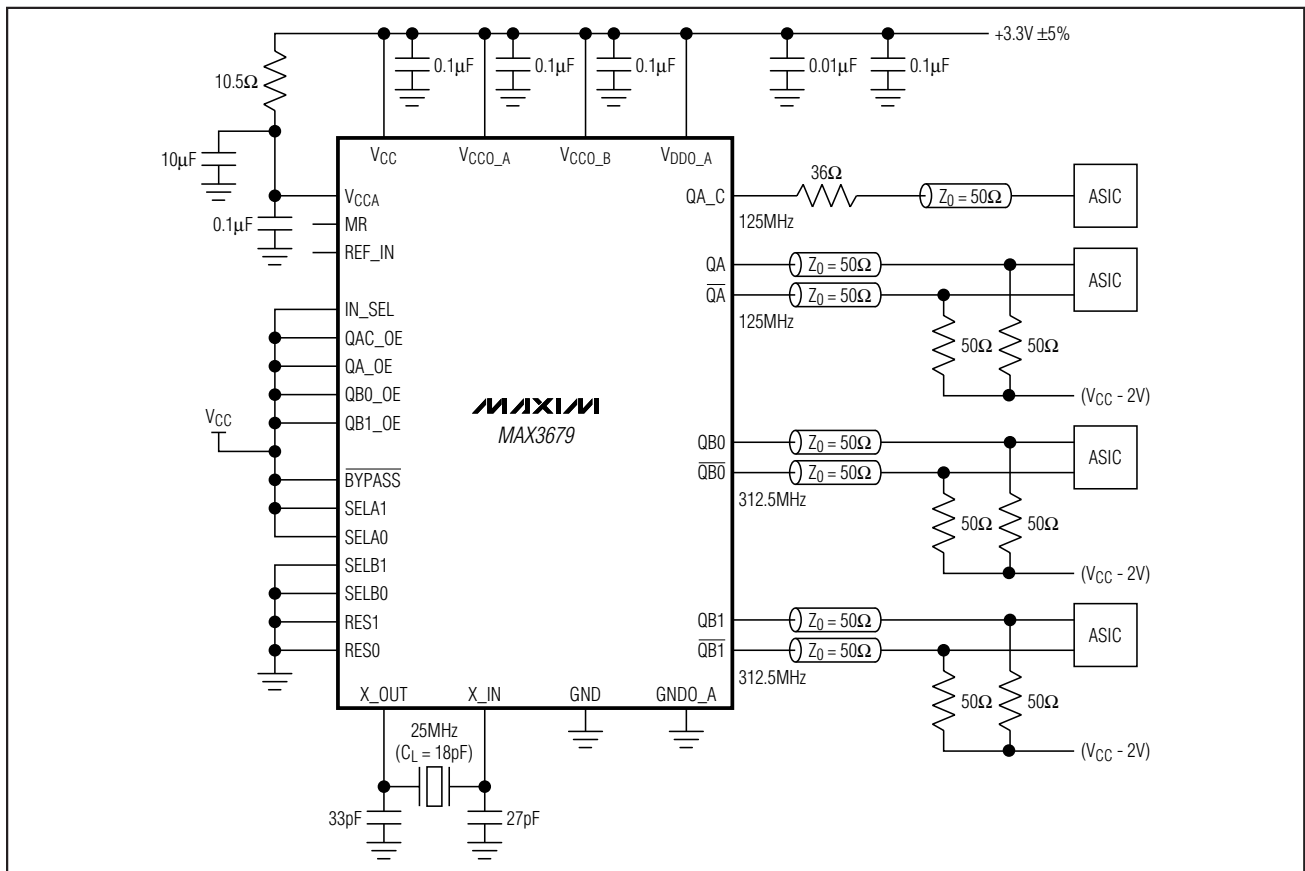
## Ordering Information

| PART        | TEMP RANGE   | PIN-PACKAGE |
|-------------|--------------|-------------|
| MAX3679CTJ+ | 0°C to +70°C | 32 TQFN-EP* |

+Denotes a lead-free/RoHS-compliant package.  
 \*EP = Exposed pad.

Pin Configuration appears at end of data sheet.

## Typical Application Circuit



# +3.3V, Low-Jitter Crystal to LVPECL Clock Generator

## ABSOLUTE MAXIMUM RATINGS

|   |                              |   |                                   |
|---|------------------------------|---|-----------------------------------|
| Supply Voltage Range $V_{CC}$ , $V_{CCA}$ ,<br>$V_{DDO\_A}$ , $V_{CCO\_A}$ , $V_{CCO\_B}$ .....   | -0.3V to +4.0V               | Voltage Range at $GNDO\_A$ .....  | -0.3V to +0.3V                    |
| Voltage Range at $REF\_IN$ , $IN\_SEL$ ,<br>$SELA[1:0]$ , $SELB[1:0]$ , $RES[1:0]$ ,<br>$QAC\_OE$ , $QA\_OE$ , $QB0\_OE$ , $QB1\_OE$ ,<br>$MR$ , $BYPASS$ ..... | -0.3V to ( $V_{CC} + 0.3V$ ) | Voltage Range at $X\_OUT$ .....   | -0.3V to ( $V_{CC} - 0.6V$ )      |
| Voltage Range at $X\_IN$ Pin .....  | -0.3V to +1.2V               | Current into $QA\_C$ .....  | $\pm 50mA$                        |
|   |                              | Current into $QA$ , $\overline{QA}$ , $QB0$ , $\overline{QB0}$ , $QB1$ , $\overline{QB1}$ .....                             | -56mA                             |
|   |                              | Continuous Power Dissipation ( $T_A = +70^\circ C$ )<br>32-Pin TQFN (derate 34.5mW/ $^\circ C$ above +70 $^\circ C$ ) ..... | 2759mW                            |
|   |                              | Operating Junction Temperature Range .....  | -55 $^\circ C$ to +150 $^\circ C$ |
|   |                              | Storage Temperature Range .....   | -65 $^\circ C$ to +160 $^\circ C$ |

Stresses beyond those listed under "Absolute Maximum Ratings" may cause permanent damage to the device. These are stress ratings only, and functional operation of the device at these or any other conditions beyond those indicated in the operational sections of the specifications is not implied. Exposure to absolute maximum rating conditions for extended periods may affect device reliability.

## ELECTRICAL CHARACTERISTICS

( $V_{CC} = +3.0V$  to +3.6V,  $T_A = 0^\circ C$  to +70 $^\circ C$ , unless otherwise noted. Typical values are at  $V_{CC} = +3.3V$ ,  $T_A = +25^\circ C$ , unless otherwise noted.) (Notes 1, 2, and 3)

| PARAMETER  | SYMBOL         | CONDITIONS  | MIN             | TYP             | MAX             | UNITS      |
|--|----------------|---|-----------------|-----------------|-----------------|------------|
| Power-Supply Current   | $I_{CC}$       | (Note 4)  |                 | 77              | 100             | mA         |
| <b>CONTROL INPUT CHARACTERISTICS<br/>(SELA[1:0], SELB[1:0], IN_SEL, QAC_OE, QA_OE, QB1_OE, QB0_OE, MR, <math>\overline{BYPASS}</math> Pins)</b>      |                |   |                 |                 |                 |            |
| Input Capacitance  | $C_{IN}$       |   |                 | 2               |                 | pF         |
| Input Pulldown Resistor  | $R_{PULLDOWN}$ | Pin MR  |                 | 75              |                 | k $\Omega$ |
| Input Logic Bias Resistor  | $R_{BIAS}$     | Pins SELA[1:0], SELB[1:0], QB0_OE                       |                 | 50              |                 | k $\Omega$ |
| Input Pullup Resistor  | $R_{PULLUP}$   | Pins QAC_OE, QA_OE, QB1_OE, IN_SEL, $\overline{BYPASS}$ |                 | 75              |                 | k $\Omega$ |
| <b>LVPECL OUTPUT SPECIFICATIONS (QA, <math>\overline{QA}</math>, QB0, <math>\overline{QB0}</math>, QB1, <math>\overline{QB1}</math> Pins)</b>        |                |   |                 |                 |                 |            |
| Output High Voltage  | $V_{OH}$       |   | $V_{CC} - 1.13$ | $V_{CC} - 0.98$ | $V_{CC} - 0.83$ | V          |
| Output Low Voltage   | $V_{OL}$       |   | $V_{CC} - 1.85$ | $V_{CC} - 1.7$  | $V_{CC} - 1.55$ | V          |
| Peak-to-Peak Output-Voltage Swing (Single-Ended)   |                | (Note 2)  | 0.6             | 0.72            | 0.9             | $V_{P-P}$  |
| Clock Output Rise/Fall Time  |                | 20% to 80% (Note 2)                                     | 200             | 350             | 600             | ps         |
| Output Duty-Cycle Distortion   |                | PLL enabled   | 48              | 50              | 52              | %          |
|  |                | PLL bypassed (Note 5)                                   | 40              | 50              | 60              |            |
| <b>LVC MOS/LVTTL INPUT SPECIFICATIONS<br/>(SELA[1:0], SELB[1:0], IN_SEL, QAC_OE, QA_OE, QB1_OE, QB0_OE, MR, <math>\overline{BYPASS}</math> Pins)</b> |                |   |                 |                 |                 |            |
| Input-Voltage High   | $V_{IH}$       |   | 2.0             |                 |                 | V          |
| Input-Voltage Low  | $V_{IL}$       |   |                 |                 | 0.8             | V          |
| Input High Current   | $I_{IH}$       | $V_{IN} = V_{CC}$                                       |                 |                 | 80              | $\mu A$    |
| Input Low Current  | $I_{IL}$       | $V_{IN} = 0V$   | -80             |                 |                 | $\mu A$    |

## +3.3V, Low-Jitter Crystal to LVPECL Clock Generator

### ELECTRICAL CHARACTERISTICS (continued)

(V<sub>CC</sub> = +3.0V to +3.6V, T<sub>A</sub> = 0°C to +70°C, unless otherwise noted. Typical values are at V<sub>CC</sub> = +3.3V, T<sub>A</sub> = +25°C, unless otherwise noted.) (Notes 1, 2, and 3)

| PARAMETER  | SYMBOL            | CONDITIONS                              | MIN  | TYP  | MAX  | UNITS |
|--|-------------------|---|------|------|------|-------|
| <b>REF_IN SPECIFICATIONS (Input DC- or AC-Coupled)</b>   |                   |   |      |      |      |       |
| Reference Clock Frequency                                |                   | PLL enabled                             | 25   |      |      | MHz   |
|  |                   | PLL bypassed                            | 320  |      |      |       |
| Input-Voltage High                                       | V <sub>IH</sub>   |   | 2.0  |      |      | V     |
| Input-Voltage Low  | V <sub>IL</sub>   |   |      |      | 0.8  | V     |
| Input High Current                                       | I <sub>IH</sub>   | V <sub>IN</sub> = V <sub>CC</sub>       |      |      | 240  | μA    |
| Input Low Current  | I <sub>IL</sub>   | V <sub>IN</sub> = 0V                    | -240 |      |      | μA    |
| Reference Clock Duty Cycle                               |                   | PLL enabled                             | 30   |      | 70   | %     |
| Input Capacitance  |                   |   |      | 2.5  |      | pF    |
| <b>QA_C SPECIFICATIONS</b>                               |                   |   |      |      |      |       |
| Output High Voltage                                      | V <sub>OH</sub>   | QA_C sourcing 12mA                      | 2.6  |      |      | V     |
| Output Low Voltage                                       | V <sub>OL</sub>   | QA_C sinking 12mA                       |      |      | 0.4  | V     |
| Output Rise/Fall Time                                    |                   | (Notes 3 and 6)                         | 250  | 500  | 1000 | ps    |
| Output Duty-Cycle Distortion                             |                   | PLL enabled                             | 42   | 50   | 58   | %     |
|  |                   | PLL bypassed (Note 5)                   | 40   |      | 60   |       |
| Output Impedance   |                   |   |      | 14   |      | Ω     |
| <b>CLOCK OUTPUT AC SPECIFICATIONS</b>                    |                   |   |      |      |      |       |
| VCO Frequency Range                                      |                   |   |      | 625  |      | MHz   |
| Random Jitter (Note 7)                                   | R <sub>JRMS</sub> | 12kHz to 20MHz                          |      | 0.36 | 1.0  | psRMS |
|  |                   | 1.875MHz to 20MHz                       |      | 0.14 |      |       |
| Deterministic Jitter Due to Supply Noise (Notes 7, 8, 9) |                   | LVPECL output                           |      | 5.0  |      | psp-P |
| Spurs Induced by Power-Supply Noise (Notes 7, 9, 10)     |                   | LVPECL output                           |      | -59  |      | dBc   |
|  |                   | LVC MOS output                          |      | -47  |      |       |
| Nonharmonic and Subharmonic Spurs                        |                   |   |      | -70  |      | dBc   |
| Output Skew  |                   | Between QB0 and QB1                     |      | 15   |      | ps    |
|  |                   | Between QA and QB0 or QB1, PECL outputs |      | 20   |      |       |

**MAX3679**

## +3.3V, Low-Jitter Crystal to LVPECL Clock Generator

### ELECTRICAL CHARACTERISTICS (continued)

( $V_{CC} = +3.0V$  to  $+3.6V$ ,  $T_A = 0^\circ C$  to  $+70^\circ C$ , unless otherwise noted. Typical values are at  $V_{CC} = +3.3V$ ,  $T_A = +25^\circ C$  unless otherwise noted.) (Notes 1, 2, and 3)

| PARAMETER  | SYMBOL | CONDITIONS | MIN | TYP  | MAX | UNITS  |
|--|--------|------------|-----|------|-----|--------|
| Clock Output SSB Phase Noise at 125MHz (Note 11) |        | f = 1kHz   |     | -124 |     | dBc/Hz |
|  |        | f = 10kHz  |     | -125 |     |        |
|  |        | f = 100kHz |     | -130 |     |        |
|  |        | f = 1MHz   |     | -145 |     |        |
|  |        | f > 10MHz  |     | -153 |     |        |

- Note 1:** A series resistor of up to  $10.5\Omega$  is allowed between  $V_{CC}$  and  $V_{CCA}$  for filtering supply noise when system power-supply tolerance is  $V_{CC} = 3.3V \pm 5\%$ . See Figure 2.
- Note 2:** Guaranteed up to 320MHz for LVPECL output.
- Note 3:** Guaranteed up to 160MHz for LVCMOS output.
- Note 4:** All outputs enabled and unloaded. IN\_SEL set high.
- Note 5:** Measured with crystal or AC-coupled, 50% duty-cycle signal on REF\_IN.
- Note 6:** Measured using setup shown in Figure 1 with  $V_{CC} = 3.3V \pm 5\%$ .
- Note 7:** Measured with crystal source.
- Note 8:** Total TIE including random and deterministic jitter. Measured with Agilent DSO81304A 40GS/s real-time oscilloscope using 2M sample record length.
- Note 9:** Measured with  $40mV_{p-p}$ , 100kHz sinusoidal signal on the supply.
- Note 10:** Measured at 156.25MHz output.
- Note 11:** Measured with 25MHz crystal or 25MHz reference clock at LVCMOS input with a slew rate of 0.5V/ns or greater.

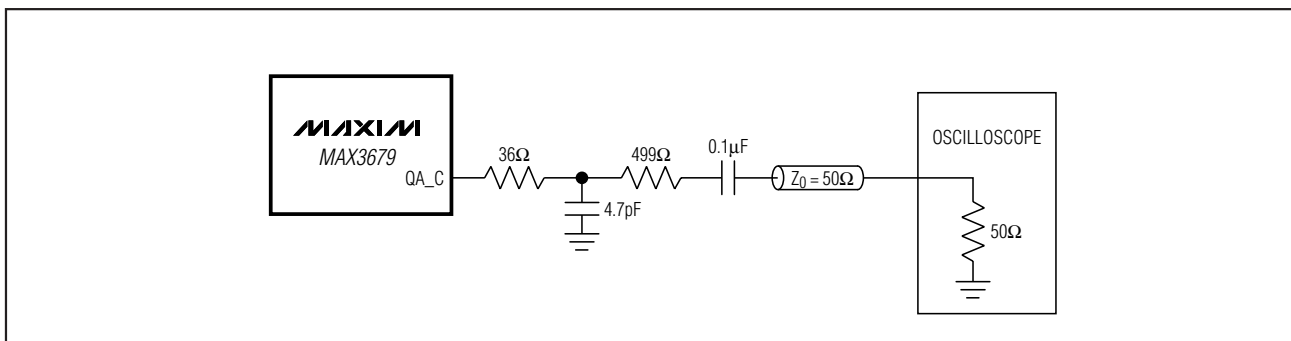


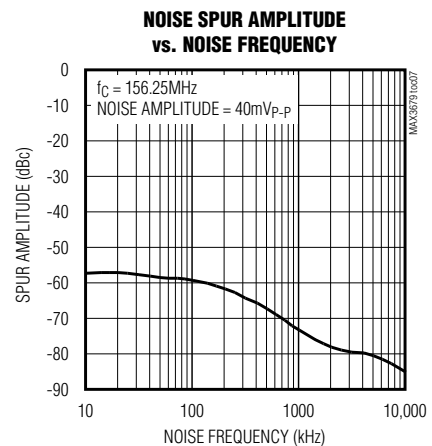
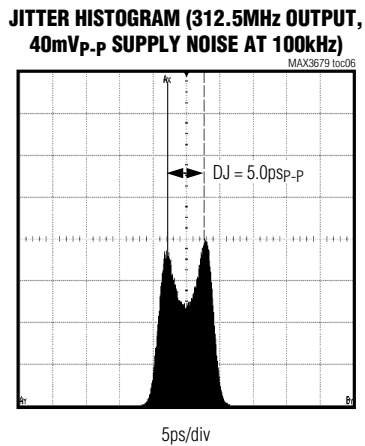
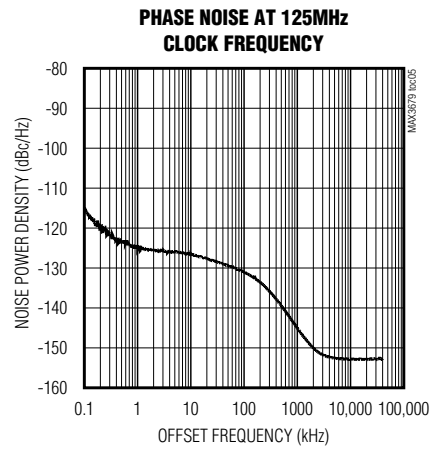
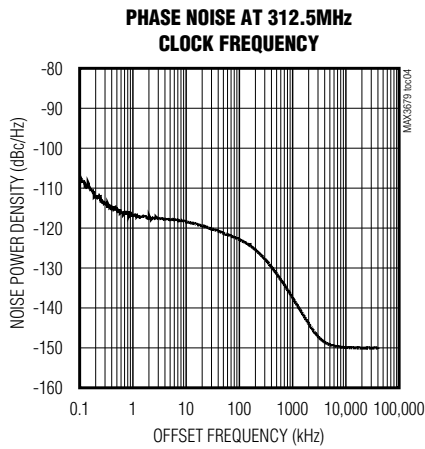
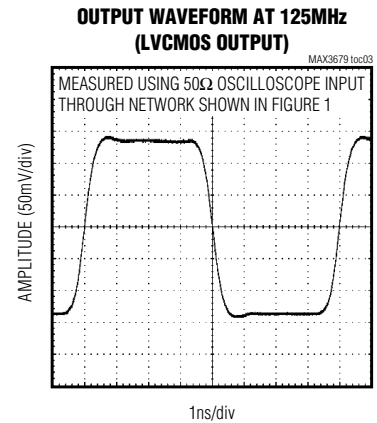
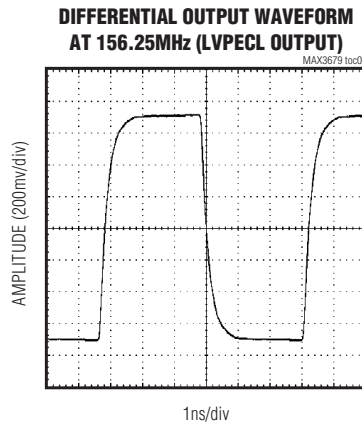
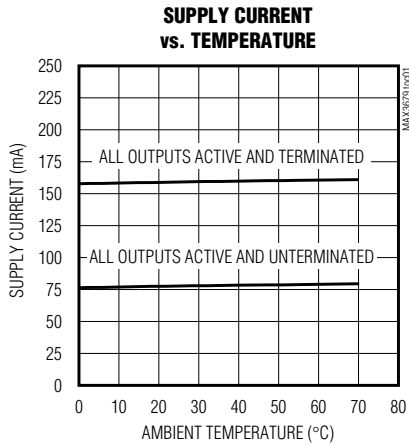
Figure 1. LVC MOS Output Measurement Setup

# +3.3V, Low-Jitter Crystal to LVPECL Clock Generator

## Typical Operating Characteristics

(Typical values are at  $V_{CC} = +3.3V$ ,  $T_A = +25^\circ C$ , crystal frequency = 25MHz.)

**MAX3679**



## +3.3V, Low-Jitter Crystal to LVPECL Clock Generator

### Pin Description

| PIN       | NAME                | FUNCTION   |
|-----------|---------------------|--|
| 1         | V <sub>CCO_B</sub>  | Power Supply for QB0 and QB1 Clock Outputs. Connect to +3.3V.  |
| 2, 19, 24 | GND                 | Supply Ground  |
| 3         | QB0_OE              | LVC MOS/LVTTL Input. Enables/disables QB0 clock output. Connect pin high to enable LVPECL clock output QB0. Connect low to set QB0 to a logic 0. Has internal 50kΩ input impedance.  |
| 4, 5      | SELB1, SELB0        | LVC MOS/LVTTL Input. Controls NB divider setting. Has 50kΩ input impedance. See Table 2 for more information.  |
| 6         | QAC_OE              | LVC MOS/LVTTL Input. Enables/disables QA_C clock output. Connect pin high to enable QA_C. Connect low to set QA_C to a high-impedance state. Has internal 75kΩ pullup to V <sub>CC</sub> .                                 |
| 7         | MR                  | LVC MOS/LVTTL Input. Master reset input. Pulse high for > 1μs to reset all dividers. Has internal 75kΩ pulldown to GND. Not required for normal operation.   |
| 8         | GNDO_A              | Ground for QA_C Output. Connect to supply ground.  |
| 9         | QA_C                | LVC MOS Clock Output   |
| 10        | V <sub>DDO_A</sub>  | Power Supply for QA_C Clock Output. Connect to +3.3V.  |
| 11        | V <sub>CCO_A</sub>  | Power Supply for QA Clock Output. Connect to +3.3V.  |
| 12        | QA                  | Noninverting Clock Output, LVPECL  |
| 13        | $\overline{QA}$     | Inverting Clock Output, LVPECL   |
| 14        | $\overline{BYPASS}$ | LVC MOS/LVTTL Input (Active Low). Connect low to bypass the internal PLL. Connect high for normal operation. When in bypass mode the output dividers are set to divide by 1. Has internal 75kΩ pullup to V <sub>CC</sub> . |
| 15        | RES1                | Not Internally Connected. Connect to GND, V <sub>CC</sub> , or leave open for normal operation.  |
| 16        | RES0                | Reserved for Test. Connect to GND for normal operation.  |
| 17        | V <sub>CCA</sub>    | Analog Power Supply for the VCO. Connect to +3.3V. For additional power-supply noise filtering, this pin can connect to V <sub>CC</sub> through 10.5Ω as shown in Figure 2 (requires V <sub>CC</sub> = +3.3V ±5%).         |
| 18        | V <sub>CC</sub>     | Core Power Supply. Connect to +3.3V.   |
| 20        | QA_OE               | LVC MOS/LVTTL Input. Enables/disables the QA clock output. Connect this pin high to enable the LVPECL clock output QA. Connect low to set QA to a logic 0. Has internal 75kΩ pullup to V <sub>CC</sub> .                   |
| 21, 22    | SELA0, SELA1        | LVC MOS/LVTTL Input. Controls NA divider setting. See Table 2 for more information. Has 50kΩ input impedance.  |
| 23        | QB1_OE              | LVC MOS/LVTTL Input. Enables/disables QB1 clock output. Connect pin high to enable LVPECL clock output QB1. Connect low to set QB1 to a logic 0. Has internal 50kΩ input impedance.  |
| 25        | X_OUT               | Crystal Oscillator Output  |
| 26        | X_IN                | Crystal Oscillator Input   |
| 27        | REF_IN              | LVC MOS Reference Clock Input. Self-biased to allow AC- or DC-coupling.  |
| 28        | IN_SEL              | LVC MOS/LVTTL Input. Connect high or leave open to use a crystal. Connect low to use REF_IN. Has internal 75kΩ pullup to V <sub>CC</sub> .   |
| 29        | $\overline{QB1}$    | LVPECL, Inverting Clock Output   |
| 30        | QB1                 | LVPECL, Noninverting Clock Output  |
| 31        | $\overline{QB0}$    | LVPECL, Inverting Clock Output   |
| 32        | QB0                 | LVPECL, Noninverting Clock Output  |
| —         | EP                  | Exposed Pad. Connect to supply ground for proper electrical and thermal performance.   |

# +3.3V, Low-Jitter Crystal to LVPECL Clock Generator

## Detailed Description

The MAX3679 is a low-jitter clock generator designed to operate at Ethernet frequencies. It consists of an on-chip crystal oscillator, PLL, programmable dividers, LVCMOS output buffer, and LVPECL output buffers. Using a low-frequency clock (crystal or CMOS input) as a reference, the internal PLL generates a high-frequency output clock with excellent jitter performance.

### Crystal Oscillator

An integrated oscillator provides the low-frequency reference clock for the PLL. This oscillator requires an external crystal connected between X\_IN and X\_OUT. Crystal frequency is 25MHz.

### REF\_IN Buffer

An LVCMOS-compatible clock source can be connected to REF\_IN to serve as the reference clock.

The LVCMOS REF\_IN buffer is internally biased to allow AC- or DC-coupling. It is designed to operate up to 320MHz.

### PLL

The PLL takes the signal from the crystal oscillator or reference clock input and synthesizes a low-jitter, high-frequency clock. The PLL contains a phase-frequency detector (PFD), a lowpass filter, and a 625MHz voltage-controlled oscillator (VCO). The VCO output is connected to the PFD input through a feedback divider. See Table 3 for divider values. The PFD compares the reference frequency to the divided-down VCO output ( $f_{VCO}/25$ ) and generates a control signal that keeps the VCO locked to the reference clock. The high-frequency VCO output clock is sent to the output dividers. To minimize noise-induced jitter, the VCO supply ( $V_{CCA}$ ) is isolated from the core logic and output buffer supplies.

### Output Dividers

The output divider is programmable to allow a range of output frequencies. See Table 2 for the divider input settings. The output dividers are automatically set to divide by 1 when the MAX3679 is in bypass mode (BYPASS = 0).

### LVPECL Drivers

The high-frequency outputs—QA, QB0, and QB1—are differential PECL buffers designed to drive transmission lines terminated with  $50\Omega$  to  $V_{CC} - 2.0V$ . The maximum operating frequency is specified up to 320MHz. Each output can be individually disabled, if not used. The outputs go to a logic 0 when disabled.

### LVCMOS Driver

QA\_C, the LVCMOS output, is designed to drive a single-ended high-impedance load. The maximum operating frequency is specified up to 160MHz. This output can be disabled by the QAC\_OE pin if not used and goes to a high impedance when disabled.

### Reset Logic/POR

During power-on, the power-on reset (POR) signal is generated to synchronize all dividers. An external master reset (MR) signal is not required.

## Applications Information

### Power-Supply Filtering

The MAX3679 is a mixed analog/digital IC. The PLL contains analog circuitry susceptible to random noise. In addition to excellent on-chip power-supply noise rejection, the MAX3679 provides a separate power-supply pin,  $V_{CCA}$ , for the VCO circuitry. Figure 2 illustrates the recommended power-supply filter network for  $V_{CCA}$ . The purpose of this design technique is to ensure clean input power supply to the VCO circuitry and to improve the overall immunity to power-supply noise. This network requires that the power supply is  $+3.3V \pm 5\%$ . Decoupling capacitors should be used on all other supply pins for best performance.

### Output Divider Configuration

Table 2 shows the input settings required to set the output dividers. Leakage in the OPEN case must be less than  $1\mu A$ . Note that when the MAX3679 is in bypass mode (BYPASS set low), the output dividers are automatically set to divide by 1.

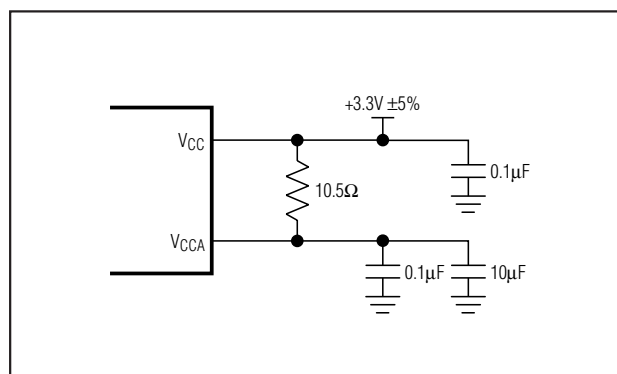


Figure 2. Analog Supply Filtering



# +3.3V, Low-Jitter Crystal to LVPECL Clock Generator

Table 1. Output Frequency Determination Chart

| XO OR CMOS INPUT FREQUENCY (MHz) | FEEDBACK DIVIDER, M | VCO FREQUENCY (MHz) | OUTPUT DIVIDER, NA AND NB | OUTPUT FREQUENCY (MHz) | APPLICATIONS |
|----------------------------------|---------------------|---------------------|---------------------------|------------------------|--------------|
| 25                               | 25                  | 625                 | ÷2                        | 312.5                  | Ethernet     |
|                                  |                     |                     | ÷4                        | 156.25                 |              |
|                                  |                     |                     | ÷5                        | 125                    |              |
|                                  |                     |                     | ÷10                       | 62.5                   |              |

Table 2. Output Divider Configuration Chart

| INPUT       |             | NA/NB DIVIDER |
|-------------|-------------|---------------|
| SELA1/SELB1 | SELA0/SELB0 |               |
| 0           | 0           | ÷2*           |
| 1           | 0           | ÷4            |
| 1           | 1           | ÷5            |
| 0           | OPEN        | ÷10           |

\*Maximum guaranteed output frequency is 160MHz for CMOS and 320MHz for LVPECL output.

Table 3. Crystal Selection Parameters

| PARAMETER                          | SYMBOL           | MIN | TYP | MAX | UNITS |
|------------------------------------|------------------|-----|-----|-----|-------|
| Crystal Oscillation Frequency      | f <sub>OSC</sub> |     | 25  |     | MHz   |
| Shunt Capacitance                  | C <sub>O</sub>   |     | 2.0 | 7.0 | pF    |
| Load Capacitance                   | C <sub>L</sub>   |     | 18  |     | pF    |
| Equivalent Series Resistance (ESR) | R <sub>S</sub>   |     |     | 50  | Ω     |
| Maximum Crystal                    |                  |     |     | 300 | μW    |

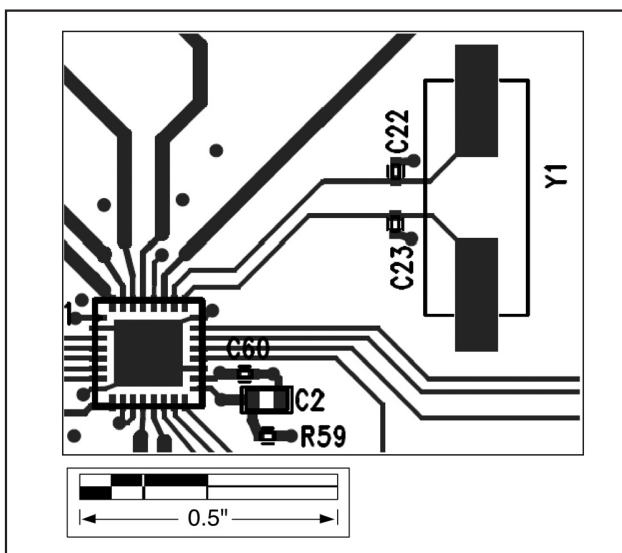


Figure 3. Crystal Layout

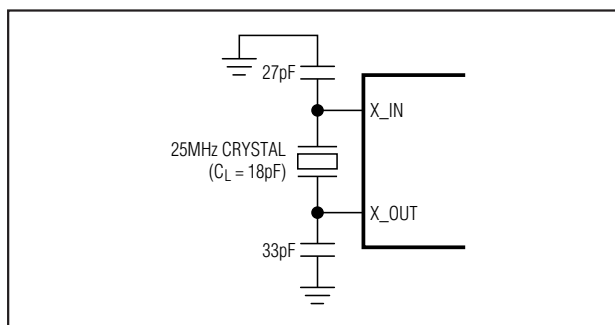


Figure 4. Crystal, Capacitors Connection

### Crystal Input Layout and Frequency Stability

The crystal, trace, and two external capacitors should be placed on the board as close as possible to the MAX3679's X\_IN and X\_OUT pins to reduce crosstalk of active signals into the oscillator.

The layout shown in Figure 3 gives approximately 3pF of trace plus footprint capacitors per side of the crystal (Y1). The dielectric material is FR-4 and dielectric thickness of the reference board is 15 mils. Using a 25MHz crystal and the capacitor values of C22 = 27pF and C23 = 33pF, the measured output frequency accuracy is -14ppm at +25°C ambient temperature.

### Crystal Selection

The crystal oscillator is designed to drive a fundamental mode, AT-cut crystal resonator. See Table 3 for recommended crystal specifications. See Figure 4 for external capacitance connection.

## +3.3V, Low-Jitter Crystal to LVPECL Clock Generator

### Interfacing with LVPECL Outputs

The equivalent LVPECL output circuit is given in Figure 8. These outputs are designed to drive a pair of 50Ω transmission lines terminated with 50Ω to  $V_{TT} = V_{CC} - 2V$ . If a separate termination voltage ( $V_{TT}$ ) is not available, other

termination methods can be used such as shown in Figures 5 and 6. Unused outputs should be disabled and can be left open. For more information on LVPECL terminations and how to interface with other logic families, refer to Application Note 291: *HFAN-01.0: Introduction to LVDS, PECL, and CML*.

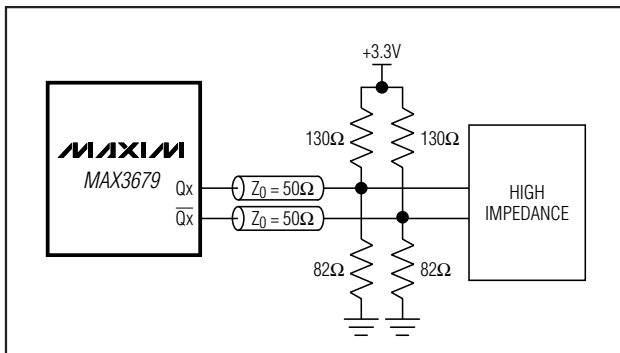


Figure 5. Thevenin Equivalent of Standard PECL Termination

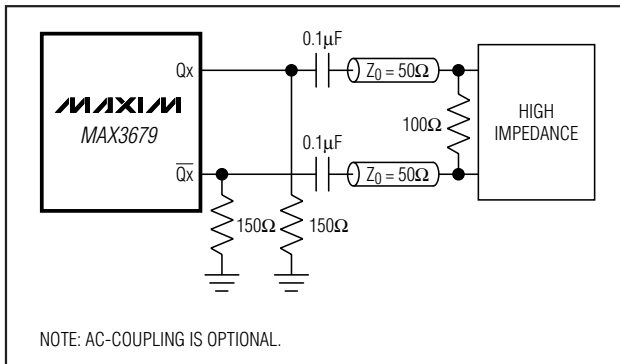


Figure 6. AC-Coupled PECL Termination

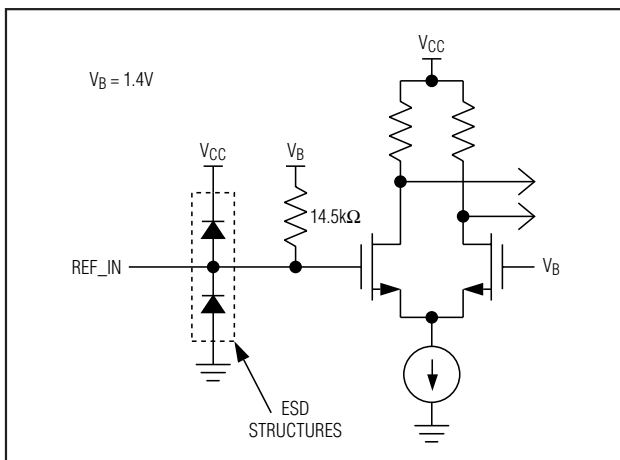


Figure 7. Simplified REF\_IN Pin Circuit Schematic

### Interface Models

Figures 7, 8, and 9 show examples of interface models.

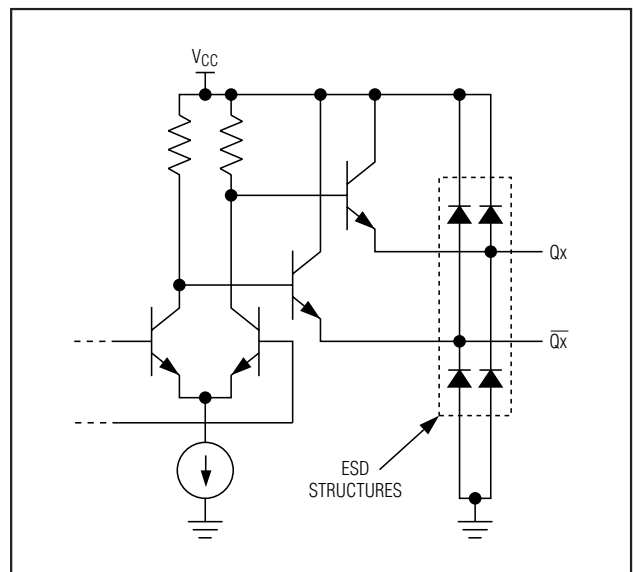


Figure 8. Simplified LVPECL Output Circuit Schematic

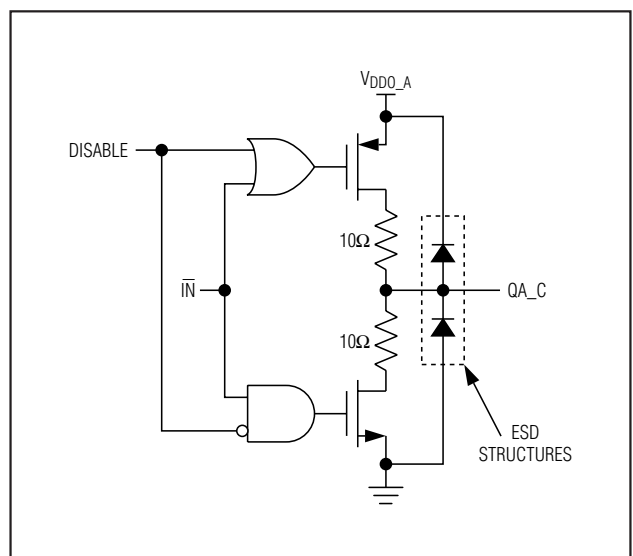


Figure 9. Simplified LVCMOS Output Circuit Schematic

## +3.3V, Low-Jitter Crystal to LVPECL Clock Generator

### Layout Considerations

The inputs and outputs are critical paths for the MAX3679, and care should be taken to minimize discontinuities on these transmission line. Here are some suggestions for maximizing the MAX3679's performance:

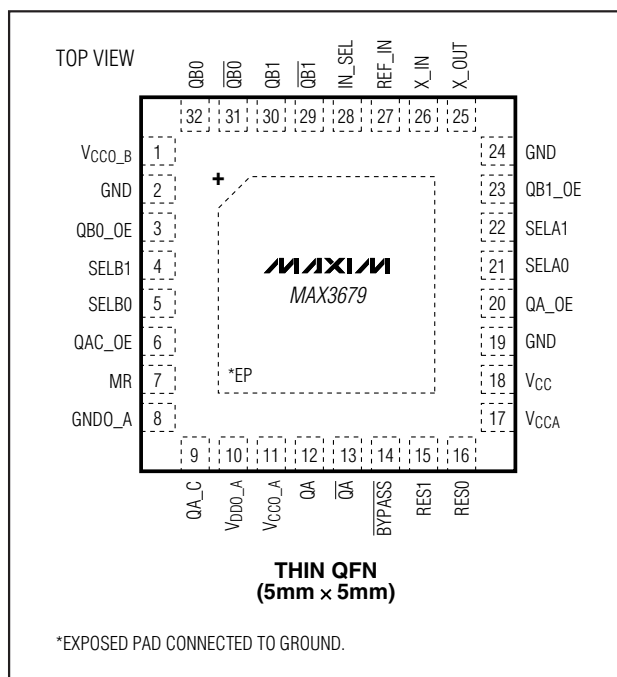
- An uninterrupted ground plane should be positioned beneath the clock I/Os.
- Ground pin vias should be placed close to the IC and the input/output interfaces to allow a return current path to the MAX3679 and the receive devices.
- Supply decoupling capacitors should be placed close to the MAX3679 supply pins.
- Maintain 100Ω differential (or 50Ω single-ended) transmission line impedance out of the MAX3679.
- Use good high-frequency layout techniques and a multilayer board with an uninterrupted ground plane to minimize EMI and crosstalk.

Refer to the MAX3679 Evaluation Kit for more information.

### Exposed-Pad Package

The exposed pad on the 32-pin TQFN package provides a very low inductance path for return current traveling to the PCB ground plane. The pad is also electrical ground on the MAX3679 and must be soldered to the circuit board ground for proper electrical performance.

### Pin Configuration



### Chip Information

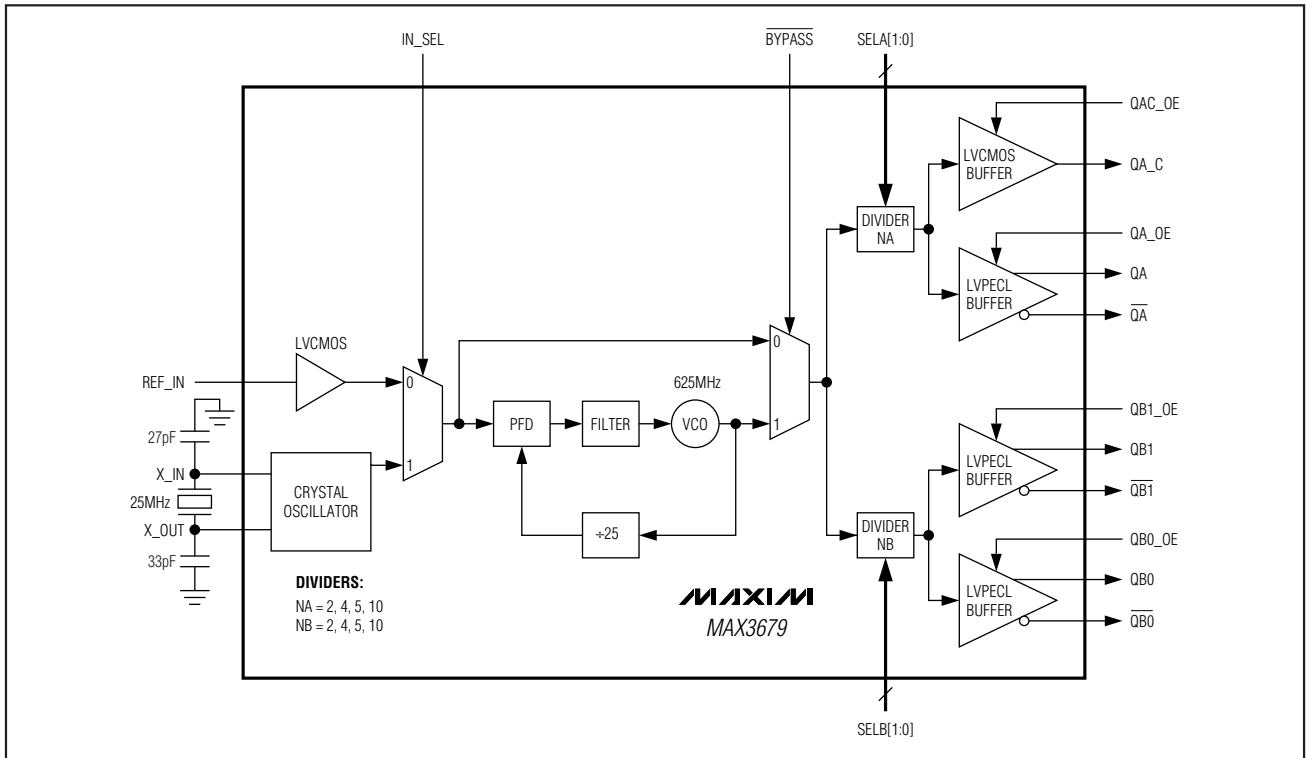
TRANSISTOR COUNT: 10,780

PROCESS: BICMOS

# +3.3V, Low-Jitter Crystal to LVPECL Clock Generator

## Block Diagram

**MAX3679**



## Package Information

For the latest package outline information and land patterns, go to [www.maxim-ic.com/packages](http://www.maxim-ic.com/packages).

| PACKAGE TYPE | PACKAGE CODE | DOCUMENT NO.            |
|--------------|--------------|-------------------------|
| 32 TQFN-EP   | T3255+3      | <a href="#">21-0140</a> |

Maxim cannot assume responsibility for use of any circuitry other than circuitry entirely embodied in a Maxim product. No circuit patent licenses are implied. Maxim reserves the right to change the circuitry and specifications without notice at any time.

Maxim Integrated Products, 120 San Gabriel Drive, Sunnyvale, CA 94086 408-737-7600 \_\_\_\_\_ 11