

## Excellent Integrated System Limited

Stocking Distributor

Click to view price, real time Inventory, Delivery & Lifecycle Information:

[Apem Inc.](#)  
[HG-432IS000-T-U](#)

For any questions, you can email us directly:  
[sales@integrated-circuit.com](mailto:sales@integrated-circuit.com)

**SPECIFICATIONS**

**ELECTRICAL**

SUPPLY VOLTAGE (USB BUS) 5.0V DC  
 SUPPLY CURRENT (USB BUS) 32mA max

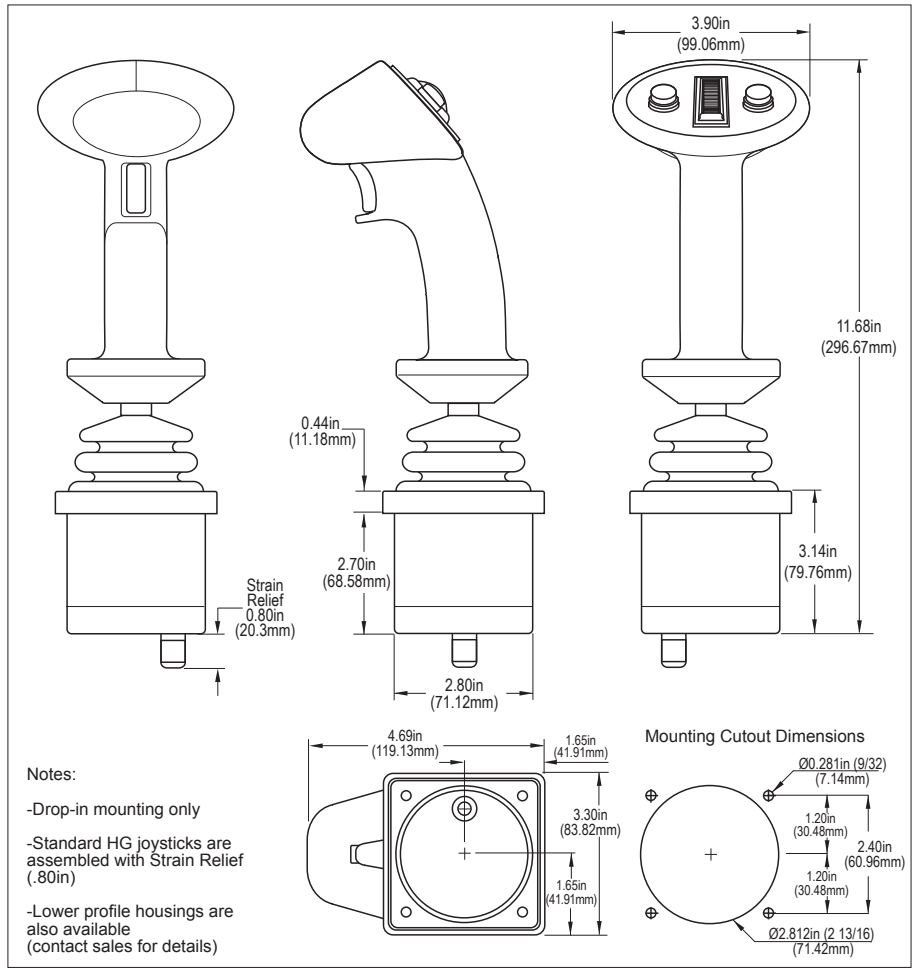
**MECHANICAL**

OPERATING TRAVEL 38° (19° from center)  
 CENTERING Single spring, omnidirectional  
 BREAKOUT FORCE 1.3Nm  
 OPERATING FORCE 1.5Nm  
 MAXIMUM FORCE 1.7Nm  
 OPERATING TEMP -40°C to +85°C  
 LIFE EXPECTANCY 10 million operations

**WIRING**

USB 1.1

RoHS compliant



P/N	<b>HG-432IS000-T-U</b>	REV	<b>A</b>
DESCRIPTION	Series IV-Multi, Oval, 3 Axes, 2 Top Buttons, Thumbwheel, Index Trigger, USB		
PROPRIETARY AND CONFIDENTIAL THE INFORMATION CONTAINED IN THIS DRAWING IS THE SOLE PROPERTY OF CH PRODUCTS. ANY REPRODUCTION IN PART OR AS WHOLE WITHOUT THE WRITTEN PERMISSION OF CH PRODUCTS IS PROHIBITED.			