

Excellent Integrated System Limited

Stocking Distributor

Click to view price, real time Inventory, Delivery & Lifecycle Information:

[Mallory Sonalert Products](#)

[PSR-20N08A-JQ](#)

For any questions, you can email us directly:

sales@integrated-circuit.com

MALLORY Mallory Sonalert Products Inc	Part # PSR-20N08A-JQ
	Revision B

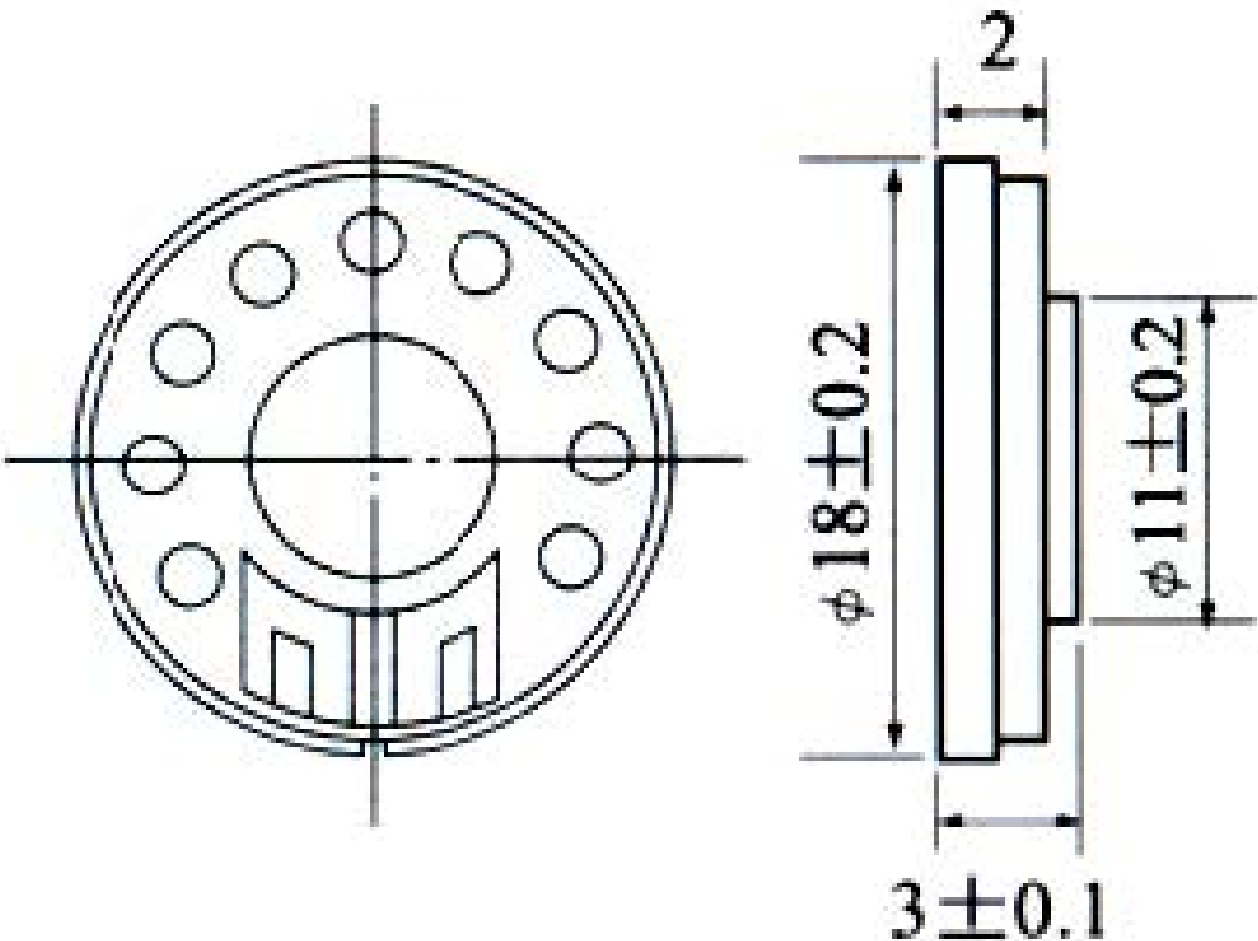
Sales Outline Drawing

Specifications:

Voice Coil Impedance (Ω)	$8 \pm 15\%$ at 800 Hz / 1.0 V
Rated Input (W)	0.25
Max. Input (W)	0.30
Lowest Resonance Freq Fo (Hz)	$900 \pm 20\%$
Frequency Range (Hz)	Fo ~ 5000
Output S.P.L. (dB)	80 ± 3 at 1W 1M .8k, 1k, 1.2k, 1.5kHz
Magnet Size (mm)	$\varnothing 8.0 * 1.0$
Magnet	Ferrite
Core Material Mylar	Black
Frame Material	Metal
Operation / Storage Temp	-25 to 50°C
Options	For other options contact factory

Dimensions: (units: mm)

ROHS Compliant





MALLORY SONALERT PRODUCTS, INC.

PSR-20N08A-JQ

Frequency Response:

