

## Excellent Integrated System Limited

Stocking Distributor

Click to view price, real time Inventory, Delivery & Lifecycle Information:

[Mallory Sonalert Products](#)

[PSR-29F08S02-JQ](#)

For any questions, you can email us directly:

[sales@integrated-circuit.com](mailto:sales@integrated-circuit.com)

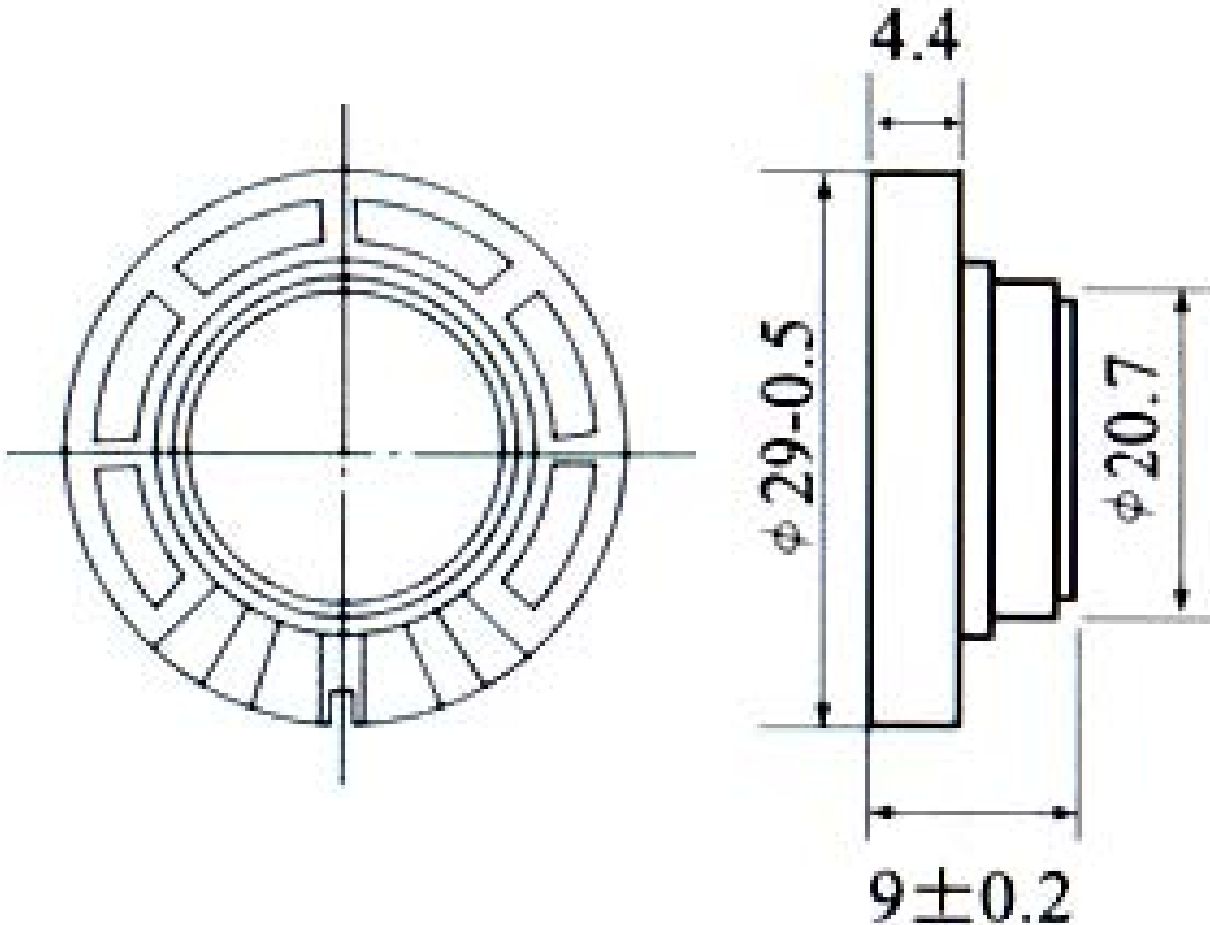
<b>MALLORY</b>	<b>Mallory Sonalert Products Inc.</b>	Part #	<b>PSR-29F08S02-JQ</b>
<b>Sales Outline Drawing</b>		Revision	<b>B</b>

**Specifications:**

Voice Coil Impedance ( $\Omega$ )	$8 \pm 15\%$ at 800 Hz / 1.0 V
Rated Input (W)	0.25
Max. Input (W)	0.5
Lowest Resonance Freq Fo (Hz)	$800 \pm 20\%$
Frequency Range (Hz)	Fo ~ 4500
Output S.P.L. (dB)	$84 \pm 3$ at 1W 1M .8k, 1k, 1.2k, 1.5kHz
Magnet Size (mm)	$\varnothing 21.0 * 0.5$
Magnet	Ferrite
Core Material Mylar	Transparent
Frame Material	Plastic
Operation / Storage Temp	-25 to 50°C
Options	For other options contact factory

**Dimensions:** (units: mm)

**ROHS Compliant**





MALLORY SONALERT PRODUCTS, INC.

## PSR-29F08S02-JQ

### Frequency Response:

