

## Excellent Integrated System Limited

Stocking Distributor

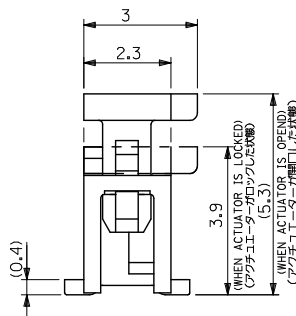
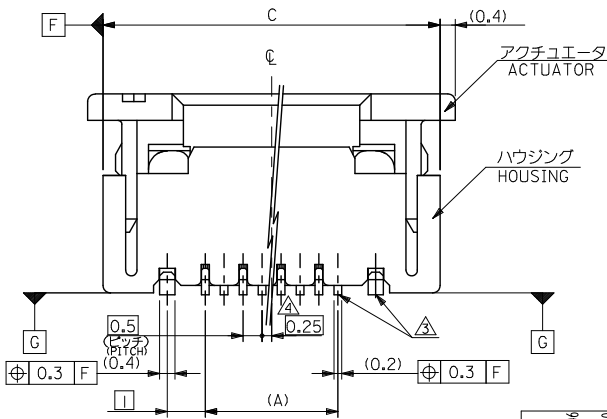
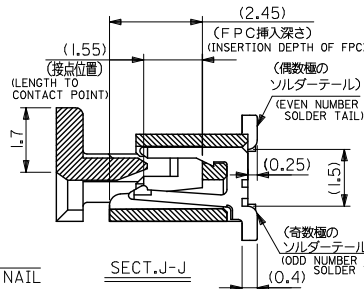
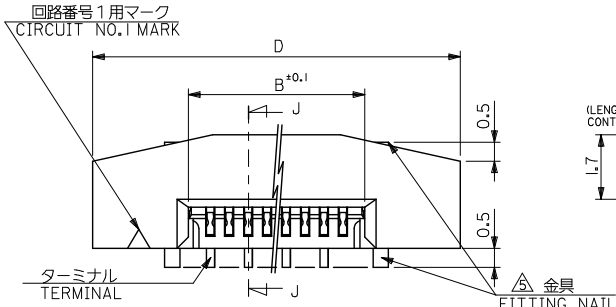
Click to view price, real time Inventory, Delivery & Lifecycle Information:

[Molex Connector Corporation](#)  
[0525591052](#)

For any questions, you can email us directly:

[sales@integrated-circuit.com](mailto:sales@integrated-circuit.com)

10 9 8 7 6 5 4 3 2 1



**注記 NOTES**

- 使用材料: MATERIAL
  - ハウジング HOUSING : 46NYLON UL94V-0
  - アクチュエータ ACTUATOR : PPS UL94V-0
  - ターミナル TERMINAL :
    - リン青銅 (t=0, 2) PHOS-BRO
    - 接点部 金メッキ 0.1マイクromメートル以上 CONTACT GOLD 0.1 MICROMETER MINIMUM
    - 手田付け部 鍍メッキ 1.0マイクromメートル以上 TAIL TIN 1.0 MICROMETER MINIMUM
    - ニッケル下地 1.0マイクromメートル以上 NICKEL (UNDER PLATING) 1.0 MICROMETER MINIMUM
    - リン青銅 (t=0, 4)
  - 金具 FITTING NAIL :
    - 鍍メッキ 1.0マイクromメートル以上 TIN 1.0 MICROMETER MINIMUM
    - ニッケル下地 1.0マイクromメートル以上 NICKEL (UNDER PLATING) 1.0 MICROMETER MINIMUM
- エンボステープ極部は、アクチュエータがロックした状態とする。  
IN THE PACKAGE, ACTUATOR OF PART NO. 52559-\*\*79 SHOULD BE LOCKED.
- ソルダータール半田付け面のズレ量、及び金具半田付け面のズレ量は、基準面 G に対し上下 0.05 MAX., 下方向 0.15 MAX. とする。  
MISALIGNMENT OF SOLDER TAILS AND FITTING NAILS FROM UPPER DIRECTION: 0.05 MAX., LOWER DIRECTION: 0.15 MAX.
- 偶数極に適用。  
APPLY FOR EVEN CIRCUIT.
- パターンはくしり止め用金具。  
FITTING NAIL FOR PREVENTION OF PEELING OF P.C.B. PATTERN.
- RO, 3は、FPCの導体部にカからないこと。  
RO.3 MUST NOT BE OVERLAPPED TO PATTERN OF FPC.

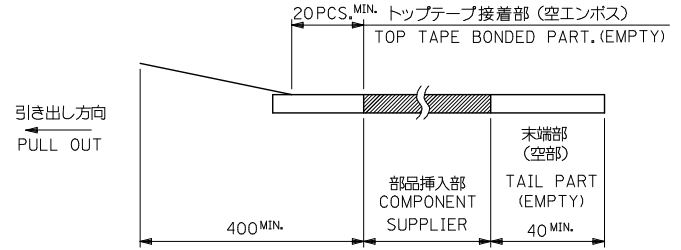
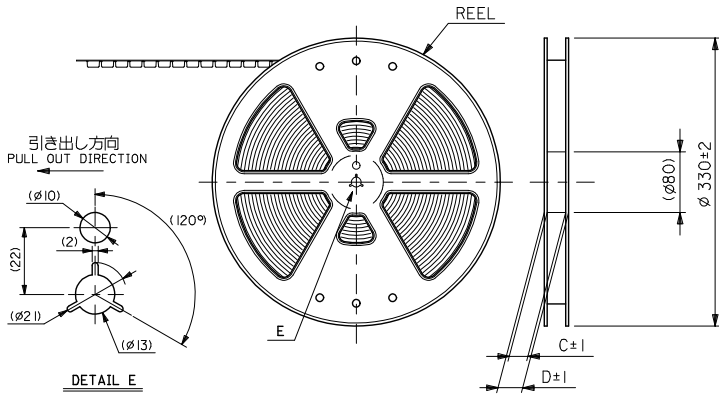
GENERAL TOLERANCES (UNLESS SPECIFIED)			DIMENSION STYLE		SCALE	DESIGN UNITS	THIRD ANGLE PROJECTION	
0.25 UNDER	UNDER	±0.03	MM ONLY		---	METRIC		
0.25 OVER	0.5 UNDER	±0.05	DRAWN BY	DATE	TITLE			
0.5 OVER	1.0 UNDER	±0.1	MINABEI	'04/07/13	0.5 FPC CONN ASSY ZIF.			
1.0 OVER	10 UNDER	±0.2	CHECKED BY	DATE	-LEAD FREE-			
10 OVER	30 UNDER	±0.25	KTOJO	'04/07/13	<b>molex</b>			
30 OVER		±0.3	APPROVED BY	DATE	DOCUMENT NO.			
ANGULAR ±3°			NUKITA	'04/07/13	SD-52559-048			
DRAFT WHERE APPLICABLE MUST REMAIN WITHIN DIMENSIONS			MATERIAL NO.		SEE SHEET 2		SHEET NO.	
			SIZE A3		1 OF 2			
			THIS DRAWING CONTAINS INFORMATION THAT IS PROPRIETARY TO MOLEX INCORPORATED AND SHOULD NOT BE USED WITHOUT WRITTEN PERMISSION					

9 8 7 6 5 4 3 2 1



注記 NOTES

- 製品番号 52559-\*\*-\*\*79 の梱包状態はアクチュエータがロックした状態とする。  
詳細寸法については 製品単体図面を参照下さい。  
IN THE PACKAGE,ACTUATOR OF PART NO.52559-\*\*-\*\*79 SHOULD BE LOCKED  
RE DETAILED DIMENSIONS,SEE ASSY DRAWING
- 梱包数量: 1000個/リール  
NUMBER OF CONNECTORS:1000PCS/REEL
- リードテープ長さ LEAD TAPE LENGTH



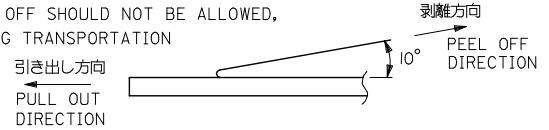
5. 材料      キャリアテープ:ポリプロピレン (PP)  
                 トップテープ:PET, PE, PEF  
                 リール:ポリスチレン (PS) <リサイクル材を含む>

MATERIAL CARRIER TAPE:POLYPROPYLENE  
TOP TAPE:PET,PE,PEF  
REEL:POLYSTYRENE (PS)  
<RECYCLE MATERIAL CONTAINED>

6. 本製品は 52559-\*\*-\*\*53 のエンボステープ違い品である。  
THIS PRODUCT IS EMBOSSED TAPE DIFFERENCE ARTICLE OF 52559-\*\*-\*\*53.

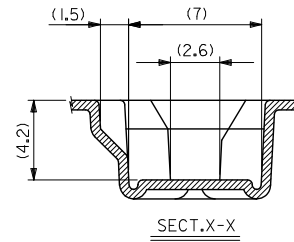
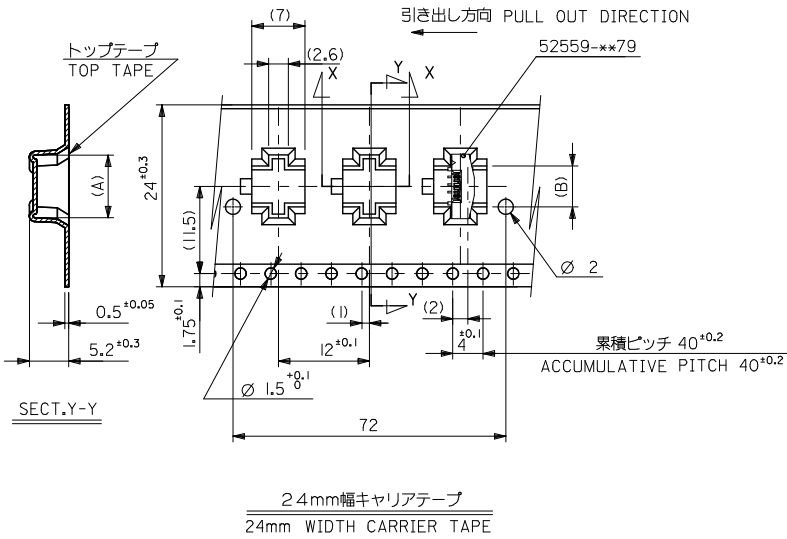
7. 本製品は乾燥剤入り、ハイバリア梱包仕様である。  
THIS PRODUCT IS HIGH BARRIER PACKAGE WITH DESICCANT.

4. トップテープの剥離強度: (剥離方向は下図参照)  
0.1N~1.3N {10gf~130gf} 尚、本規格値は、出荷時に適用。  
(但し、輸送時に剥離が発生しない事。)  
PEELING OFF FORCE OF TOP TAPE  
0.1N~1.3N{10gf~130gf}(PEELING DIRECTION AS SHOWN IN FOLLOWING FIG.)  
THIS REQUIREMENT SHOULD BE APPLIED AT SHIPMENT  
PEEL OFF SHOULD NOT BE ALLOWED,  
DURING TRANSPORTATION



REVISED EC NO: J2016-0020 DRAWN: YUHASSEGAWA 2015/07/06 CHKD: CHIKO APPR: YUOGAWA 2015/07/10	GENERAL TOLERANCES (UNLESS SPECIFIED)			DIMENSION STYLE MM ONLY		SCALE ---	DESIGN UNITS METRIC	THIRD ANGLE PROJECTION
	0.25 UNDER	UNDER	±0.03	DRAWN BY	DATE	TITLE		
	0.25 OVER	0.5 UNDER	±0.05	MNABEI	'04/07/13	0.5 FPC CONN ASSY ZIF FOR SMT EMBSTP PKG -LEAD FREE-		
	0.5 OVER	1.0 UNDER	±0.1	CHECKED BY	DATE	<b>molex</b>		
	1.0 OVER	30 UNDER	±0.2	KTOJO	'04/07/13			
	30 OVER		±0.25	APPROVED BY	DATE	DOCUMENT NO.	SD-52559-049	
ANGULAR	±3 °	±0.3	NUKITA	'04/07/13	MATERIAL NO.	SHEET NO. 1 OF 4		
DRAFT WHERE APPLICABLE MUST REMAIN WITHIN DIMENSIONS				SIZE A3	THIS DRAWING CONTAINS INFORMATION THAT IS PROPRIETARY TO MOLEX INCORPORATED AND SHOULD NOT BE USED WITHOUT WRITTEN PERMISSION			

10 9 8 7 6 5 4 3 2 1



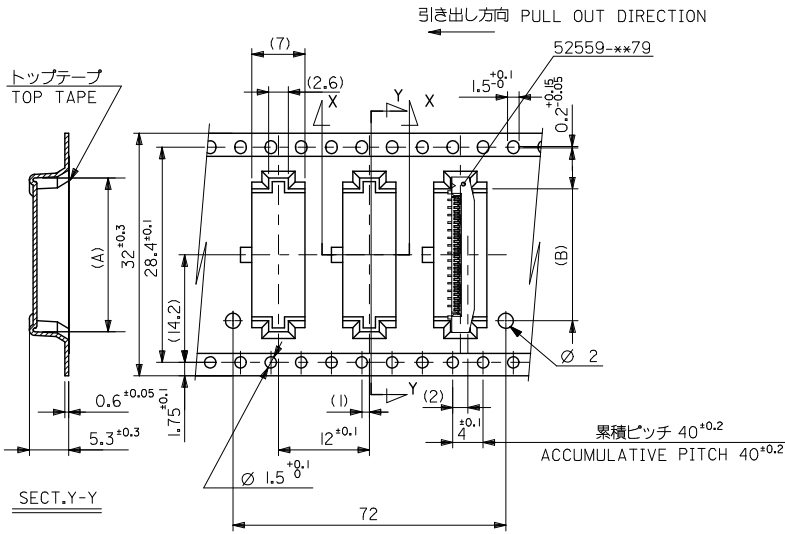
24	29.4	25.4	14.4	17.3	52559-2452	24
			13.9	16.8	52559-2352	23
			12.9	15.8	52559-2152	21
			12.4	15.3	52559-2052	20
			10.9	13.8	52559-1752	17
			10.4	13.3	52559-1652	16
			9.9	12.8	52559-1552	15
			9.4	12.3	52559-1452	14
			8.4	11.3	52559-1252	12
			7.4	10.3	52559-1052	10
			6.9	9.8	52559-0952	9
5.4	8.3	52559-0652	6			

24mm幅キャリアテープ  
24mm WIDTH CARRIER TAPE

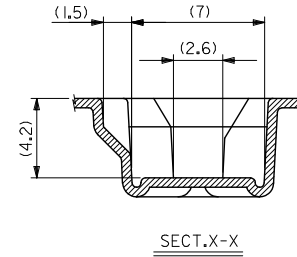
REVISED EC NO: J2016-0020 DRAWN: YUHASSEGAWA 2015/07/06 CHKD: APPR: YUHASSEGAWA 2015/07/10	GENERAL TOLERANCES (UNLESS SPECIFIED)			DIMENSION STYLE		SCALE	DESIGN UNITS	THIRD ANGLE PROJECTION	
	0.25	UNDER	±0.03	MM ONLY		---	METRIC		
	0.25	OVER	±0.05	DRAWN BY		DATE	TITLE		
	0.5	UNDER	±0.1	MNABEI		'04/07/13	0.5 FPC CONN ASSY ZIF FOR SMT EMBSTP PKG -LEAD FREE-		
	0.5	OVER	±0.1	CHECKED BY		DATE	<b>molex</b>		
	1.0	UNDER	±0.2	KTOJO		'04/07/13			
	1.0	OVER	±0.25	APPROVED BY		DATE	DOCUMENT NO. SD-52559-049		
	30	OVER	±0.3	NUKITA		'04/07/13	SHEET NO. 2 OF 4		
	ANGULAR ±3 °			MATERIAL NO.					
	DRAFT WHERE APPLICABLE MUST REMAIN WITHIN DIMENSIONS			SEE CHART		THIS DRAWING CONTAINS INFORMATION THAT IS PROPRIETARY TO MOLEX INCORPORATED AND SHOULD NOT BE USED WITHOUT WRITTEN PERMISSION			

9 8 7 6 5 4 3 2 1

10 9 8 7 6 5 4 3 2 1



32mm幅キャリアテープ  
32mm WIDTH CARRIER TAPE



32	37.4	33.4	18.4	21.3	52559-3252	32
			17.4	20.3	52559-3052	30
			16.4	19.3	52559-2852	28
			15.9	18.8	52559-2752	27
			15.4	18.3	52559-2652	26
キャリアテープ幅 CARRIER TAPE WIDTH	D	C	(B)	(A)	MATERIAL NO.	CIRCUIT NO.

REVISED EC NO: J2016-0020 DRAWN: YUHASSEGAWA 2015/07/06 CHKD: APPR: YNOGAWA 2015/07/10 REV K	GENERAL TOLERANCES (UNLESS SPECIFIED)			DIMENSION STYLE		SCALE	DESIGN UNITS	THIRD ANGLE PROJECTION
	0.25	UNDER	UNDER	±0.03	MM ONLY	---	METRIC	☉
	0.25	OVER	0.5	UNDER	±0.05	DRAWN BY	DATE	TITLE
	0.5	OVER	1.0	UNDER	±0.1	MNABEI	'04/07/13	<b>0.5 FPC CONN ASSY ZIF FOR SMT EMBSTP PKG -LEAD FREE-</b> <b>molex</b>
	1.0	OVER	3.0	UNDER	±0.2	CHECKED BY	DATE	
	3.0	OVER	10	UNDER	±0.25	KTOJO	'04/07/13	
10	OVER	30	UNDER	±0.3	APPROVED BY	DATE		
30	OVER	100	UNDER	±0.3	NUKITA	'04/07/13	DOCUMENT NO.	SHEET NO.
ANGULAR	±3 °		DRAFT WHERE APPLICABLE MUST REMAIN WITHIN DIMENSIONS		SIZE	THIS DRAWING CONTAINS INFORMATION THAT IS PROPRIETARY TO MOLEX INCORPORATED AND SHOULD NOT BE USED WITHOUT WRITTEN PERMISSION		3 OF 4

9 8 7 6 5 4 3 2 1

