

Excellent Integrated System Limited

Stocking Distributor

Click to view price, real time Inventory, Delivery & Lifecycle Information:

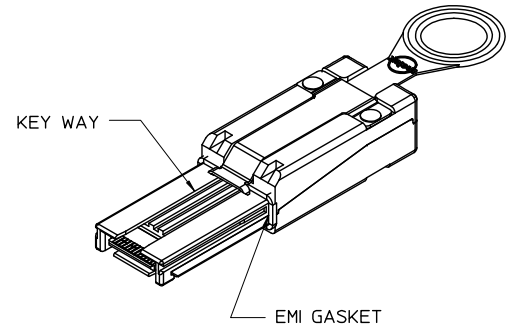
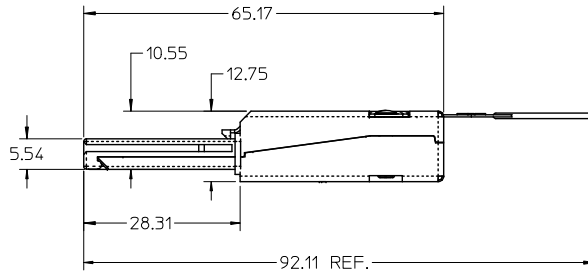
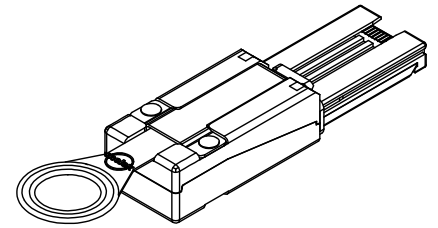
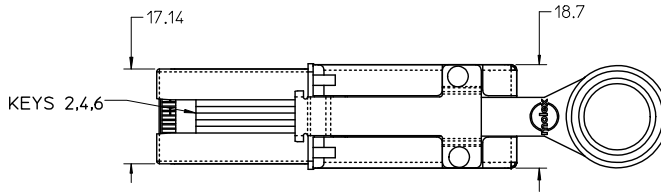
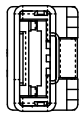
[Molex Connector Corporation](#)

[74547-0399](#)

For any questions, you can email us directly:

sales@integrated-circuit.com

10 9 8 7 6 5 4 3 2 74547



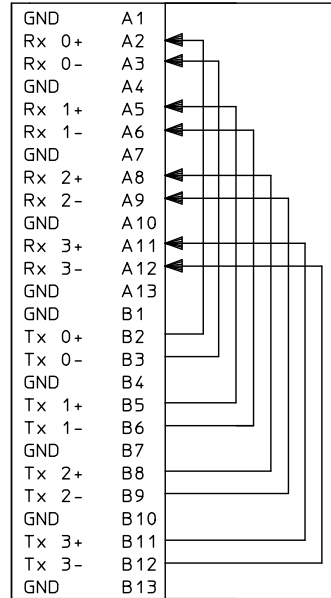
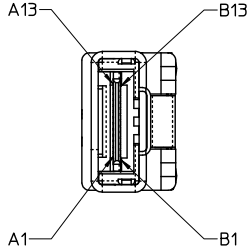
NOTES:

1. MATERIAL-
BACKSHELLS - ZINC DIECAST
PULL - MOLDED PLATIC
2. PLUG MATES TO RECEPTACLE 75586 SERIES, AND EMI HOUSING ASSY, 74548-0100
3. THIS PRODUCT MEETS THE RESTRICTION OF HAZARDOUS SUBSTANCES IN ELECTRICAL AND ELECTRONIC EQUIPMENT (RoHS) DIRECTIVE (2002/95/EC)

ENTER DESCRIPTION EC NO: USY2009-0104 DRAWN: JERWIN CHKD: BSCHOESTER APPROVED: DDE REV: A	QUALITY SYMBOLS ▽=0 ▽=0	GENERAL TOLERANCES (UNLESS SPECIFIED)		DIMENSION STYLE MM/IN		SCALE 1:1	DESIGN UNITS INCH	THIRD ANGLE PROJECTION	
		4 PLACES ±.005 ±.005 3 PLACES ±.005 ±.005 2 PLACES ±0.13 ±.005 1 PLACE ±0.25 ±.005	mm INCH	DRAWN BY JERWIN	DATE 2008/01/15	TITLE LOOPBACK ASSY KEY 2,4,6			
		ANGULAR ±1/2°		CHECKED BY BSCHOESTER	DATE 2008/01/15	APPROVED BY DDOYE			
		DRAFT WHERE APPLICABLE MUST REMAIN WITHIN DIMENSIONS		MATERIAL NO. 745470399	DATE 2008/01/15	MOLEX INCORPORATED		DOCUMENT NO. SD-74547-0399	SHEET NO. 1 OF 2

9 8 7 6 5 4 3 2 1

10 9 8 7 6 5 4 3 2 74547



ENTER DESCRIPTION EC NO: USY2009-0104 DRAWN: JERWIN 2008/09/17 CHKD: BSCHOESTER 2008/09/29 APPROVED: DDOYNE 2008/09/30	QUALITY SYMBOLS	GENERAL TOLERANCES (UNLESS SPECIFIED)		DIMENSION STYLE	SCALE	DESIGN UNITS	THIRD ANGLE PROJECTION	
	▽=0 ▽=0	mm	INCH	MM/IN	1:1	INCH		
		4 PLACES ±---	±---	DRAWN BY	DATE	TITLE		
		3 PLACES ±---	±---	JERWIN	2008/01/15	LOOPBACK ASSY KEY 2,4,6		
	2 PLACES ±0.13	±---	CHECKED BY	DATE	MOLEX INCORPORATED			
	1 PLACE ±0.25	±---	BSCHOESTER	2008/01/15	MATERIAL NO. 745470399		SHEET NO. 2 OF 2	
	ANGULAR ±1/2°	DRAFT WHERE APPLICABLE MUST REMAIN WITHIN DIMENSIONS		APPROVED BY	DATE	DOCUMENT NO. SD-74547-0399		
				DDOYNE	2008/01/15	THIS DRAWING CONTAINS INFORMATION THAT IS PROPRIETARY TO MOLEX INCORPORATED AND SHOULD NOT BE USED WITHOUT WRITTEN PERMISSION		
REV				SIZE				
A				B				

9 8 7 6 5 4 3 2 1