

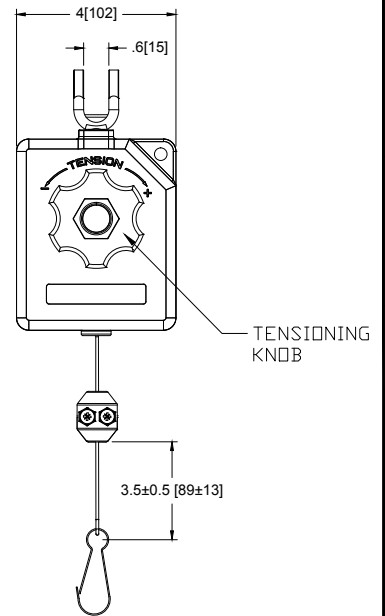
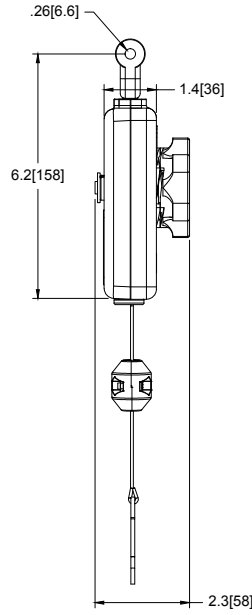
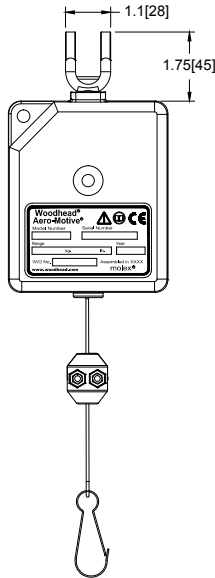
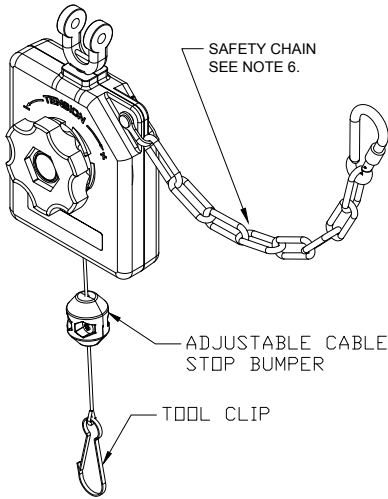
Excellent Integrated System Limited

Stocking Distributor

Click to view price, real time Inventory, Delivery & Lifecycle Information:

[Molex Connector Corporation](#)
[1301730036](#)

For any questions, you can email us directly:
sales@integrated-circuit.com



- NOTES:
1. RETRACTORS ARE 100% INSPECTED & PRE-TENSIONED AT FACTORY.
 2. HOUSINGS ARE MADE OF GENERAL PURPOSE ABS TO MEET HARSH INDUSTRIAL ENVIRONMENTS.
 3. ALWAYS READ INSTRUCTIONS MANUAL BEFORE USING RETRACTORS.
 4. RETRACTORS ARE NOT TO BE USED AS BALANCERS, THEIR MAIN PURPOSE BEING TO RETRACT A LOAD AND NOT TO BALANCE ONE.
 5. OVERALL DIMENSIONS ARE FOR REFERENCE ONLY.
 6. STANDARD CATALOG RETRACTORS ARE NOT EQUIPPED WITH SAFETY CHAIN. BUT IF APPLICATION REQUIRES A SAFETY CHAIN ADD 'SC' SUFFIX TO STANDARD BALANCER P/N. EXAMPLE RB2SC.
 7. RETRACTORS COME WITH A CLEVIS PIN & A CUTTER PIN

ALL DIMENSIONS ARE FOR REFERENCE ONLY.

ADD'NC VERSIONS EC NO: IPG2012-0026 6/1/16 DRAWN: YUJ 2016/06/01 CHECK: MZELINS 2016/06/01 APPR: J.MURPHY 2010/03/31	QUALITY SYMBOLS	GENERAL TOLERANCES (UNLESS SPECIFIED)	DIMENSION STYLE	SCALE	DESIGN UNITS	THIRD ANGLE PROJECTION																				
	$\nabla=0$ $\sphericalangle=0$	<table border="1"> <tr><th colspan="2">mm</th><th colspan="2">INCH</th></tr> <tr><td>4 PLACES</td><td>±---</td><td>±---</td><td>±---</td></tr> <tr><td>3 PLACES</td><td>±---</td><td>±---</td><td>±---</td></tr> <tr><td>2 PLACES</td><td>±---</td><td>±---</td><td>±---</td></tr> <tr><td>1 PLACE</td><td>±---</td><td>±---</td><td>±---</td></tr> </table>	mm		INCH		4 PLACES	±---	±---	±---	3 PLACES	±---	±---	±---	2 PLACES	±---	±---	±---	1 PLACE	±---	±---	±---	IN/MM	NTS	INCH	
	mm		INCH																							
	4 PLACES	±---	±---	±---																						
3 PLACES	±---	±---	±---																							
2 PLACES	±---	±---	±---																							
1 PLACE	±---	±---	±---																							
	ANGULAR ±1°																									
	DRAFT WHERE APPLICABLE MUST REMAIN WITHIN DIMENSIONS																									

DRAWN BY	DATE	TITLE
RHOTCA	2010/03/25	"RB" SERIES OF RETRACTORS
CHECKED BY	DATE	
DT	2010/03/25	
APPROVED BY	DATE	
DTITUS	2010/03/31	
MATERIAL NO.	DOCUMENT NO.	
SEE TABLE	SD-130173-001	
SIZE	THIS DRAWING CONTAINS INFORMATION THAT IS PROPRIETARY TO MOLEX INCORPORATED AND SHOULD NOT BE USED WITHOUT WRITTEN PERMISSION	
B	1 OF 2	

MATERIAL NUMBER:	ENG. NUMBER:	DESCRIPTION	WEIGHT RANGE (KG)	CABLE TRAVEL (M)	WEIGHT RANGE (LB)	CABLE TRAVEL (FT)	COLOR
1301730036	RB2	RB2 RETRACTOR [0-2LB/0-0.9KG], 5.2FT	0 - 0.9	1.6	0 - 2.0	5.2	BLUE
1301730048	RB4	RB4 RETRACTOR [2-4LB/0.9-1.8KG], 5.2FT	0.9 - 1.8	1.6	2.0 - 4.0	5.2	BLUE
1301730043	RB2SC	RB2 RETRACTOR WITH SAFETY CHAIN	0 - 0.9	1.6	0 - 2.0	5.2	BLUE
1301730050	RB4SC	RB4 RETRACTOR WITH SAFETY CHAIN	0.9 - 1.8	1.6	2.0 - 4.0	5.2	BLUE
1301730037	RB210	RB210 RETRACTOR [1-2LB/0.5-0.9KG], 10FT	0.5 - 0.9	3.0	1.0 - 2.0	10.0	BLUE
1301730092	RB2-NC	RB2 RETRACTOR [0-2LB/0-0.9KG], 5.2FT NYLON COATED CABLE	0 - 0.9	1.6	0 - 2.0	5.2	BLUE
1301730093	RB4-NC	RB4 RETRACTOR [2-4LB/0.9-1.8KG], 5.2FT NYLON COATED CABLE	0.9 - 1.8	1.6	2.0 - 4.0	5.2	BLUE

ADD NC VERSIONS EC NO: JPC2012-0026 DRAWN: VOL CHECK: MZELINS APPR: J.MURPHY	6/1/16 2016/06/01 2010/03/31	QUALITY SYMBOLS ▽=0 ∇=0	GENERAL TOLERANCES (UNLESS SPECIFIED)		DIMENSION STYLE IN/MM	SCALE NTS	DESIGN UNITS INCH	THIRD ANGLE PROJECTION	
			mm	INCH	DRAWN BY RHOTCA	DATE 2010/03/25	TITLE "RB" SERIES OF RETRACTORS		
	4 PLACES		±---	±---	CHECKED BY DT	DATE 2010/03/25	MOLEX INCORPORATED		
	3 PLACES		±---	±---	APPROVED BY DTITUS	DATE 2010/03/31	MATERIAL NO. SEE TABLE	DOCUMENT NO. SD-130173-001	SHEET NO. 2 OF 2
2 PLACES	±---	±---	ANGULAR ±1°		DRAFT WHERE APPLICABLE MUST REMAIN WITHIN DIMENSIONS				
1 PLACE	±---	±---	THIS DRAWING CONTAINS INFORMATION THAT IS PROPRIETARY TO MOLEX INCORPORATED AND SHOULD NOT BE USED WITHOUT WRITTEN PERMISSION						

10 9 8 7 6 5 4 3 2 1