

## Excellent Integrated System Limited

Stocking Distributor

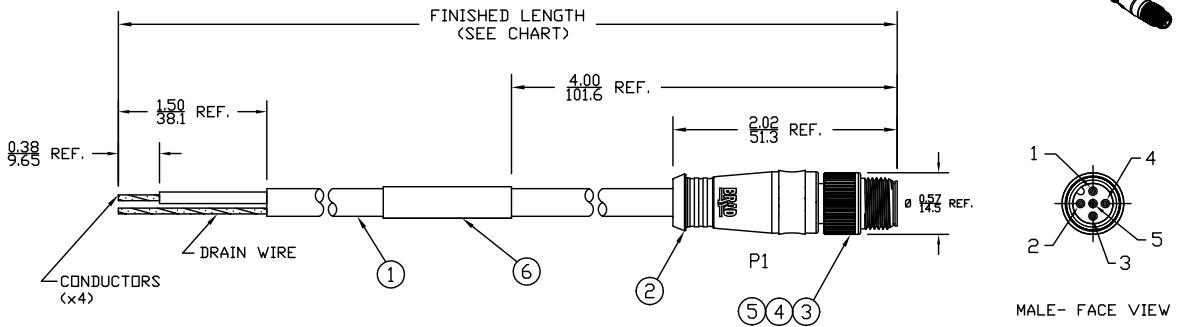
Click to view price, real time Inventory, Delivery & Lifecycle Information:

[Molex Connector Corporation](#)  
[1300270014](#)

For any questions, you can email us directly:

[sales@integrated-circuit.com](mailto:sales@integrated-circuit.com)

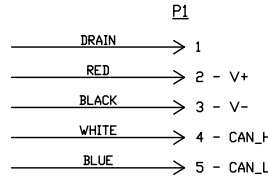
PART NUMBER	ENGINEERING NO.	LENGTH ± TOLERANCE
1300270012	DND02A-M010	3' 3" +2.19"/-0" [ 1M +55.6/-0 mm ]
1300270015	DND02A-M030	9' 10" +3.50"/-0" [ 3M +88.9/-0 mm ]
1300270017	DND02A-M050	16' 5" +6.50"/-0" [ 5M +165.1/-0 mm ]



NOTES:

- 1) MATERIAL: SEE TABLE
- 2) FINISHES: SEE TABLE
- 3) CABLE: #22/4 + DRAIN, DEVICENET THIN  
EACH PAIR: SHIELDED, TWISTED  
OVERALL: SHIELDED, PVC
- 4) ELECTRICAL DATA:  
MAX. VOLTAGE: 250V AC/DC  
MAX. CURRENT 4A
- 5) ENVIRONMENTAL:  
PROTECTION IP67  
TEMPERATURE RANGE: -20°C TO 80°C
- 6) WRAP LABEL IS MARKED WITH P/N, DATE CODE,  
VOLTAGE & AMPERAGE.
- 7) ASSEMBLY IS RoHS COMPLIANT.

SCHEMATIC



ITEM	QTY.	DESCRIPTION	MATERIAL	FINISH
6	1	LABEL	PLASTIC FILM	BLACK/YELLOW
5	1	INSERT	NYLON	BLACK
4	5	PIN CONTACT	COPPER ALLOY	GOLD PLATED
3	1	M12 COUPLING NUT	ZINC DIE-CAST	BLACK
2	1	OVERMOLD	PVC	GRAY
1	1	DEVICENET CABLE	PVC JACKET	GRAY

SD RELEASE EC NO: WNA2010-0076 DRWN: YOU CHKD: BWOODMAN APPR: JFJURPHY 2009/07/10	DESCRIPTION REV: A	QUALITY SYMBOLS ▽=0 ∇=0	GENERAL TOLERANCES (UNLESS SPECIFIED) mm INCH 4 PLACES ±---- ±---- 3 PLACES ±---- ±.005 2 PLACES ±---- ±.010 1 PLACE ±---- ±.020	DIMENSION STYLE IN/MM	SCALE 3:4	DESIGN UNITS INCH	THIRD ANGLE PROJECTION
		DRAWN BY VOU	DATE 2009/07/30	TITLE M12 DEVICENET CABLE ASSY 5P MALE STRAIGHT #22/4 SHLD PVC -THIN STD			
		CHECKED BY BWOODMAN	DATE 2009/07/31	MOLEX INCORPORATED			
		APPROVED BY SEE CHART		MATERIAL NO. SEE CHART	DOCUMENT NO. SD-130027-001	SHEET NO. 1 OF 1	

DRAFT WHERE APPLICABLE MUST REMAIN WITHIN DIMENSIONS

SIZE A THIS DRAWING CONTAINS INFORMATION THAT IS PROPRIETARY TO MOLEX INCORPORATED AND SHOULD NOT BE USED WITHOUT WRITTEN PERMISSION

6

5

4

3

2

1