

## Excellent Integrated System Limited

Stocking Distributor

Click to view price, real time Inventory, Delivery & Lifecycle Information:

[Molex Connector Corporation](#)  
[1300061312](#)

For any questions, you can email us directly:

[sales@integrated-circuit.com](mailto:sales@integrated-circuit.com)

Mini-Change® Cordsets

3P to 5P



# Single-Ended Cordsets

**AUTOMOTIVE**

#16 AWG yellow type SOO cable – auto color code  
 Oil-resistant NBR rubber jacket  
 Low-resistance contact design with gold/palladium nickel plating

	3P	4P	5P
FEMALE FACE VIEW			
COLOR CODE	1- green-gnd 2- red w/ black trace 3- red w/ white trace	1- red w/ black trace 3- red 2- red w/ white trace 4- green-gnd	1- red w/ white trace 4- red w/ orange trace 2- red 5- red w/ black trace 3- green-gnd
VOLTAGE	600V AC/DC	600V AC/DC	600V AC/DC
CURRENT	13A	10A	8A
CONDUCTOR	#16-3	#16-4	#16-5

FEMALE	FIG	SINGLE-ENDED CORDSETS WITH #16 AWG TYPE SOO CABLE 3 FEET LONG		
STRAIGHT	1	103000C01F030	104000C01F030	105000C01F030
90°	2	103001C01F030	104001C01F030	105001C01F030
MATING RECEPTACLE*	5	1R3006A24A120	1R4006A20A120	1R5006A24A120
MALE	FIG	SINGLE-ENDED CORDSETS WITH #16 AWG TYPE SOO CABLE 3 FEET LONG		
STRAIGHT	3	103002C01F030	104002C01F030	105002C01F030
90°	4	103003C01F030	104003C01F030	105003C01F030
MATING RECEPTACLE*	5	1R3004A24A120	1R4004A20A120	1R5004A24A120

### CATALOG OPTIONS

\*See Pages 62 or 46 for additional Mating Receptacles

Use the following chart to modify your part's specifications

103000C01F0301

**CABLE LENGTH**

6'	060
12'	120
20'	200

**COUPLING NUT**

STAINLESS STEEL	...ADD 1
NON-METALLIC	...ADD 2

# Specifications

## CONNECTOR DIMENSIONS

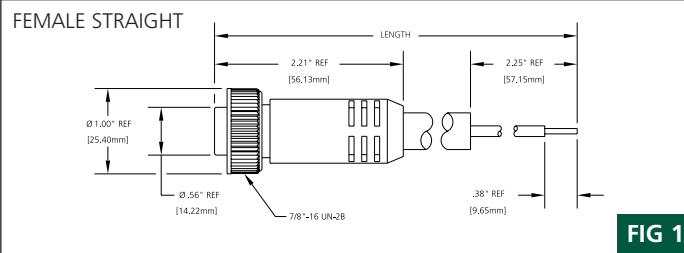


FIG 1

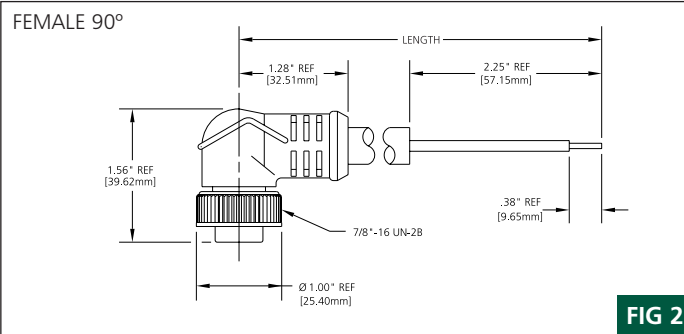


FIG 2

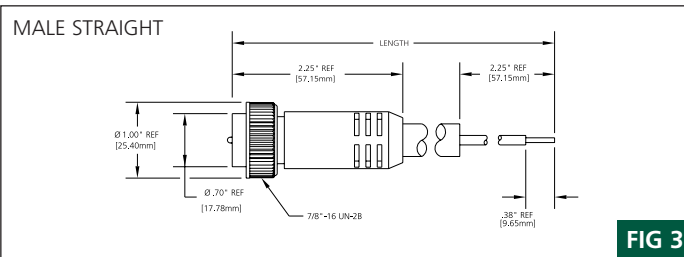
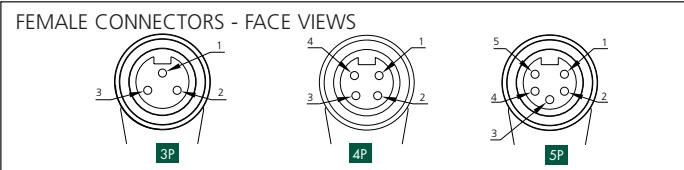


FIG 3

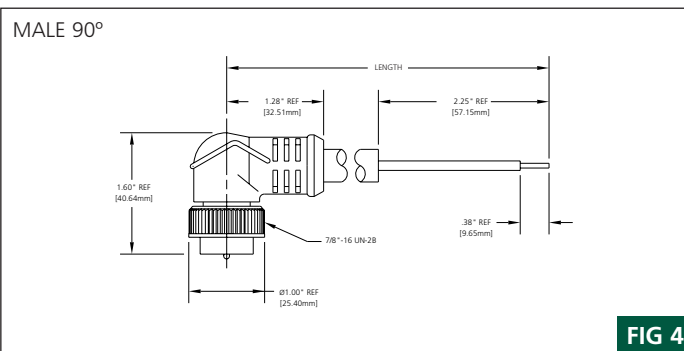
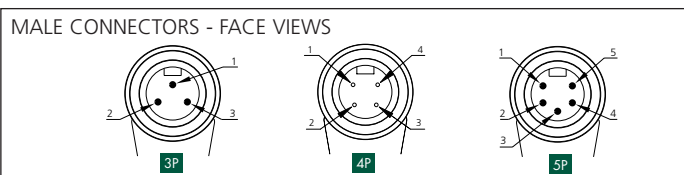


FIG 4



### MECHANICAL

CONNECTOR FACE: PVC - UL STD 94 - V0  
 MOLDED BODY: PVC - UL STD 94 - V0  
 COUPLING NUT: ZINC DIECAST W/ BLACK EPOXY COAT, OPTIONAL STAINLESS STEEL TYPE 303 OR NON-METALLIC GRAY NYLON 6/6

CABLE: YELLOW, #16 AWG, NITRILE RUBBER/PVC JACKET, HYPALON CONDUCTOR INSULATION OVER 65 X #34 COPPER STRANDING, 600V, UL TYPE SOO CSA 50

OUTSIDE DIAMETER:  
 3P - .42" (10.7mm)  
 4P - .45" (11.4mm)  
 5P - .52" (13.2mm)

### ELECTRICAL

VOLTAGE RATING: 600V AC/DC  
 AMPERAGE:  
 3P - 13A  
 4P - 10A  
 5P - 8A

### ENVIRONMENTAL

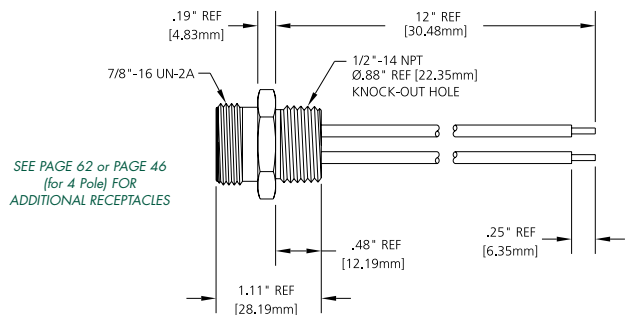
PROTECTION: IP 68, NEMA 6P  
 AMBIENT OPERATING TEMP: -4° TO 194° F (-20° TO 90° C)

### CERTIFICATIONS

UL: UL RECOGNIZED, FILE NO. E46237  
 CSA: CSA CERTIFIED, FILE NO. LR6837

## RECEPTACLE DIMENSIONS

### MALE STRAIGHT WITH 1/2" - 14NPT THREADS FEMALE STRAIGHT WITH 1/2" - 14NPT THREADS



SEE PAGE 62 or PAGE 46  
 (for 4 Pole) FOR  
 ADDITIONAL RECEPTACLES

TYPICAL FACE VIEW TYPICAL KNOCK OUT

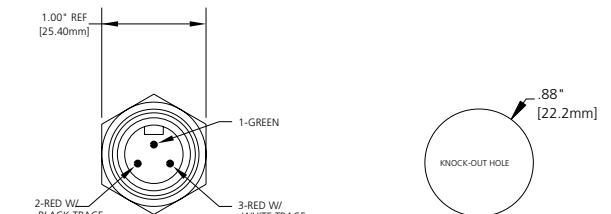


FIG 5

