

Excellent Integrated System Limited

Stocking Distributor

Click to view price, real time Inventory, Delivery & Lifecycle Information:

[Molex Connector Corporation](#)
[1300070045](#)

For any questions, you can email us directly:

sales@integrated-circuit.com

Mini-Change® Cordsets

6P to 8P



Single-Ended Cordsets

#16 AWG yellow ST00W cable – U.S. color code

Oil-resistant PVC jacket

Low-resistance contact design with gold/palladium nickel plating

	6P	7P	8P
FEMALE FACE VIEW			
COLOR CODE	1- orange 2- blue 3- black 4- white 5- red 6- green-gnd	1- white-black trace 2- black 3- white 4- red 5- orange 6- blue 7- green-gnd	1- orange 2- blue 3- white-black trace 4- black 5- white 6- red 7- green-gnd 8- red-black trace
VOLTAGE	600V AC/DC	600V AC/DC	600V AC/DC
CURRENT	8A	8A	7A
CONDUCTOR	#16-6	#16-7	#16-8

FEMALE	FIG	SINGLE-ENDED CORDSETS WITH #16 AWG ST00W CABLE 3 FEET LONG		
STRAIGHT	1	206000A01F030	207000A01F030	208000A01F030
90°	2	206001A01F030	207001A01F030	208001A01F030
MATING RECEPTACLE*	5	2R6006A20A120	2R7006A20A120	2R8006A20A120
MALE	FIG	SINGLE-ENDED CORDSETS WITH #16 AWG ST00W CABLE 3 FEET LONG		
STRAIGHT	3	206002A01F030	207002A01F030	208002A01F030
90°	4	206003A01F030	207003A01F030	208003A01F030
MATING RECEPTACLE*	5	2R6004A20A120	2R7004A20A120	2R8004A20A120

CATALOG OPTIONS

*See Page 76 for additional Mating Receptacles

Use the following chart to modify your part's specifications

206000A01F0301

CABLE LENGTH

6'	060
12'	120
20'	200

COUPLING NUT

STAINLESS STEELADD 1

Specifications

CONNECTOR DIMENSIONS

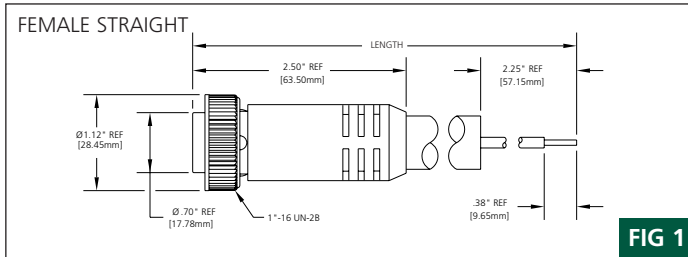


FIG 1

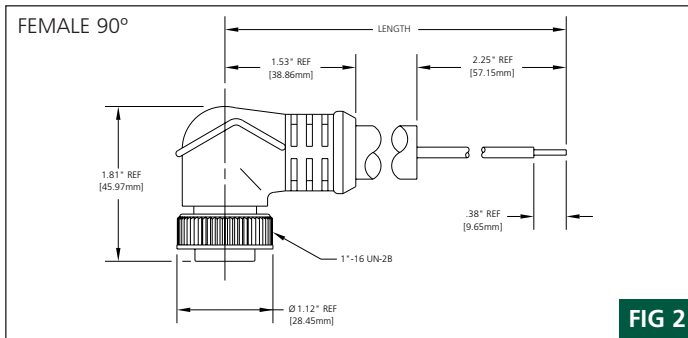


FIG 2

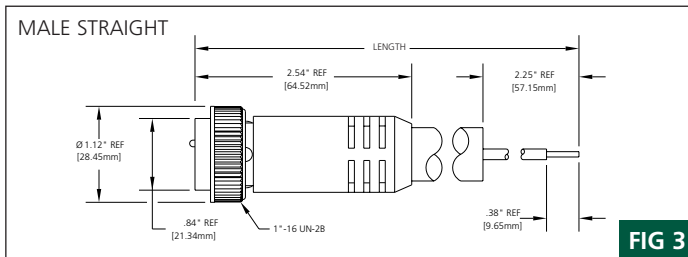
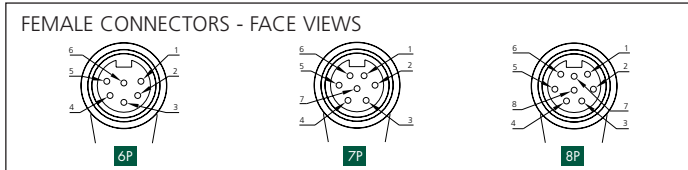


FIG 3

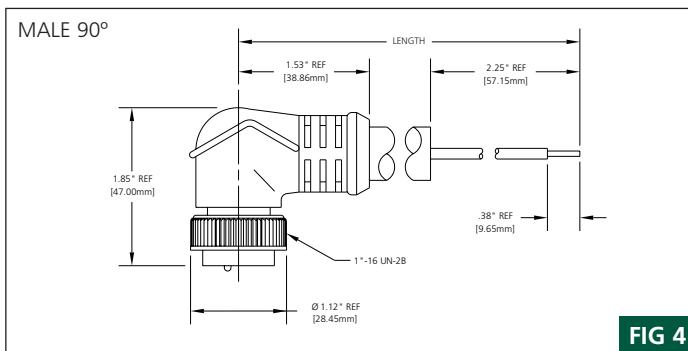
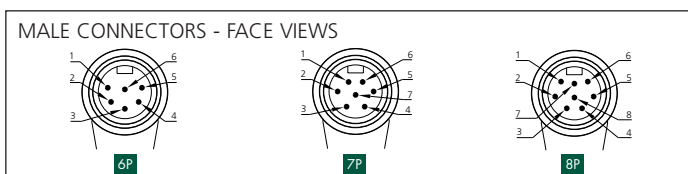


FIG 4



MECHANICAL

CONNECTOR FACE: PVC - UL STD 94 - V0
 MOLDED BODY: PVC - UL STD 94 - V0
 COUPLING NUT: ZINC DIECAST W/ BLACK EPOXY COAT, OPTIONAL STAINLESS STEEL TYPE 303
 CABLE: YELLOW, #16 AWG, PVC JACKET & PVC CONDUCTOR INSULATION OVER 65 X #34 COPPER STRANDING, 600V, UL ST00W CSA ST
 OUTSIDE DIAMETER:
 6P - .54" (13.7mm)
 7P - .54" (13.7mm)
 8P - .61" (15.5mm)

ELECTRICAL

VOLTAGE RATING: 600 V AC/DC
 AMPERAGE:
 6P - 8A
 7P - 8A
 8P - 7A

ENVIRONMENTAL

PROTECTION: IP 68, NEMA 6P
 AMBIENT OPERATING TEMP: -4° to 221° F (-20° to 105° C)

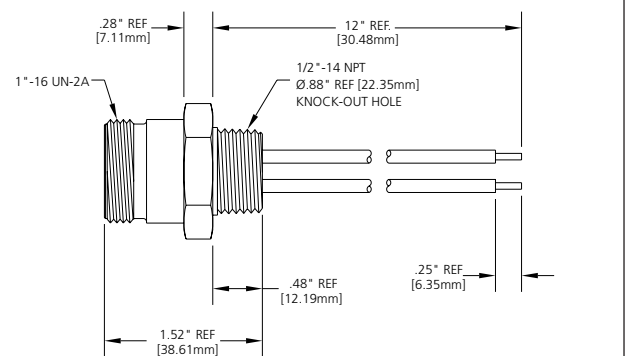
CERTIFICATIONS

UL: UL RECOGNIZED, File No. E46237
 CSA: CSA CERTIFIED, File No. LR6837

RECEPTACLE DIMENSIONS

MALE STRAIGHT WITH 1/2" - 14NPT THREADS
 FEMALE STRAIGHT WITH 1/2" - 14NPT THREADS

SEE PAGE 76 FOR ADDITIONAL RECEPTACLES



TYPICAL FACE VIEW

TYPICAL KNOCK OUT

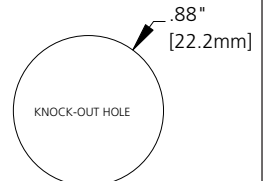
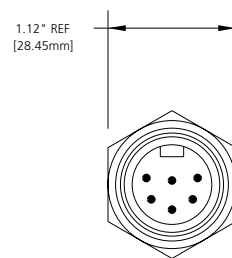


FIG 5

