

Excellent Integrated System Limited

Stocking Distributor

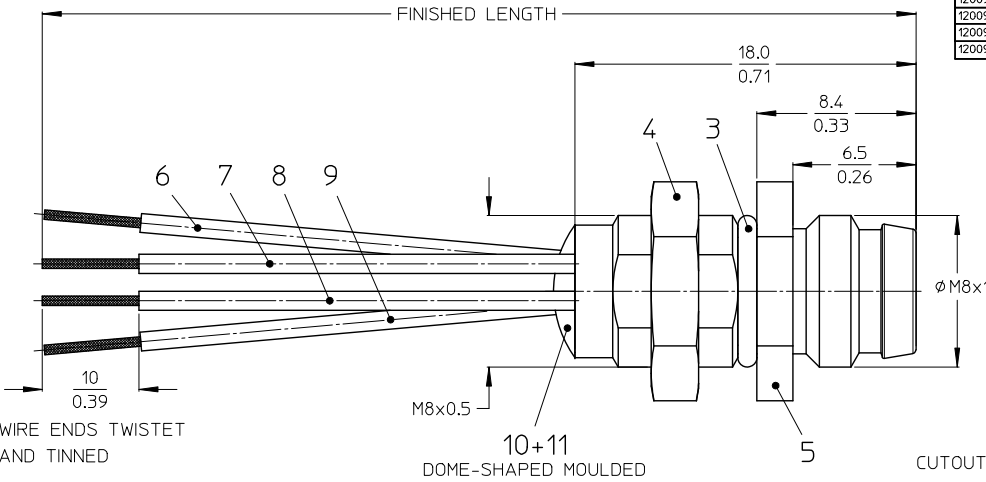
Click to view price, real time Inventory, Delivery & Lifecycle Information:

[Molex Connector Corporation](#)
[1200900032](#)

For any questions, you can email us directly:

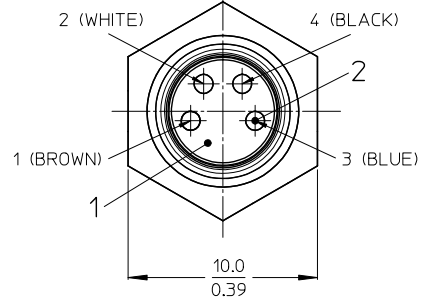
sales@integrated-circuit.com

10 9 8 7 6 5 4 3 2 1

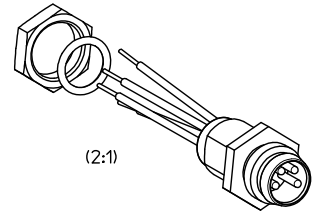
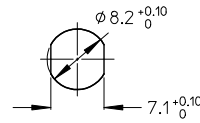


MATERIAL NO.	ENGINEERING NO.	FINISHED LENGTH IN MM/INCH	POLYBAG (MM)
1200900032	4R4P06A27C300	300mm / 11.81"	1203000036 (100x150)
1200900033	4R4P06A27M010	1000mm / 39.87"	1203000038 (180x250)
1200900072	4R4P06A27C220	220mm / 8.66"	1203000036 (100x150)
1200900069	2EPD5	300mm / 11.81"	1203000036 (100x150)

MALE FACE VIEW



CUTOUT



WIRING DIAGRAM

1	BROWN
2	WHITE
3	BLUE
4	BLACK

NOTES:

1. ELECTRICAL SPECIFICATIONS:

VOLTAGE RATING: 60 VAC / 75 VDC
 AMPERAGE RATING: 4 AMPS
 PROTECTION: IP67
 OPERATING TEMPERATURE: -20°C TO 105°C

2. UL CERTIFICATIONS: UL LISTED, FILE NO. E152210

3. CSA CERTIFICATIONS: CSA CERTIFIED, FILE NO. LR6837

4. PACKAGING: SINGLE PARTS PACK INTO POLYBAG (SEE CHART)

5. WINDING SPECIFICATION: ES-120000-020

6. TOLERANCES FOR CABLE TREATMENT UNLESS OTHERWISE STATED WN-00004

ITEM	QTY	COMPONENT	MATERIAL	FINISH
1	1	INSERT	PA12 NATURE	-
2	4	CONTACT PIN	BRASS	AU OVER NI
3	1	GASKET OR	NBR BK	-
4	1	LOCKNUT	BRASS	NI PLATED
5	1	SHELL	BRASS	NI PLATED
6	1	WIRE 24 AWG	PVC BK	-
7	1	WIRE 24 AWG	PVC WH	-
8	1	WIRE 24 AWG	PVC BN	-
9	1	WIRE 24 AWG	PVC BU	-
10	-	POTTING MATERIAL	WEVO RESIN PU 552 FL. NATUR 50	-
11	-	WEVO RESIN HARDNER	-	-

ENTER DESCRIPTION EC NO.: IPG2014-0417 DRAWN:RSCHIEBER 2013/09/02 CHKD:APOHL 2013/09/04 APPR:CBURGER 2013/09/20	QUALITY SYMBOLS ▽=0 ▽=0	GENERAL TOLERANCES (UNLESS SPECIFIED)		DIMENSION STYLE		SCALE 5:1	DESIGN UNITS METRIC	THIRD ANGLE PROJECTION
		mm	INCH	MM/IN	DATE			
1	▽=0	4 PLACES	±---	±---	DRAWN BY	DATE	REC M8 4P MA STR PVC XM M8 FM WIR BRA AU	molex
		3 PLACES	±---	±---	CHECKED BY	DATE		
		2 PLACES	±0.05	±.01	APPROVED BY	DATE		
		1 PLACE	±0.30	±---	MATERIAL NO.	DOCUMENT NO.		
		0 PLACE	±0.50	±---	SEE CHART	SD-120090-040		
DRAFT WHERE APPLICABLE MUST REMAIN WITHIN DIMENSIONS		ANGULAR ± 1°		SIZE A3		THIS DRAWING CONTAINS INFORMATION THAT IS PROPRIETARY TO MOLEX INCORPORATED AND SHOULD NOT BE USED WITHOUT WRITTEN PERMISSION		SHEET NO. 1 OF 1

9 8 7 6 5 4 3 2 1