

Excellent Integrated System Limited

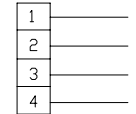
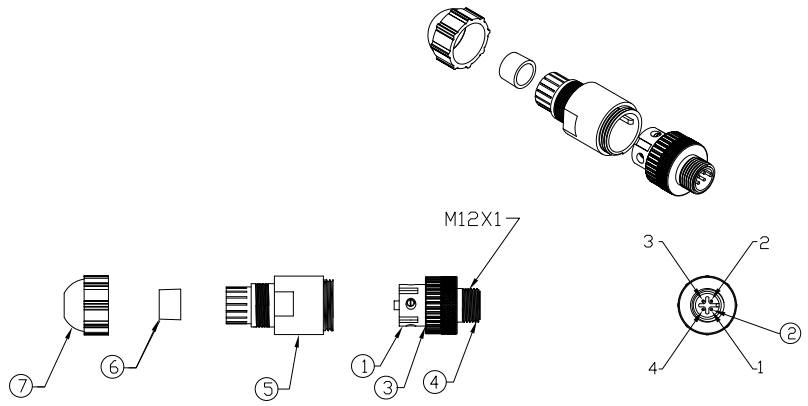
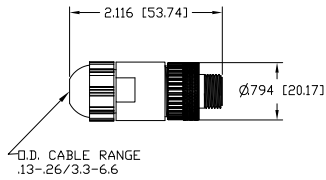
Stocking Distributor

Click to view price, real time Inventory, Delivery & Lifecycle Information:

[Molex Connector Corporation](#)
[1200710038](#)

For any questions, you can email us directly:
sales@integrated-circuit.com

MATERIAL NUMBER	ENGINEERING NUMBER
1200710038	8A4006-31



WIRING CHART

ITEM		COMPONENT	MATERIAL	FINISH
1	1	INSERT	POLYAMIDE	BLACK
2	4	CONTACTS	COPPER ALLOY	SILVER PLATED
3	1	O-RING	NITRILE	BLACK
4	1	COUPLING NUT	BRASS	NICKEL PLATED
5	1	MOLDED BODY	POLYAMIDE	BLACK
6	1	GROMMET	NITRILE	BLACK
7	1	CORD GRIP BODY	POLYAMIDE	BLACK

VOLTAGE RATING	250VAC/300VDC
AMPERAGE RATING	4 AMPS
PROTECTION	IP67
OPERATING TEMPERATURE	-25°C TO 90°C
CSA CERTIFICATIONS	CSA CERTIFIED, FILE NO. LR6837

RELEASE EC NO: WEL2010-0045 DRAWN: TWOLDEGE 8/7/08 CHKD: BWOODMAN APPR: JMCURPHY 2009/08/21 REV: A	QUALITY SYMBOL ▽=0 ▽=0 ANGLUAR ±---° DRAFT WHERE APPLICABLE MUST REMAIN WITHIN DIMENSIONS	GENERAL TOLERANCES (UNLESS SPECIFIED)		DIMENSION STYLE	SCALE	DESIGN UNITS	THIRD ANGLE PROJECTION	
		mm	INCH	----	----	INCH	☉	
		4 PLACES	±---	±---	DRAWN BY	DATE	TITLE	
		3 PLACES	±---	±---	TWOLDEGE	2009/08/07	MIC 4P MALE ATTACH	
			2 PLACES	±---	±.01	CHECKED BY	DATE	
			1 PLACE	±0.3	±---	BWOODMAN	2009/08/10	
			APPROVED BY		DATE	MATERIAL NO.	DOCUMENT NO.	
						1200710038	SD-120071-003	
						SIZE C	SHEET NO. 1 OF 1	
			THIS DRAWING CONTAINS INFORMATION THAT IS PROPRIETARY TO MOLEX INCORPORATED AND SHOULD NOT BE USED WITHOUT WRITTEN PERMISSION					