



Distributor of Molex Connector Corporation: Excellent Integrated System Limited

Datasheet of 1300980086 - MAX-LOC 1/2 .500-.562 W/O-RING

Contact us: sales@integrated-circuit.com Website: www.integrated-circuit.com

Excellent Integrated System Limited

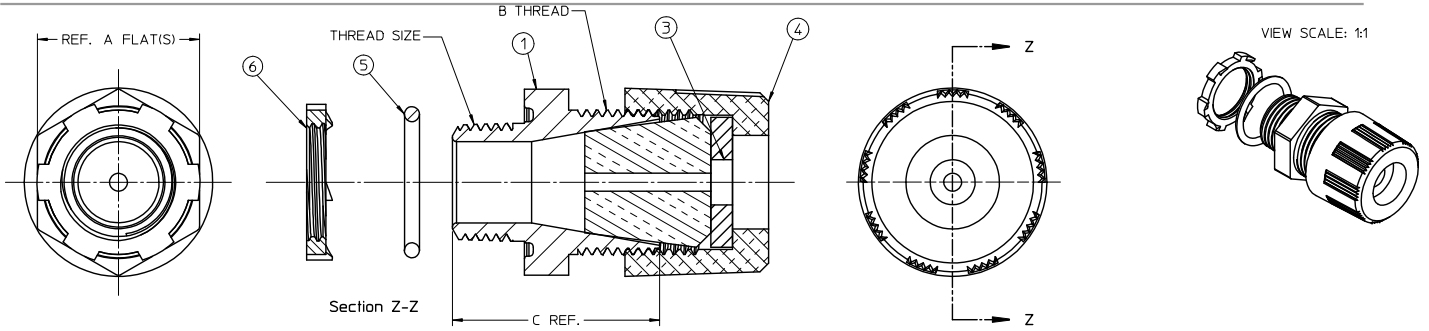
Stocking Distributor

Click to view price, real time Inventory, Delivery & Lifecycle Information:

[Molex Connector Corporation](#)
[1300980086](#)

For any questions, you can email us directly:

sales@integrated-circuit.com



MATERIAL NO.	OLD PART NO.	THREAD SIZE	CABLE DIA. RANGE	A	B	C	ITEM 1 COLOR	ITEM 2 MATERIAL	ITEM 2 COLOR	ITEM 3 MATERIAL	ITEM 4 MATERIAL	ITEM 4 COLOR
1300980038	5518W	1/2" NPT	.062-.125 / 1.57-3.18	1.13 / 28.7	1"-14	1.44 / 36.6	GRAY	NITRILE	BLACK	HDPE	NYLON	GRAY
1300980043	5520W		.125-.187 / 3.18-4.75						YELLOW			
1300980049	5522W		.187-.250 / 4.75-6.35						ORANGE			
1300980056	5524W		.250-.312 / 6.35-7.92						BLACK			
1300980064	5526W		.312-.375 / 7.92-9.53						GRAY			
1300980071	5528W		.375-.437 / 9.53-11.10						GREEN			
1300980078	5530W		.437-.500 / 11.10-12.70						ORANGE			
1300980086	5532W		.500-.562 / 12.70-14.27						BLACK			
1300980215	5620W	3/4" NPT	.187-.250 / 4.75-6.35	1.38 / 35.1	1 1/4-14	1.69 / 42.9	GRAY	NITRILE	ORANGE	HDPE	NYLON	GRAY
1300980221	5622W		.250-.375 / 6.35-9.53						GRAY			
1300980227	5624W		.375-.437 / 9.53-11.10						GREEN			
1300980099	5536W		.437-.562 / 11.10-14.27						BLACK			
1300980107	5538W		.500-.625 / 12.70-15.87						GRAY			
1300980114	5540W		.562-.687 / 14.27-17.45						GREEN			
1300980121	5542W		.625-.750 / 15.87-19.05						ORANGE			

NOTES:

1. MATERIAL: SEE TABLE
2. FINISHES: SEE TABLE
3. NEMA RATING: NEMA 6P
4. RoHS COMPLIANT: YES

6	1	LOCKNUT	STEEL	ZINC PLATED
5	1	O-RING FOR 3/4" BODY	BUNA-N	BLACK
		O-RING FOR 1/2" BODY	NEOPRENE	BLACK
4	1	COMPRESSION NUT	SEE CHART	SEE CHART
3	1	COMPRESSION RING	SEE CHART	NATURAL (WHITE)
2	1	GROMMET	SEE CHART	SEE CHART
1	1	STRAIGHT MALE BODY	NYLON	SEE CHART
ITEM	QTY.	DESCRIPTION	MATERIAL	FINISH

<p>RELEASED</p> <p>EC NO: WNA2009-0534</p> <p>2009/03/11</p> <p>DRW: R. STONE</p> <p>CHK: B. WOODMAN</p> <p>APP: J. MURPHY</p> <p>2009/04/17</p> <p>DESCRIPTION</p> <p>REV</p>	QUALITY SYMBOLS	GENERAL TOLERANCES (UNLESS SPECIFIED)	DIMENSION STYLE	SCALE	DESIGN UNITS	THIRD ANGLE PROJECTION																																		
	<p>▽=0</p> <p>▽=0</p>	<table border="1"> <thead> <tr> <th></th> <th>mm</th> <th>INCH</th> </tr> </thead> <tbody> <tr> <td>4 PLACES</td> <td>± .125</td> <td>± .005</td> </tr> <tr> <td>3 PLACES</td> <td>± .150</td> <td>± .006</td> </tr> <tr> <td>2 PLACES</td> <td>± .175</td> <td>± .007</td> </tr> <tr> <td>1 PLACE</td> <td>± .200</td> <td>± .008</td> </tr> </tbody> </table> <p>ANGULAR ±1/2°</p>		mm	INCH	4 PLACES	± .125	± .005	3 PLACES	± .150	± .006	2 PLACES	± .175	± .007	1 PLACE	± .200	± .008	<table border="1"> <thead> <tr> <th>DRAWN BY</th> <th>DATE</th> </tr> </thead> <tbody> <tr> <td>R. STONE</td> <td>2009/03/05</td> </tr> <tr> <th>CHECKED BY</th> <th>DATE</th> </tr> <tr> <td>B. WOODMAN</td> <td>2009/03/07</td> </tr> <tr> <th>APPROVED BY</th> <th>DATE</th> </tr> <tr> <td>J. MURPHY</td> <td>2009/03/09</td> </tr> </tbody> </table>	DRAWN BY	DATE	R. STONE	2009/03/05	CHECKED BY	DATE	B. WOODMAN	2009/03/07	APPROVED BY	DATE	J. MURPHY	2009/03/09	<table border="1"> <thead> <tr> <th>TITLE</th> </tr> </thead> <tbody> <tr> <td>MAX-LOC STRAIN RELIEF CORD GRIP, STRAIGHT MALE WITH O-RING</td> </tr> </tbody> </table>	TITLE	MAX-LOC STRAIN RELIEF CORD GRIP, STRAIGHT MALE WITH O-RING	<table border="1"> <thead> <tr> <th>MATERIAL NO.</th> <th>DOCUMENT NO.</th> <th>SHEET NO.</th> </tr> </thead> <tbody> <tr> <td>SEE CHART</td> <td>SD-130098-004</td> <td>1 OF 1</td> </tr> </tbody> </table>	MATERIAL NO.	DOCUMENT NO.	SHEET NO.	SEE CHART	SD-130098-004	1 OF 1
		mm	INCH																																					
	4 PLACES	± .125	± .005																																					
3 PLACES	± .150	± .006																																						
2 PLACES	± .175	± .007																																						
1 PLACE	± .200	± .008																																						
DRAWN BY	DATE																																							
R. STONE	2009/03/05																																							
CHECKED BY	DATE																																							
B. WOODMAN	2009/03/07																																							
APPROVED BY	DATE																																							
J. MURPHY	2009/03/09																																							
TITLE																																								
MAX-LOC STRAIN RELIEF CORD GRIP, STRAIGHT MALE WITH O-RING																																								
MATERIAL NO.	DOCUMENT NO.	SHEET NO.																																						
SEE CHART	SD-130098-004	1 OF 1																																						
DRAFT WHERE APPLICABLE MUST REMAIN WITHIN DIMENSIONS		THIS DRAWING CONTAINS INFORMATION THAT IS PROPRIETARY TO MOLEX INCORPORATED AND SHOULD NOT BE USED WITHOUT WRITTEN PERMISSION																																						
		SIZE C																																						