

Excellent Integrated System Limited

Stocking Distributor

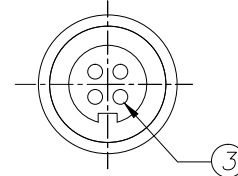
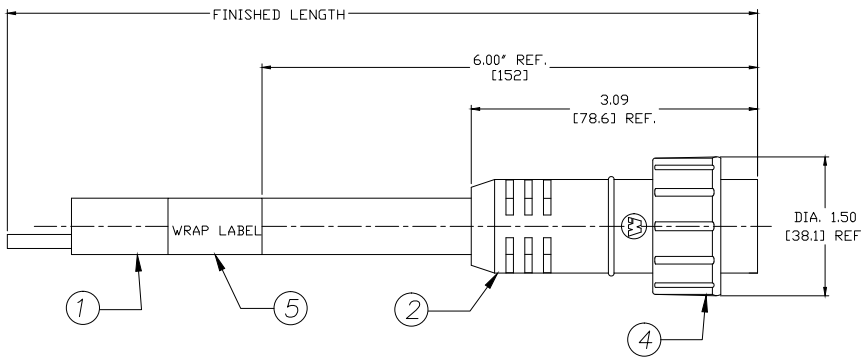
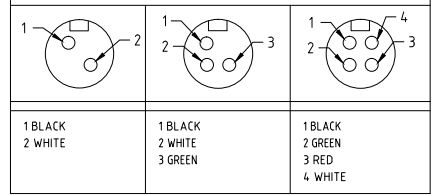
Click to view price, real time Inventory, Delivery & Lifecycle Information:

[Molex Connector Corporation](#)
[1300000076](#)

For any questions, you can email us directly:

sales@integrated-circuit.com

FACE VIEW-FEMALE INSERT



CONNECTOR SPECIFICATION:

VOLTAGE RATING	600V AC/DC
AMPERAGE RATING	2P: 18 AMPS, 3P: 18 AMPS, 4P: 15 AMPS
PROTECTION	IP67
OPERATING TEMP.	-20°C TO 105°C
UL CERTIFICATIONS	UL RECOGNIZED, FILE NO. E46237

POLES	MATERIAL NO.	ENGINEERING NO.	FINISHED LENGTH
4	1300000074	32638	6.0 FT. +2.19"-0 [183CM+56mm-0]
4	1300000076	32639	12.0 FT. +3.50"-0 [366 CM +89mm-0]

ITEM	COMPONENT	MATERIAL	FINISH
5	LABEL	VINYL	YELLOW
4	COUPLING	THERMOPLASTIC	BLACK
3	CONTACT SOCKET	COPPER ALLOY	UN-PLATED
2	OVERMOLD	RUBBER	YELLOW
1	CABLE-14 AWG SDW	CPE JACKET	YELLOW

RELEASED EC NO: IPC2013/0683 DRWN: RSTONE 2012/11/20 CHKD: K JOZWIK APPR: JFMURPHY 2013/02/07 REV DESCRIPTION	QUALITY SYMBOLS	GENERAL TOLERANCES (UNLESS SPECIFIED)	DIMENSION STYLE	SCALE	DESIGN UNITS	THIRD ANGLE PROJECTION
	▽=0	mm INCH	INCH/MM	---	INCH	☉
	∇=0	4 PLACES ±--- ±---	DRAWN BY DATE			
	∇=0	3 PLACES ±--- ±---	RSTONE 2012/11/20	TITLE		
	2 PLACES ±--- ±.01	CHECKED BY DATE	QUICK CHANGE CABLE ASSY			
	1 PLACE ±0.3 ±---	K JOZWIK 2012/11/28	2-4P FEMALE, 14 AWG			
	ANGULAR ±2°	APPROVED BY DATE	MOLEX INCORPORATED			
	DRAFT WHERE APPLICABLE MUST REMAIN WITHIN DIMENSIONS	JFMURPHY 2013/02/07	MATERIAL NO.	DOCUMENT NO.	SHEET NO.	
			SEE CHART	SD-130000-004	1 OF 1	
			SIZE B	THIS DRAWING CONTAINS INFORMATION THAT IS PROPRIETARY TO MOLEX INCORPORATED AND SHOULD NOT BE USED WITHOUT WRITTEN PERMISSION		

10 9 8 7 6 5 4 3 2 1