

## Excellent Integrated System Limited

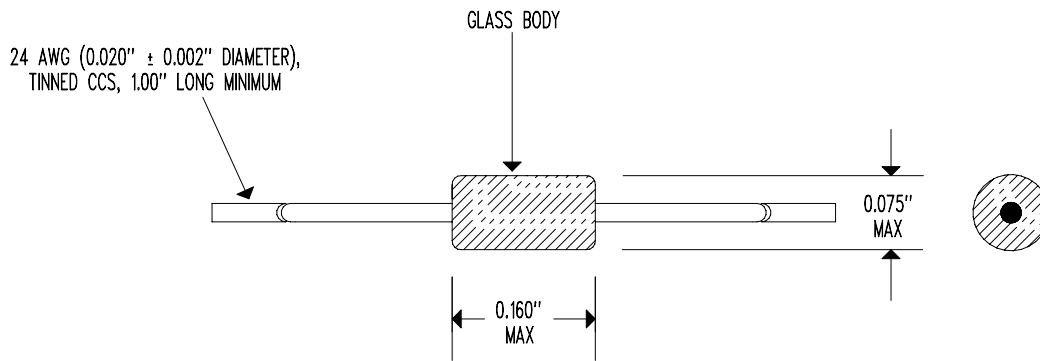
Stocking Distributor

Click to view price, real time Inventory, Delivery & Lifecycle Information:

[US Sensor](#)  
[104JM1A](#)

For any questions, you can email us directly:

[sales@integrated-circuit.com](mailto:sales@integrated-circuit.com)



RESISTANCE @ +25°C = 100,000 Ω NOMINAL  
 ACCURACY (0 TO +100°C) = ± 1.0°C  
 RESISTANCE/TEMPERATURE CURVE = "J"  
 TEMPERATURE COEFFICIENT @ +25°C = -4.4%/°C NOMINAL  
 BETA "β" (0 TO +50°C) = 3,892°K NOMINAL  
 DISSIPATION CONSTANT = 2 mW/°C NOMINAL (STILL AIR)  
 THERMAL TIME CONSTANT = 5 SECONDS NOMINAL (STILL AIR)  
 THERMAL TIME CONSTANT = 0.5 SECONDS NOMINAL (WELL STIRRED OIL)  
 MAXIMUM TEMPERATURE RATING = +300°C

NONE	RELEASE TO PRODUCTION	04/30/03	DD
REV	REVISION RECORD	DATE	APP

SCALE NONE	© COPYRIGHT <b>U.S. SENSOR CORP.</b> 714-639-1000 www.ussensor.com <b>NTC THERMISTOR</b> P/N 104JM1A
DRAWN BY DAN DANKERT	
DATE 04/30/03	
REV. NONE	
LAYER 0 OF 1	