



Distributor of CTS Electronic Components: Excellent Integrated System Limited

Datasheet of 2425-001-X5W0-502AALF - CAP FEEDTHRU 5000PF 200V X5W

Contact us: sales@integrated-circuit.com Website: www.integrated-circuit.com

Excellent Integrated System Limited

Stocking Distributor

Click to view price, real time Inventory, Delivery & Lifecycle Information:

[CTS Electronic Components](#)

[2425-001-X5W0-502AALF](#)

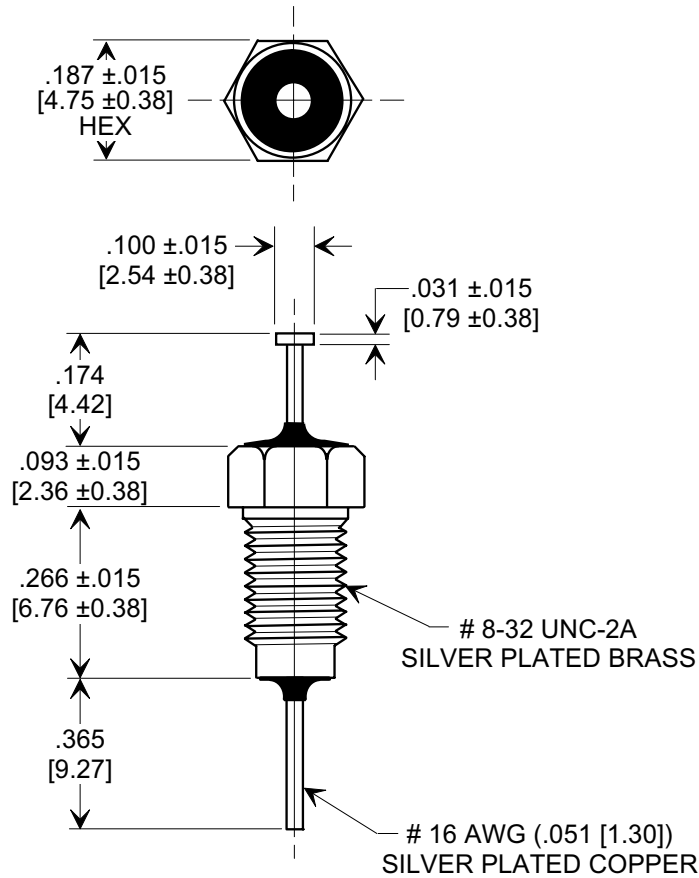
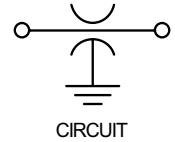
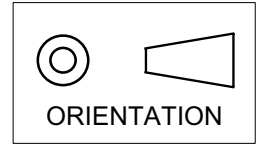
For any questions, you can email us directly:

sales@integrated-circuit.com

This drawing is the property of Tusonix, Inc., and may not be used, reproduced, published or disclosed to others without expressed authorization by Tusonix Inc.

Electrical Testing
 per Tusonix standard
 test plans and Mil-Std-202
 Test Methods.

MARKETING SALES DRAWING
DIMENSIONS IN INCHES - DO NOT SCALE THIS DRAWING
DIMENSIONS IN METRIC - []



SPECIFICATIONS

| | |
|-----------------------|-----------------------------------|
| TUSONIX STYLE: | 2425-001 |
| CAP. VALUE: | 5000 pF |
| CAP. TOLERANCE: | GMV * |
| TEMP. CHARACTERISTIC: | X5W |
| RATING: | 200 VDC @ + 85°C/100 VDC @ +125°C |
| OPERATING RANGE: | -55°C TO +125°C |
| IR MIN. @ 100 VDC: | 10 G Ω |
| DWV VDC: | 600 |

NOTES:

- SUPPLIED WITH SILVER PLATED HEX NUT.
- TUSONIX STANDARD PART NUMBER:
2425-001-X5W0-502AA. TUSONIX RoHS COMPLIANT PART NUMBER:
2425-001-X5W0-502AA LF. CUSTOMER MUST SPECIFY STANDARD OR RoHS PART NUMBER WHEN ORDERING.
- PART MARKING: STANDARD PART: BLACK INK FOR TRADEMARK AND CAP. CODE. RoHS PART: GREEN INK FOR TRADEMARK AND CAP. CODE.

* GMV - GUARANTEED MINIMUM VALUE

| | | |
|---|--------------------|---|
| REVISION RECORD | Original Release | 0 |
| | C.O. 20011113-7-01 | |
| REVISED RATING, OPERATING RANGE, ADDED IR & DWV, ADDED & REVISED NOTES. S.M. 03-09-06 | | |
| | 20060217-2-10 | 1 |

| | |
|--|---|
| --TOLERANCES-- Unless Otherwise Specified | Title MINIATURE BUSHING FEED-THRU CAPACITOR |
| DECIMAL ± .031 [0.79] | Drawn S.M. 11-13-01 |
| ANGLES ± | Approved B.Mc. 11-13-01 |
| TUSONIX TUCSON, ARIZONA | A 2425-001-X5W0-502AA |