



**Distributor of CTS Electronic Components: Excellent Integrated System Limited**

Datasheet of 4101-003LF - FILTER EMI 1750 PF PI TYPE

Contact us: [sales@integrated-circuit.com](mailto:sales@integrated-circuit.com) Website: [www.integrated-circuit.com](http://www.integrated-circuit.com)

---

## **Excellent Integrated System Limited**

Stocking Distributor

Click to view price, real time Inventory, Delivery & Lifecycle Information:

[CTS Electronic Components](#)

[4101-003LF](#)

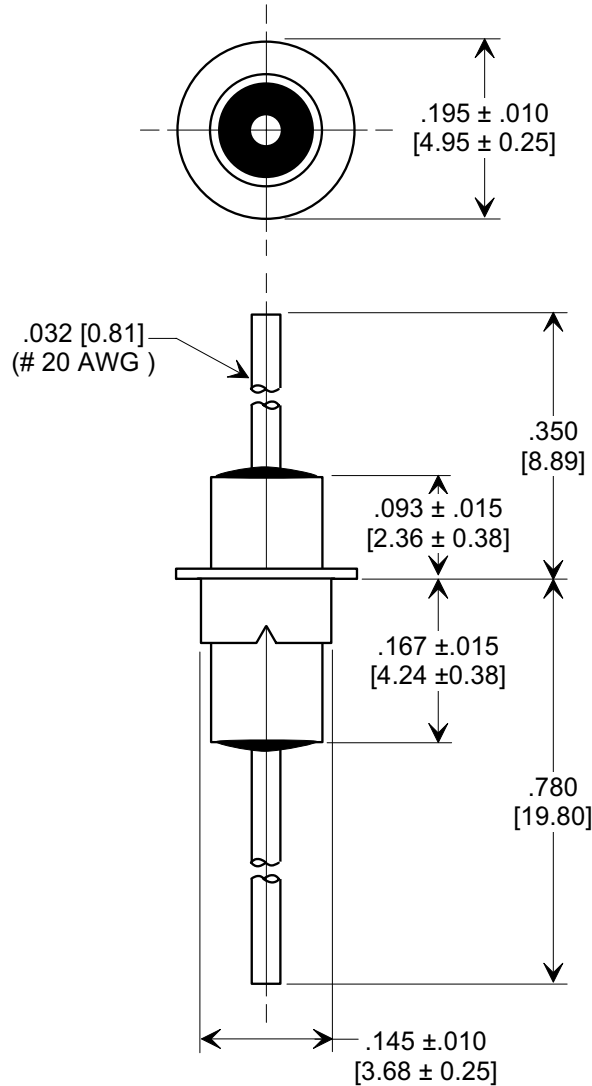
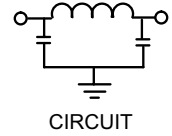
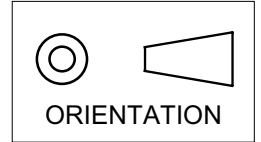
For any questions, you can email us directly:

[sales@integrated-circuit.com](mailto:sales@integrated-circuit.com)

**MARKETING SALES DRAWING**

**DIMENSIONS IN INCHES - DO NOT SCALE THIS DRAWING**  
**DIMENSIONS IN METRIC - [ ]**

Electrical Testing  
 per Tusonix standard  
 test plans and Mil-Std-202  
 Test Methods.



**NOTES:**

- TUSONIX STANDARD PART NUMBER: 4101-003.  
 TUSONIX RoHS COMPLIANT PART NUMBER: 4101-003 LF.  
 CUSTOMER MUST SPECIFY STANDARD OR RoHS PART NUMBER WHEN ORDERING.
- LEAD FINISH: STANDARD PART #: 60/40 SOLDER PLATED. RoHS PART #: SILVER PLATED.
- EYELET FINISH: STANDARD PART #: 60/40 SOLDER PLATED. RoHS PART #: SILVER PLATED.
- PART MARKING: STANDARD PART: NO MARKING. RoHS PART: GREEN DOT IDENTIFIER.

MIN. CAP. (pF)	WORKING VOLTAGE (WVdc)		CURRENT Idc. (A)	I.R. MIN. @ 100 (VDC.)	DWV (VDC)	MINIMUM NO LOAD INSERTION LOSS (dB) AT 25°C PER MIL-STD-220			
	85°C	125°C				10 MHz	100 MHz	1 GHz	10 GHz
1750	250	125	10	10 G	500	5	50	60	60

X-2015 Rev-0

<b>REVISION RECORD</b>	Original Release C.O. <b>2898</b>	<b>20000914-3-04</b> ADDED NOTES, DWV & IR. S.M. 06-13-05	<b>20050610-3-02</b>	--TOLERANCES-- Unless Otherwise Specified		Title <b>EYELET STYLE EMI FILTER</b>	
	RDN TO CMP FMT. S.M. 07-19-00			DECIMAL ± .031 [0.79]	Drawn S.M. 07-19-00	Scale 5 X	
	1			ANGLES ±	Approved T.C. 07-19-00		
	0			<b>TUSONIX</b> TUCSON, ARIZONA	<b>A</b>	<b>4101-003</b>	