



Distributor of CTS Electronic Components: Excellent Integrated System Limited

Datasheet of 4151-001LF - FILTER EMI 22000 PF PI TYPE

Contact us: sales@integrated-circuit.com Website: www.integrated-circuit.com

Excellent Integrated System Limited

Stocking Distributor

Click to view price, real time Inventory, Delivery & Lifecycle Information:

[CTS Electronic Components](#)

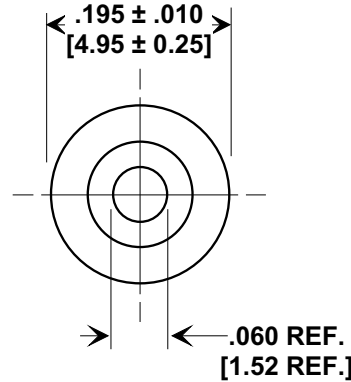
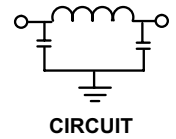
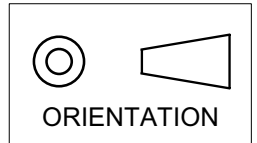
[4151-001LF](#)

For any questions, you can email us directly:

sales@integrated-circuit.com

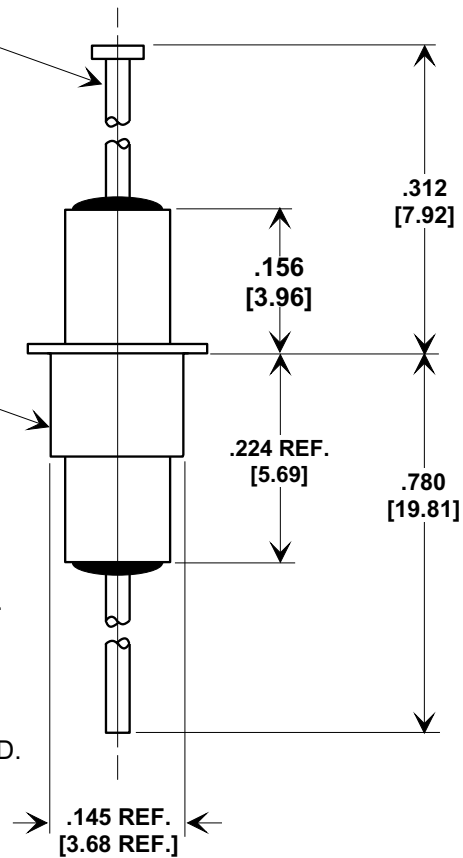
Electrical Testing
 per Tusonix standard
 test plans and Mil-Std-202
 Test Methods.

MARKETING SALES DRAWING
 DIMENSIONS IN INCHES - DO NOT SCALE THIS DRAWING
 DIMENSIONS IN METRIC - []



#20 AWG. (.032)
 LEAD [0.81]
 COPPER
 SEE NOTE 2

SEE NOTE 3



NOTES:

- TUSONIX STANDARD PART NUMBER: 4151-001.
 TUSONIX RoHS COMPLIANT PART NUMBER: 4151-001 LF.
 CUSTOMER MUST SPECIFY STANDARD OR RoHS PART NUMBER WHEN ORDERING.
- LEAD FINISH: STANDARD PART #: 60/40 SOLDER PLATED.
 RoHS PART #: SILVER PLATED.
- EYELET FINISH: STANDARD PART #: 60/40 SOLDER PLATED.
 RoHS PART #: SILVER PLATED.
- PART MARKING: STANDARD PART: NO MARKING.
 RoHS PART: GREEN DOT ON BODY.

MIN. CAP.	85°C Working Voltage	125°C Working Voltage	Current IDC	DWV @ 2 SEC. MIN.	I.R. @ 100 (VDC.)	Minimum No Load Insertion Loss (dB) at 25°C per Mil-Std-220			
						10 MHz	100 MHz	1 GHz	10 GHz
22,000 pF	100 VDC	70 VDC	10 A	250 VDC	10 G MIN	35	70	70	70

X-2015 Rev-0

REVISION RECORD	Original Release C.O. 6611	DWG. WAS EXISTING SHOULD HAVE BEEN REVISED PER C.O. 20040128-1-01 NOT NEW RELEASE L.E. 02-02-04 20040202-4-01 ADDED NOTES. S.M. 05-10-05 20050428-1-02	--TOLERANCES-- Unless Otherwise Specified DECIMAL ± .031 [0.79] ANGLES ±	Title MULTILAYER EYELET STYLE EMI FILTER		
	DIM'S REVISED E.C. 5-26-92			Drawn L.E. 01-28-04		Scale 5 X
	C.O. 6667			Approved B.Mc. 01-28-04		
				A	4151-001	