



**Distributor of CTS Electronic Components: Excellent Integrated System Limited**

Datasheet of 4203-051LF - FILTER EMI 5000 PF PI TYPE

Contact us: [sales@integrated-circuit.com](mailto:sales@integrated-circuit.com) Website: [www.integrated-circuit.com](http://www.integrated-circuit.com)

---

## **Excellent Integrated System Limited**

Stocking Distributor

Click to view price, real time Inventory, Delivery & Lifecycle Information:

[CTS Electronic Components](#)

[4203-051LF](#)

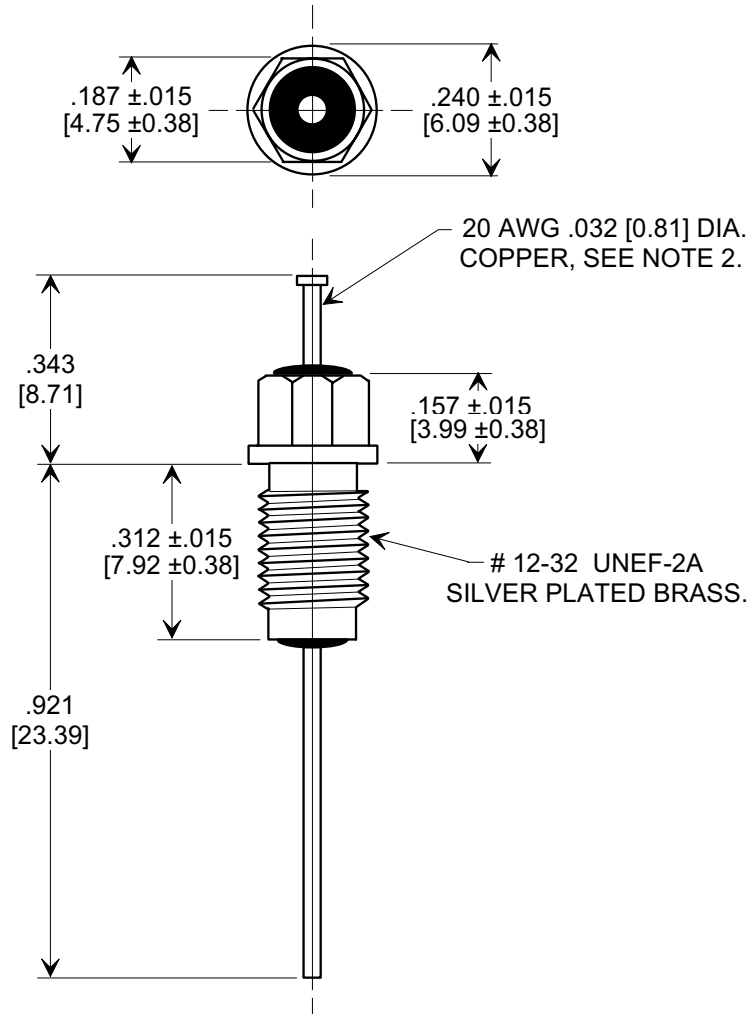
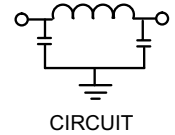
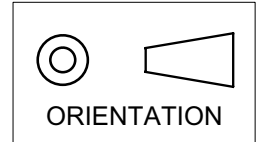
For any questions, you can email us directly:

[sales@integrated-circuit.com](mailto:sales@integrated-circuit.com)

**MARKETING SALES DRAWING**

**DIMENSIONS IN INCHES - DO NOT SCALE THIS DRAWING**  
**DIMENSIONS IN METRIC - [ ]**

Electrical Testing  
 per Tusonix standard  
 test plans and Mil-Std-202  
 Test Methods.



**NOTES:**

- TUSONIX STANDARD PART NUMBER: 4203-051.  
 TUSONIX RoHS COMPLIANT PART NUMBER: 4203-051 LF.  
 CUSTOMER MUST SPECIFY STANDARD OR RoHS PART NUMBER WHEN ORDERING.
- LEAD FINISH: STANDARD PART #: 60/40 SOLDER PLATED COPPER. RoHS PART #: SILVER PLATED COPPER.
- PART MARKING: TRADEMARK AND VARIATION NUMBER ON HEX FLATS.  
 STANDARD PART: BLACK INK. RoHS PART: GREEN INK.
- SUPPLIED WITH SILVER PLATED COPPER ALLOY HEX NUT AND INTERNAL TOOTH LOCK WASHER.

MIN. CAP. (pF)	WORKING VOLTAGE (Vdc)		CURRENT IDC	I.R. MIN. @ 100 (VDC.)	DWV (VDC)	MINIMUM NO LOAD INSERTION LOSS (dB) AT 25°C PER MIL-STD -220			
	85°C	125°C				10 MHz	100 MHz	1 GHz	10 GHz
5000	200	100	10 A	10 G Ω	400	20	65	70	70

X-2015 Rev-0

<b>REVISION RECORD</b>	Original Release C.O. <b>1653</b>	<b>20051027-3-03</b>	TOLERANCES unless otherwise specified	Title <b>BUSHING STYLE EMI FILTER</b>
	CURRENT UNIT "A" ADDED. L.E. 08-20-85 <b>1</b>		2 PLC. DECIMAL ±	
	RDN TO COMP FMT & ADDED METRIC. S.M. 02-12-02 <b>2</b>		3 PLC. DECIMAL ± .031 [0.79]	
	ADDED IR & DWV. ADDED AND REVISED NOTES. DIM .240 WAS .235. S.M. 11-15-05 <b>3</b>		ANGLES ±	
			Drawn S.M. 05-22-02	Scale X 3
			Approved J.Mc. 05-22-02	
			<b>TUSONIX</b> TUCSON, ARIZONA	<b>A</b>
				<b>4203-051</b>