



**Distributor of CTS Electronic Components: Excellent Integrated System Limited**

Datasheet of 4204-001LF - FILTER EMI 1500 PF PI TYPE

Contact us: [sales@integrated-circuit.com](mailto:sales@integrated-circuit.com) Website: [www.integrated-circuit.com](http://www.integrated-circuit.com)

---

## **Excellent Integrated System Limited**

Stocking Distributor

Click to view price, real time Inventory, Delivery & Lifecycle Information:

[CTS Electronic Components](#)

[4204-001LF](#)

For any questions, you can email us directly:

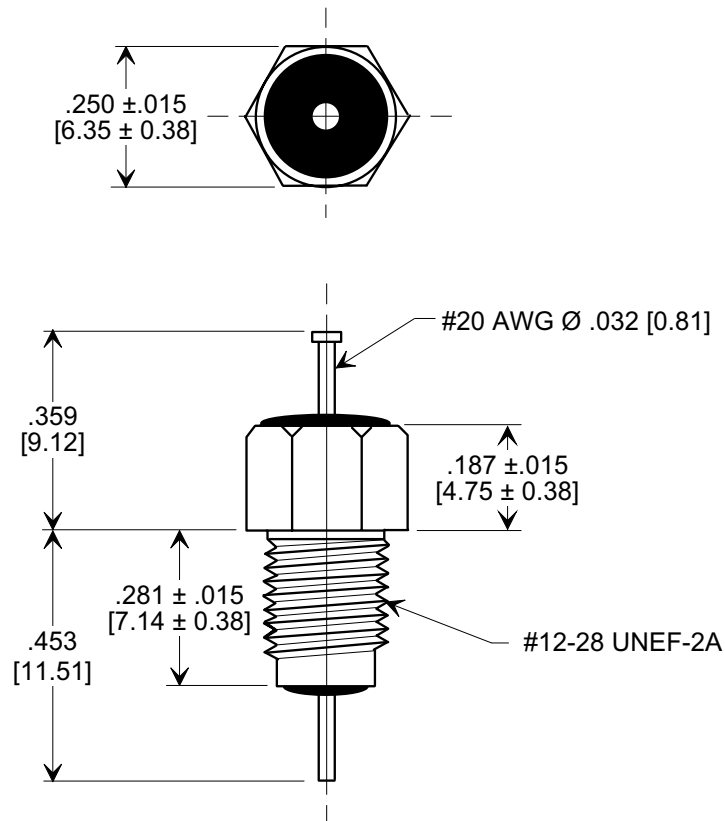
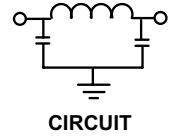
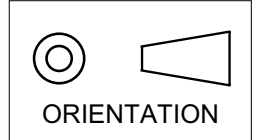
[sales@integrated-circuit.com](mailto:sales@integrated-circuit.com)

**MARKETING SALES DRAWING**

**DIMENSIONS IN INCHES - DO NOT SCALE THIS DRAWING**  
**DIMENSIONS IN METRIC - [ ]**

This drawing is the property of Tusonix, Inc., and may not be used, reproduced, published or disclosed to others without expressed authorization by Tusonix Inc.

**Electrical Testing**  
 per Tusonix standard  
 test plans and Mil-Std-202  
 Test Methods.



**NOTES:**

- TUSONIX STANDARD PART NUMBER: 4204-001.  
 TUSONIX RoHS COMPLIANT PART NUMBER: 4204-001 LF.  
 CUSTOMER MUST SPECIFY STANDARD OR RoHS PART NUMBER WHEN ORDERING.
- LEAD FINISH: STANDARD PART #: 60/40 SOLDER PLATED COPPER. RoHS PART #: SILVER PLATED COPPER.
- PART MARKING: TRADEMARK AND VARIATION NUMBER ON HEX FLATS.  
 STANDARD PART: BLACK INK. RoHS PART: GREEN INK.
- SUPPLIED WITH SILVER PLATED COPPER ALLOY HEX NUT AND INTERNAL TOOTH LOCK WASHER.

MIN. CAP. (pF)	WORKING VOLTAGE (VDC)		CURRENT (Idc)	I.R. MIN. @ 100 (VDC)	DWV (VDC)	MINIMUM NO LOAD INSERTION LOSS (dB) AT 25°C PER MIL-STD -220			
	85°C	125°C				10 MHz	100 MHz	1 GHz	10 GHz
1500	350	200	10 A	10 G Ω	700	5	45	70	70

X-2015 Rev-0 <b>REVISION RECORD</b> Original Release C.O. <b>2898</b> RDN TO COMP FMT & ADDED METRIC. 02-12-02 <b>20020522-6-06</b> ADDED NOTES, IR & DWV. S.M. 02-02-06 <b>20060109-2-03</b>	<b>0</b>	<b>1</b>	<b>2</b>	<b>--TOLERANCES--</b> Unless Otherwise Specified	Title	
	<b>DECIMAL ± .031 [0.79]</b>			<b>BUSHING STYLE EMI FILTER</b>		
	<b>ANGLES ±</b>	Drawn S.M. 05-22-02	Scale <b>3 X</b>			
	<b>TUSONIX</b> TUCSON, ARIZONA	Approved J.Mc. 05-22-02	<b>A</b>	<b>4204-001</b>		