



Distributor of CTS Electronic Components: Excellent Integrated System Limited

Datasheet of 4300-024LF - FILTER EMI 5000 PF C TYPE

Contact us: sales@integrated-circuit.com Website: www.integrated-circuit.com

Excellent Integrated System Limited

Stocking Distributor

Click to view price, real time Inventory, Delivery & Lifecycle Information:

[CTS Electronic Components](#)

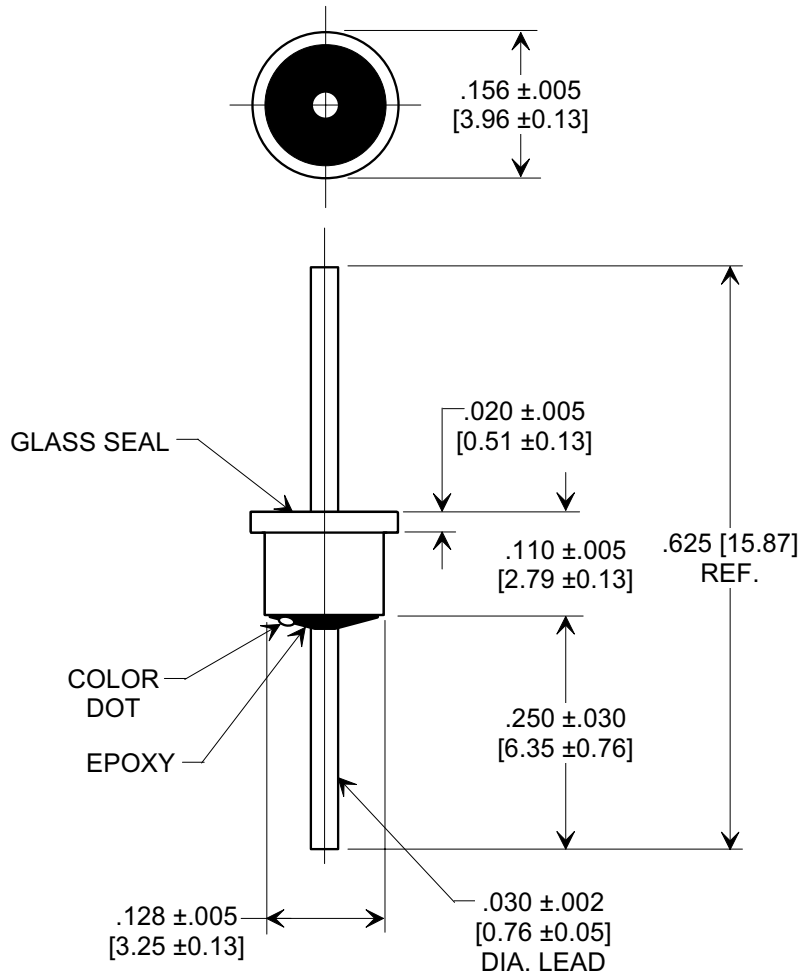
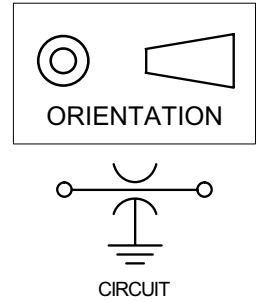
[4300-024LF](#)

For any questions, you can email us directly:

sales@integrated-circuit.com

MARKETING SALES DRAWING
 DIMENSIONS IN INCHES - DO NOT SCALE THIS DRAWING
 DIMENSIONS IN METRIC - []

Electrical Testing
 per Tusonix standard
 test plans and Mil-Std-202
 Test Methods.



NOTES:

1. Operating temperature range: -55°C to +125°C.
2. Gold plated case and lead.
3. Epoxy sealed on opposite end from glass seal.
4. Max. recommended soldering temperature: 260°C.
See installation recommendations.
5. Recommended mounting hole: .135 [3.43] dia.
6. Solder preform available for mounting.
7. Tusonix Standard part number: 4300-024.
Tusonix RoHS compliant part number: 4300-024 LF.
Customer must specify Standard or RoHS part number when ordering.
8. RoHS compliant part marked with additional dark green dot for identification.

Cx (pF)	TOL.	DC WORKING VOLTAGE		DC CURRENT (AMPS)	DWV (VDC)	I.R. MIN. @ 100 (VDC.)	MIN. NO LOAD INSERTION LOSS (dB) @ 25° C PER MIL-STD-220					COLOR CODE
		85°C	125°C				1 MHz	10 MHz	100 MHz	1GHz	10 GHz	
5,000	GMV	150	100	5	250	10 G	---	15	30	40	50	YELLOW

X-2015 Rev-0 REVISION RECORD Original Release C.O. 20020213-4-01 YELLOW WAS BLUE-BLUE 15,30,40,50 WERE 35,45,70& -- L.E. 06-04-02 20020604-1-02 ADDED NOTES 7 & 8. S.M. 05-23-05 20050511-2-25	0	1	2	--TOLERANCES-- Unless Otherwise Specified DECIMAL ± NOTED ANGLES ±	Title			
					SOLDER MOUNT EMI FILTER			
					Drawn	S.M. 02-14-02	Scale	5 X
					Approved	T.C. 02-14-02		
				TUSONIX TUCSON, ARIZONA	A	4300-024		