



Distributor of CTS Electronic Components: Excellent Integrated System Limited

Datasheet of 4304-011LF - FILTER EMI 50000 PF C TYPE

Contact us: sales@integrated-circuit.com Website: www.integrated-circuit.com

Excellent Integrated System Limited

Stocking Distributor

Click to view price, real time Inventory, Delivery & Lifecycle Information:

[CTS Electronic Components](#)

[4304-011LF](#)

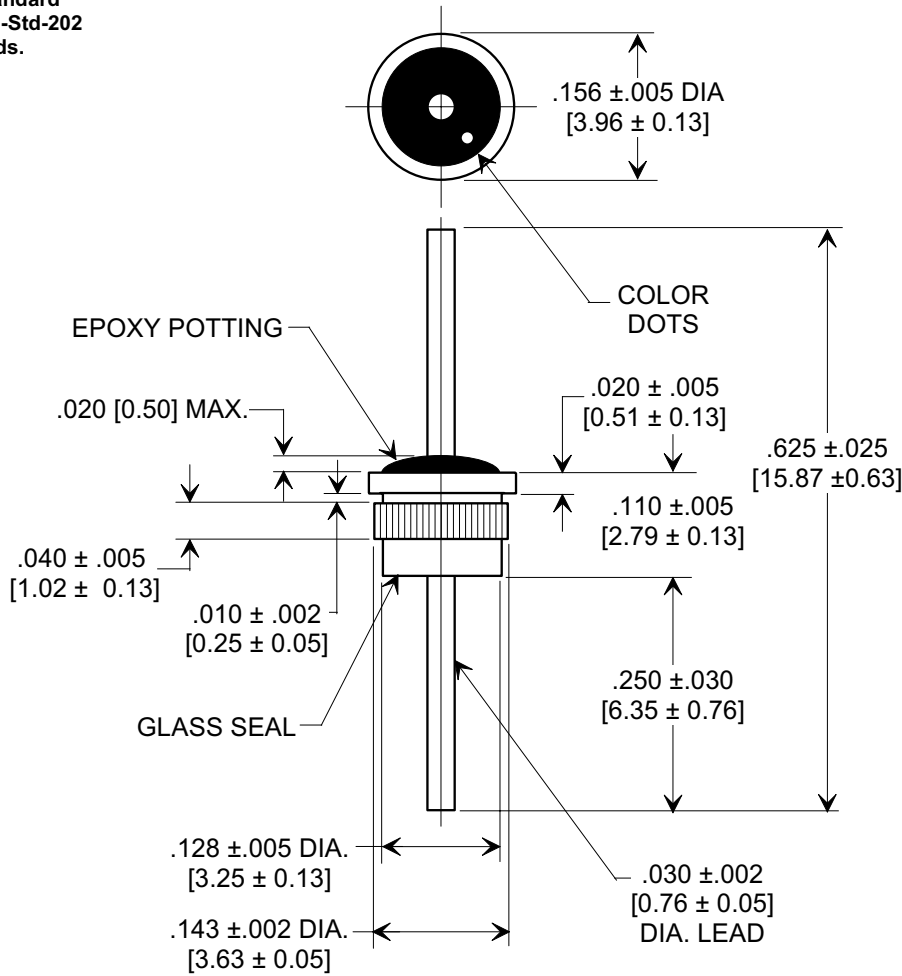
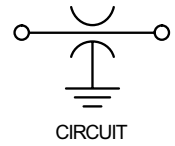
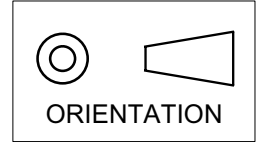
For any questions, you can email us directly:

sales@integrated-circuit.com

MARKETING SALES DRAWING

DIMENSIONS IN INCHES - DO NOT SCALE THIS DRAWING
 DIMENSIONS IN METRIC - []

Electrical Testing
 per Tusonix standard
 test plans and Mil-Std-202
 Test Methods.



NOTES:

1. Gold plating, type III (99.9% min.), 100 microinch thickness over 200 microinch nickel underplate.
2. Epoxy sealed on opposite end from glass.
3. Max. recommended terminal soldering temperature: 260°C.
4. Recommended mounting hole: .136/.137 [3.45/3.48]. Hole must be free of insulating material. Proper installation requires firm, steady pressure until flange is fully seated.
5. Operating temperature range: -55°C to +125°C.
6. Tusonix Standard part number: 4304-011.
 Tusonix RoHS compliant part number: 4304-011 LF.
 Customer must specify Standard or RoHS part number when ordering.
7. RoHS compliant part marked with additional dark green dot for identification.

Cx (pF)	DC Working Voltage		DC Current (Amps)	Dielectric Withstanding Voltage (VDC)	Insulation Resistance Min @ 100 (VDC)	MIN. NO LOAD INSERTION LOSS (dB) @ 25° C PER MIL-STD-220					COLOR CODE
	85°C	125°C				1 MHz	10 MHz	100 MHz	1GHz	10 GHz	
50,000 GMV	50	50	5	100	10 G	15	35	45	70	----	BLUE BLUE

X-2015 Rev-0	REVISION RECORD	--TOLERANCES-- Unless Otherwise Specified		Title	
	Original Release C.O.	DECIMAL ±		PRESS-IN EMI FILTER	
	WAS SK 7718-005 L.E. 09-05-01	ANGLES ±			
	20010829-2-15 0	TUSONIX TUCSON, ARIZONA		Approved B.M. 08-03-01	
	DIM. REV'D .040 ± .005 WAS +.005 / -.000 L.E. 10-04-01			A 4304-011	
20010921-7-14 1					
COLOR CODE & NOTE 5 ADDED L.E. 01-08-03					
20030107-4-12 2					
POTTING ABOVE SHELL REMOVED L.E. 03-07-03					
20030304-4-13 3					
POTTING ABOVE SHELL & DIM .020 ADDED. S.M. 04-29-03					
20030415-2-04 4					
ADDED NOTES 6 & 7. S.M. 05-31-05					
20050513-4-45 5					