



Distributor of CTS Electronic Components: Excellent Integrated System Limited

Datasheet of 4400-094LF - FILTER EMI 4700 PF C TYPE

Contact us: sales@integrated-circuit.com Website: www.integrated-circuit.com

Excellent Integrated System Limited

Stocking Distributor

Click to view price, real time Inventory, Delivery & Lifecycle Information:

[CTS Electronic Components](#)

[4400-094LF](#)

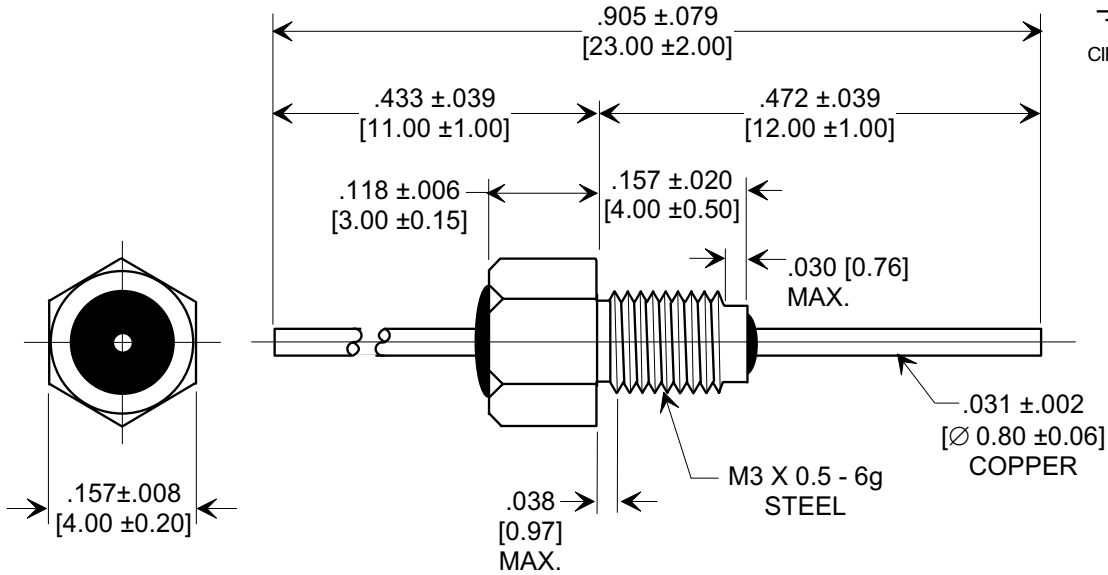
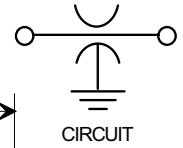
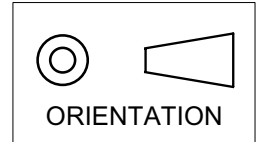
For any questions, you can email us directly:

sales@integrated-circuit.com

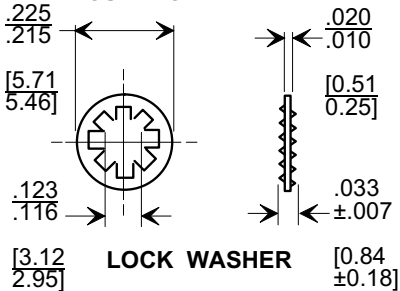
MARKETING SALES DRAWING

DIMENSIONS IN INCHES - DO NOT SCALE THIS DRAWING
DIMENSIONS IN METRIC []

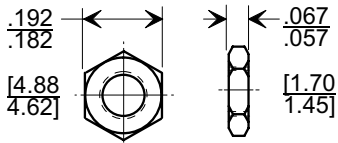
Electrical Testing
 per Tusonix standard
 test plans and Mil-Std-202
 Test Methods.



MOUNTING HARDWARE



LOCK WASHER



HEX NUT

NOTES:

1. TUSONIX STANDARD PART NUMBER: 4400-094.
 TUSONIX RoHS COMPLIANT PART NUMBER: 4400-094 LF.
 CUSTOMER MUST SPECIFY STANDARD OR RoHS PART NUMBER WHEN ORDERING.
2. MATERIAL: BUSHING; SILVER PLATED. LEAD; SILVER PLATED.
3. PART MARKING: TRADEMARK AND VARIATION NUMBER ON HEX FLATS. STANDARD PART: BLACK INK. RoHS PART: GREEN INK.
4. OPERATING TEMP. RANGE: -55°C TO +125°C.
5. MAX. RECOMMENDED SOLDERING TEMPERATURE : 260° C.
6. SUPPLIED WITH SILVER PLATED INTERNAL TOOTH LOCK WASHER.
7. MAX. RECOMMENDED MOUNTING TORQUE : 2.0 [2.26 Nm.]

CAP.(pf)	TOLERANCE	DC WORKING VOLTAGE		DC CURRENT (AMPS)	I.R. MIN. @ 100 (VDC)	DWV (VDC)	MIN. NO LOAD INSERTION LOSS (db) @ 25°C PER MIL-STD-220				
		85°C	125 °C				1 MHz	10 MHz	100 MHz	1 GHz	10 GHz
4,700	GMV	150	100	10	10 G Ω	250	----	15	30	45	55

REVISION RECORD Original Release C.O. 19991013-1-02 ADDED HEX NUT (2) PLCS. S.M. 01-07-00 20000104-1-02 ORIENTATION SYMBOL ADDED DWV(VDC) 500 DELETED L.E. 04-14-00 20000410-2-03 ADDED I.R. & DWV. ADDED & REVISED NOTES.S.M.12-01-05 20051128-1-14	--TOLERANCES-- Unless Otherwise Specified		BUSHING STYLE EMI FILTER	
	DECIMAL ± NOTED			
	ANGLES ±		Drawn S.M. 10-14-99	Scale 5 X
	TUSONIX TUCSON, ARIZONA		Approved E.F. 10-14-99	A

X-2015 Rev-0