



Distributor of CTS Electronic Components: Excellent Integrated System Limited

Datasheet of 4400-095LF - FILTER EMI 1000 PF C TYPE

Contact us: sales@integrated-circuit.com Website: www.integrated-circuit.com

Excellent Integrated System Limited

Stocking Distributor

Click to view price, real time Inventory, Delivery & Lifecycle Information:

[CTS Electronic Components](#)

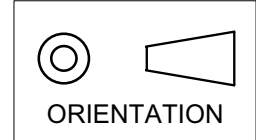
[4400-095LF](#)

For any questions, you can email us directly:

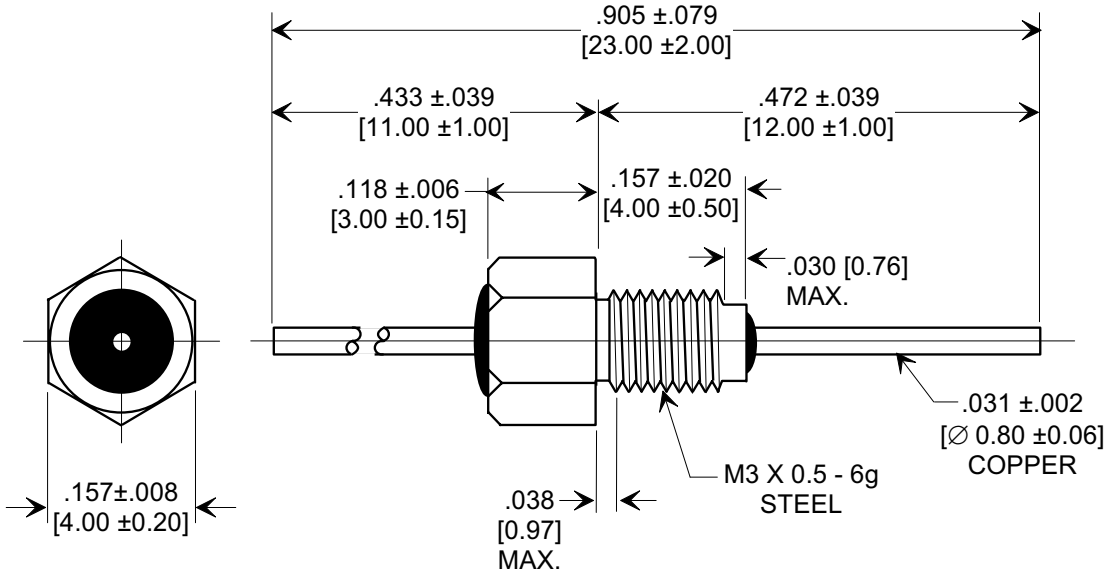
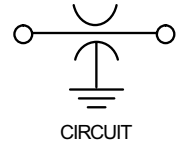
sales@integrated-circuit.com

MARKETING SALES DRAWING

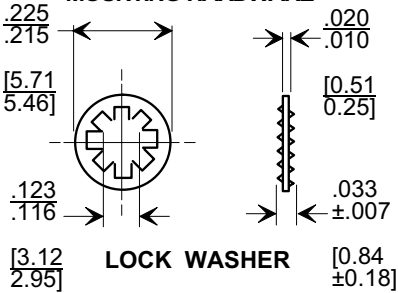
DIMENSIONS IN INCHES - DO NOT SCALE THIS DRAWING
DIMENSIONS IN METRIC []



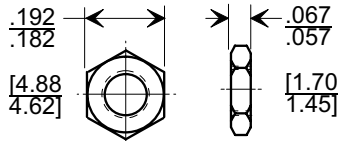
Electrical Testing
 per Tusonix standard
 test plans and Mil-Std-202
 Test Methods.



MOUNTING HARDWARE



LOCK WASHER



HEX NUT

NOTES:

1. TUSONIX STANDARD PART NUMBER: 4400-095.
 TUSONIX RoHS COMPLIANT PART NUMBER: 4400-095 LF.
 CUSTOMER MUST SPECIFY STANDARD OR RoHS PART NUMBER WHEN ORDERING.
2. MATERIAL: BUSHING; SILVER PLATED. LEAD; SILVER PLATED.
3. PART MARKING: TRADEMARK AND VARIATION NUMBER ON HEX FLATS. STANDARD PART: BLACK INK. RoHS PART: GREEN INK.
4. OPERATING TEMP. RANGE: -55°C TO +125°C.
5. MAX. RECOMMENDED SOLDERING TEMPERATURE : 260° C.
6. SUPPLIED WITH SILVER PLATED INTERNAL TOOTH LOCK WASHER.
7. MAX. RECOMMENDED MOUNTING TORQUE : 2.0 Lb. in. [.226 Nm.]

CAP.(pf)	TOLERANCE	DC WORKING VOLTAGE		DC CURRENT (AMPS)	I.R. MIN. @ 100 (VDC)	DWV (VDC)	MIN. NO LOAD INSERTION LOSS (db) @ 25°C PER MIL-STD-220				
		85°C	125 °C				1 MHz	10 MHz	100 MHz	1 GHz	10 GHz
1,000	GMV	300	200	10	10 G Ω	500	----	5	20	35	45

X-2015 Rev-0 REVISION RECORD Original Release C.O. 19991013-1-03 ADDED HEX NUT (2) PLCS. S.M. 01-07-00 2000104-1-03 ORIENTATION SYMBOL ADDED DWV(VDC) 500 DELETED L.E. 04-14-00 20000410-2-04 ADDED IR & DWV. REVISED & ADDED NOTES. S.M. 12-01-05 20051128-1-15	--TOLERANCES-- Unless Otherwise Specified		Title BUSHING STYLE EMI FILTER	
	DECIMAL ± NOTED		Drawn S.M. 10-14-99 Scale 5X	
	ANGLES ±		Approved E.F. 10-14-99	
	TUSONIX TUCSON, ARIZONA		A	4400-095