



Distributor of CTS Electronic Components: Excellent Integrated System Limited

Datasheet of 4400-097LF - FILTER EMI 2700 PF C TYPE

Contact us: sales@integrated-circuit.com Website: www.integrated-circuit.com

Excellent Integrated System Limited

Stocking Distributor

Click to view price, real time Inventory, Delivery & Lifecycle Information:

[CTS Electronic Components](#)

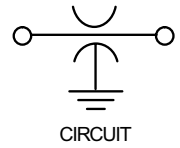
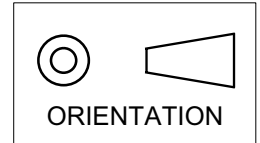
[4400-097LF](#)

For any questions, you can email us directly:

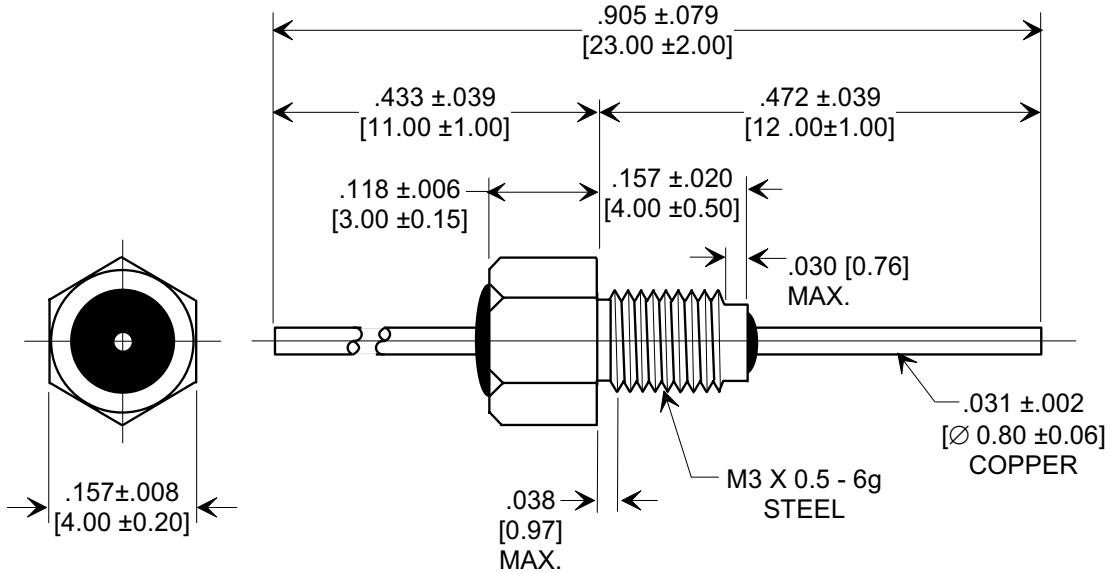
sales@integrated-circuit.com

MARKETING SALES DRAWING

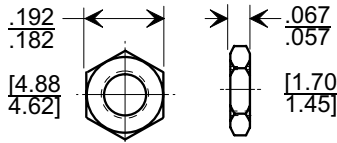
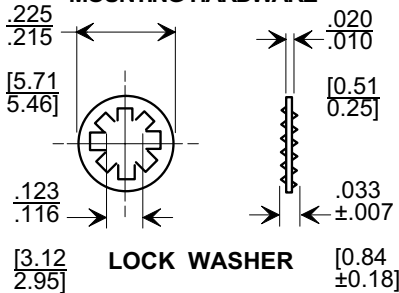
DIMENSIONS IN INCHES - DO NOT SCALE THIS DRAWING
DIMENSIONS IN METRIC []



Electrical Testing
 per Tusonix standard
 test plans and Mil-Std-202
 Test Methods.



MOUNTING HARDWARE



NOTES:

- TUSONIX STANDARD PART NUMBER: 4400-097.
 TUSONIX RoHS COMPLIANT PART NUMBER: 4400-097 LF.
 CUSTOMER MUST SPECIFY STANDARD OR RoHS PART NUMBER WHEN ORDERING.
- MATERIAL: BUSHING; SILVER PLATED. LEAD; SILVER PLATED.
- PART MARKING: TRADEMARK AND VARIATION NUMBER ON HEX FLATS. STANDARD PART: BLACK INK. RoHS PART: GREEN INK.
- OPERATING TEMP. RANGE: -55°C TO +125°C.
- MAX. RECOMMENDED SOLDERING TEMPERATURE : 260° C.
- SUPPLIED WITH SILVER PLATED INTERNAL TOOTH LOCK WASHER.
- MAX. RECOMMENDED MOUNTING TORQUE : 2.0 Lb. in. [226 Nm.]

CAP.(pf)	TOLERANCE	DC WORKING VOLTAGE		DC CURRENT (AMPS)	I.R. MIN. @ 100 (VDC)	DWV (VDC)	MIN. NO LOAD INSERTION LOSS (db) @ 25°C PER MIL-STD-220				
		85°C	125 °C				1 MHz	10 MHz	100 MHz	1 GHz	10 GHz
2700	GMV	150	100	10	10 G Ω	250	----	10	25	40	50

X-2015 Rev-0	REVISION RECORD		--TOLERANCES-- Unless Otherwise Specified		BUSHING STYLE EMI FILTER	
	Original Release C.O. 2000104-1-07	ORIENTATION SYMBOL ADDED DWV(VDC) 500 DELETED L.E. 04-14-00	DECIMAL ±			
	20000410-2-06	ADDED IR & DWV. REVISED & ADDED NOTES. S.M. 12-01-05	ANGLES ±		Drawn S.M. 01-07-00	Scale 5 X
	20051128-1-17		TUSONIX TUCSON, ARIZONA		Approved J.Mc. 01-07-00	A 4400-097