



Distributor of CTS Electronic Components: Excellent Integrated System Limited

Datasheet of 4400-683LF - FILTER EMI 5.0 PF C TYPE

Contact us: sales@integrated-circuit.com Website: www.integrated-circuit.com

Excellent Integrated System Limited

Stocking Distributor

Click to view price, real time Inventory, Delivery & Lifecycle Information:

[CTS Electronic Components](#)

[4400-683LF](#)

For any questions, you can email us directly:

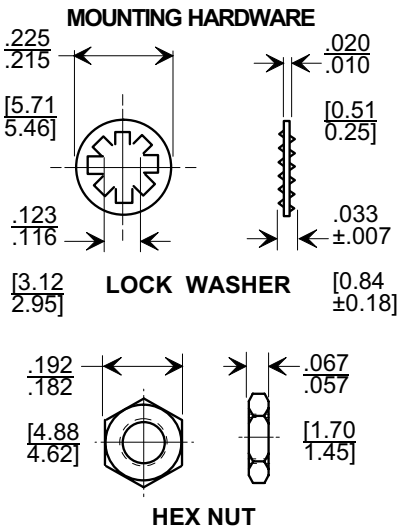
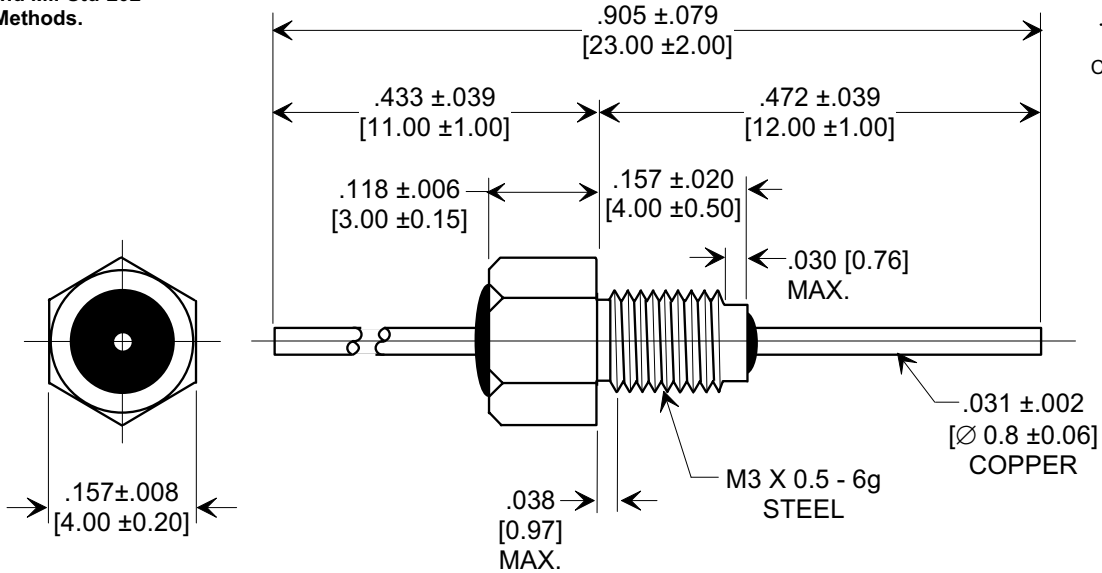
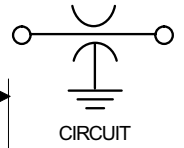
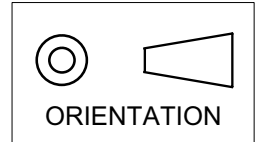
sales@integrated-circuit.com

MARKETING SALES DRAWING

DIMENSIONS IN INCHES - DO NOT SCALE THIS DRAWING
DIMENSIONS IN METRIC []

This drawing is the property of Tusonix, Inc., and may not be used, reproduced, published or disclosed to others without expressed authorization by Tusonix Inc.

Electrical Testing
 per Tusonix standard
 test plans and Mil-Std-202
 Test Methods.



NOTES:

1. OPERATING TEMP. RANGE: -55°C TO +125°C.
2. SILVER PLATED CASE, LEAD, LOCK WASHER, AND HEX NUT.
3. MAX. RECOMMENDED MOUNTING TORQUE : 2.0 lb. - in. [0.23 Nm].
4. MAX. RECOMMENDED SOLDERING TEMPERATURE : 260° C. SEE INSTALLATION RECOMMENDATIONS.
5. NUT AND LOCK WASHER INCLUDED.
6. TUSONIX STANDARD PART NUMBER: 4400-683.
 TUSONIX RoHS COMPLIANT PART NUMBER: 4400-683 LF.
 CUSTOMER MUST SPECIFY STANDARD OR RoHS PART NUMBER WHEN ORDERING.
7. PART MARKING: TRADEMARK AND VARIATION NUMBER ON HEX FLATS. STANDARD PART: BLACK INK. RoHS PART: DARK GREEN INK FOR IDENTIFICATION.

CAP.(pf)	TOLERANCE	DC WORKING VOLTAGE		DC CURRENT (AMPS)	DWV (VDC)	MIN. NO LOAD INSERTION LOSS (db) @ 25°C PER MIL-STD-220				
		85°C	125 °C			1 MHz	10 MHz	100 MHz	1 GHz	10 GHz
5	MAX	300	200	10	500	----	----	----	----	----

X-2015 Rev-0 REVISION RECORD Original Release C.O. 2000104-1-04 ADDED AND REVISED NOTES. S.M. 02-14-06 20060123-9-04	0	TUSONIX TUCSON, ARIZONA	--TOLERANCES-- Unless Otherwise Specified	Title LINE FEED-THRU		
	1		DECIMAL ± NOTED	Drawn S.M. 01-07-00	Scale 5 X	
	ANGLES ±		Approved J.Mc. 01-07-00	A 4400-683		