



**Distributor of CTS Electronic Components: Excellent Integrated System Limited**

Datasheet of M15733/51-0001 - FILTER EMI 5500 PF PI TYPE MIL

Contact us: [sales@integrated-circuit.com](mailto:sales@integrated-circuit.com) Website: [www.integrated-circuit.com](http://www.integrated-circuit.com)

---

## **Excellent Integrated System Limited**

Stocking Distributor

Click to view price, real time Inventory, Delivery & Lifecycle Information:

[CTS Electronic Components](#)

[M15733/51-0001](#)

For any questions, you can email us directly:

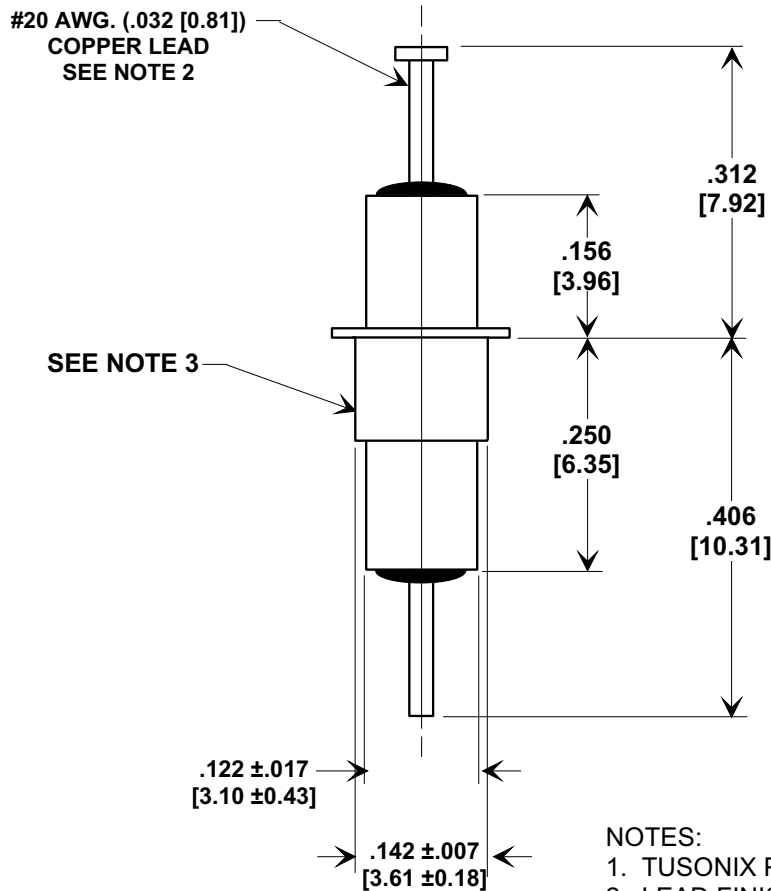
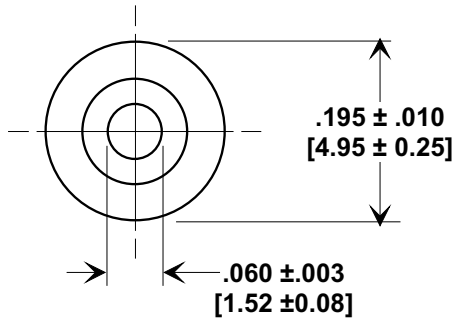
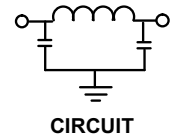
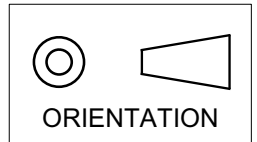
[sales@integrated-circuit.com](mailto:sales@integrated-circuit.com)

**MARKETING SALES DRAWING**

**DIMENSIONS IN INCHES - DO NOT SCALE THIS DRAWING**  
**DIMENSIONS IN METRIC - [ ]**

This drawing is the property of Tusonix, Inc., and may not be used, reproduced, published or disclosed to others without expressed authorization by Tusonix Inc.

Electrical Testing  
 per Tusonix standard  
 test plans and Mil-Std-202  
 Test Methods.



- NOTES:  
 1. TUSONIX PART NUMBER: 4101-504.  
 2. LEAD FINISH: 60/40 SOLDER PLATED.  
 3. EYELET FINISH: 60/40 SOLDER PLATED.

MIN. CAP. pF	85°C Working Voltage	Current IDC	Minimum No Load Insertion Loss (dB) at 25°C per Mil-Std-220			
			10 MHz	100 MHz	1 GHz	10 GHz
5500	200 VDC 200 VAC	10 A	15	55	70	70

X-2015 Rev-0 REVISION RECORD Original Release C.O. 20080716-3-01	0	--TOLERANCES-- Unless Otherwise Specified	Title	
	<b>EMI FILTER</b> <b>M15733/51-0001</b>			
	DECIMAL ± .031[0.79]		Drawn S.M. 07-17-08	Scale 5 X
	ANGLES ±		Approved R.L. 07-17-08	
<b>TUSONIX</b> TUCSON, ARIZONA		<b>A</b>	<b>4101-504</b>	