



Distributor of CTS Electronic Components: Excellent Integrated System Limited

Datasheet of M15733/51-0002 - FILTER EMI 22000 PF PI TYPE MIL

Contact us: sales@integrated-circuit.com Website: www.integrated-circuit.com

Excellent Integrated System Limited

Stocking Distributor

Click to view price, real time Inventory, Delivery & Lifecycle Information:

[CTS Electronic Components](#)

[M15733/51-0002](#)

For any questions, you can email us directly:

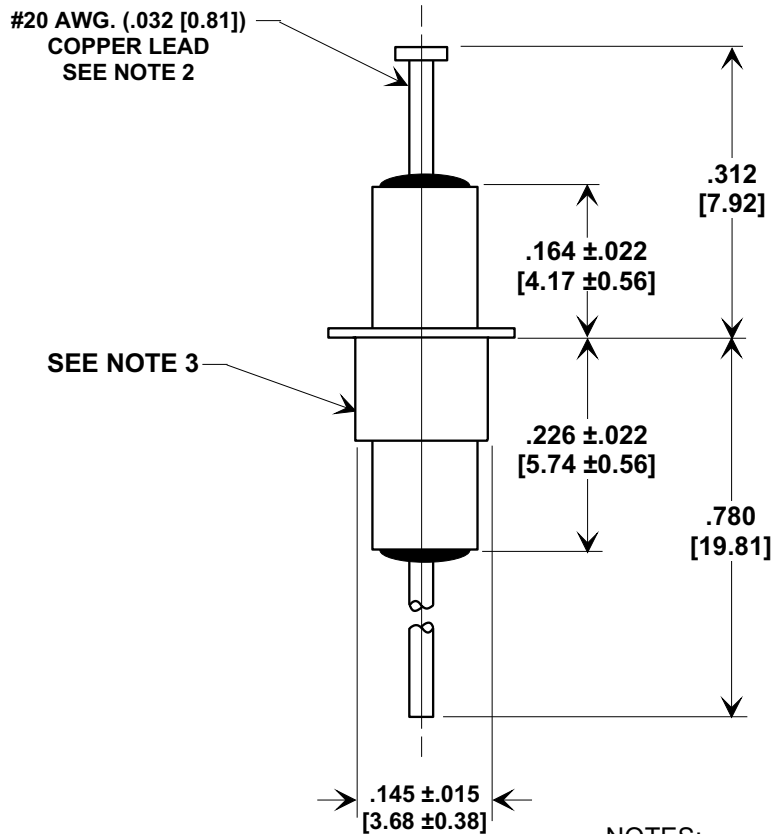
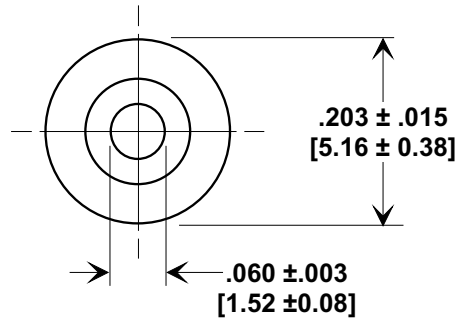
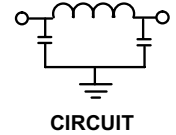
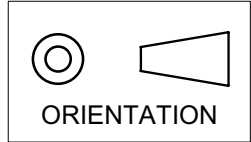
sales@integrated-circuit.com

MARKETING SALES DRAWING

DIMENSIONS IN INCHES - DO NOT SCALE THIS DRAWING
DIMENSIONS IN METRIC - []

This drawing is the property of Tusonix, Inc., and may not be used, reproduced, published or disclosed to others without expressed authorization by Tusonix Inc.

Electrical Testing
 per Tusonix standard
 test plans and Mil-Std-202
 Test Methods.



NOTES:

1. TUSONIX PART NUMBER: 4151-501.
2. LEAD FINISH: 60/40 SOLDER PLATED.
3. EYELET FINISH: 60/40 SOLDER PLATED.

MIN. CAP. pF	125°C Working Voltage	Current IDC	Minimum No Load Insertion Loss (dB) at 25°C per Mil-Std-220			
			10 MHz	100 MHz	1 GHz	10 GHz
22,000	70 VDC	10 A	25	70	70	70

X-2015 Rev-0	REVISION RECORD	0	--TOLERANCES-- Unless Otherwise Specified	Title EMI FILTER M15733/51-0002		
	Original Release C.O.			DECIMAL ± .031[0.79]	Drawn S.M. 08-16-07 Scale 5 X	
			ANGLES ±	Approved R.L. 08-16-07		
			TUSONIX TUCSON, ARIZONA	A	4151-501	