

## Excellent Integrated System Limited

Stocking Distributor

Click to view price, real time Inventory, Delivery & Lifecycle Information:

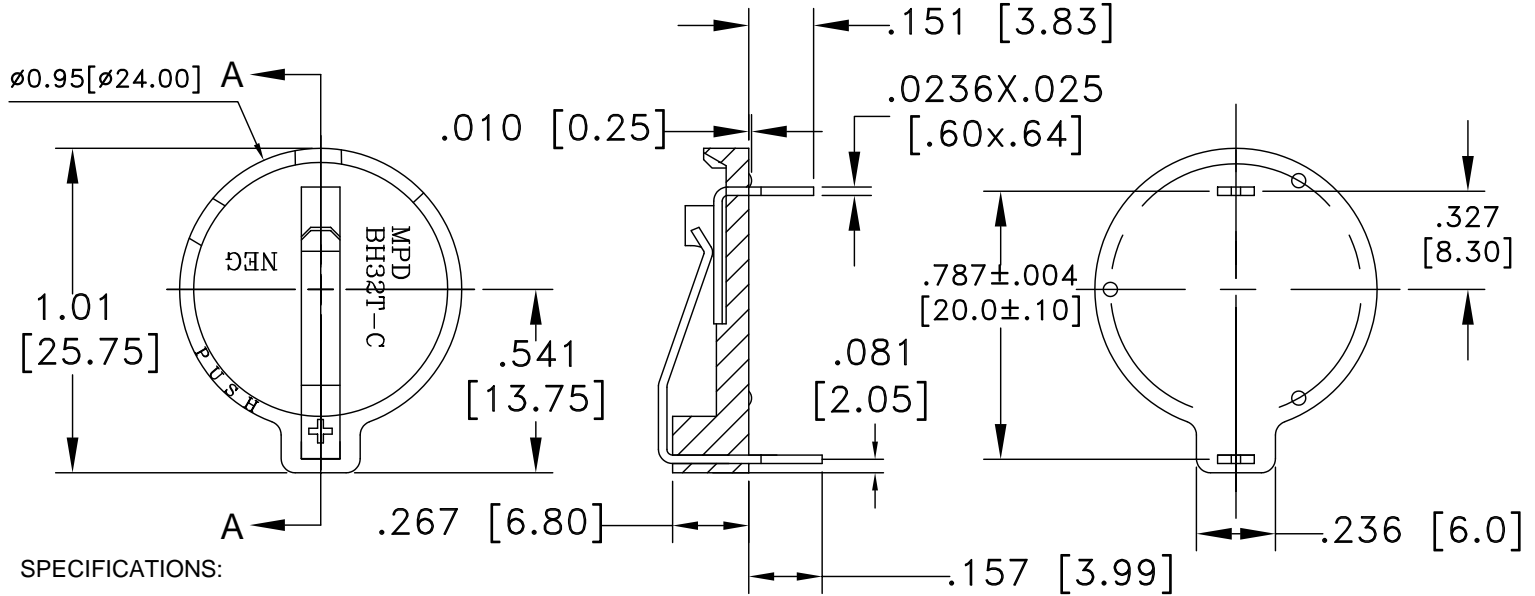
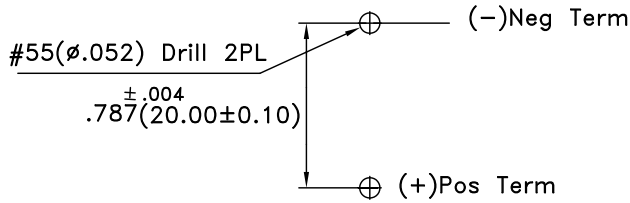
[Memory Protection Devices](#)  
[BH32T-C-G](#)

For any questions, you can email us directly:

[sales@integrated-circuit.com](mailto:sales@integrated-circuit.com)

PCB LAYOUT

Date	SYM	REVISION RECORD	AUTH	DR.	CK.



SPECIFICATIONS:

- Holder Material: Black PBT
- Flammability rating: UL94V-0, UL File No. E53829
- Contacts:
  - Positive: 0.0236" Thick PHOS-BRONZE, Gold Flash Over Nickel Plate
  - Negative: Spring Tempered Stainless Steel, Gold Flash Over Nickel Plate
- Temperature Range: -40°C to +140°C
- ROHS COMPLIANT

Tolerance (Except as noted)	Memory protection Devices, Inc 200 Broad Hollow Road, Farmingdale, New York 11735		
decimal ±.5 (.020)	Scale	Drawn By	B.S.
Fractional ± .8 (.030)	Title CR2032 OR BR2032 BATTERY		
Angular ± 3°	Date 3/06/09	Drawing Number BH32T-C-G	
Approved By	T.B.		