

Excellent Integrated System Limited

Stocking Distributor

Click to view price, real time Inventory, Delivery & Lifecycle Information:

[Infineon Technologies](#)

[BTS452T](#)

For any questions, you can email us directly:

sales@integrated-circuit.com



**Smart High-Side Power Switch
BTS452T**



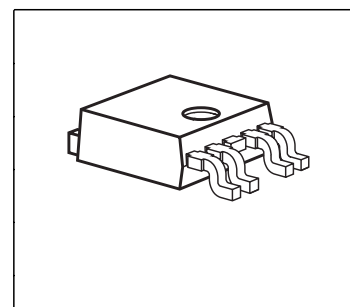
Smart Power High-Side-Switch

Features

- Overload protection
- Current limitation
- Short circuit protection
- Thermal shutdown with restart
- Overvoltage protection (including load dump)
- Fast demagnetization of inductive loads
- Reverse battery protection with external resistor
- CMOS compatible input
- Loss of GND and loss of V_{bb} protection
- ESD - Protection
- Very low standby current
 - AEC qualified
 - Green product (RoHS compliant)

Product Summary

| | | | |
|------------------------|--------------|--------|------------|
| Overvoltage protection | $V_{bb(AZ)}$ | 62 | V |
| Operating voltage | $V_{bb(on)}$ | 6...52 | V |
| On-state resistance | R_{ON} | 200 | m Ω |
| Nominal load current | $I_{L(ISO)}$ | 1.8 | A |



PG-TO-252

Application

- All types of resistive, inductive and capacitive loads
- μ C compatible power switch for 12 V, 24 V and 42 V DC applications
- Replaces electromechanical relays and discrete circuits

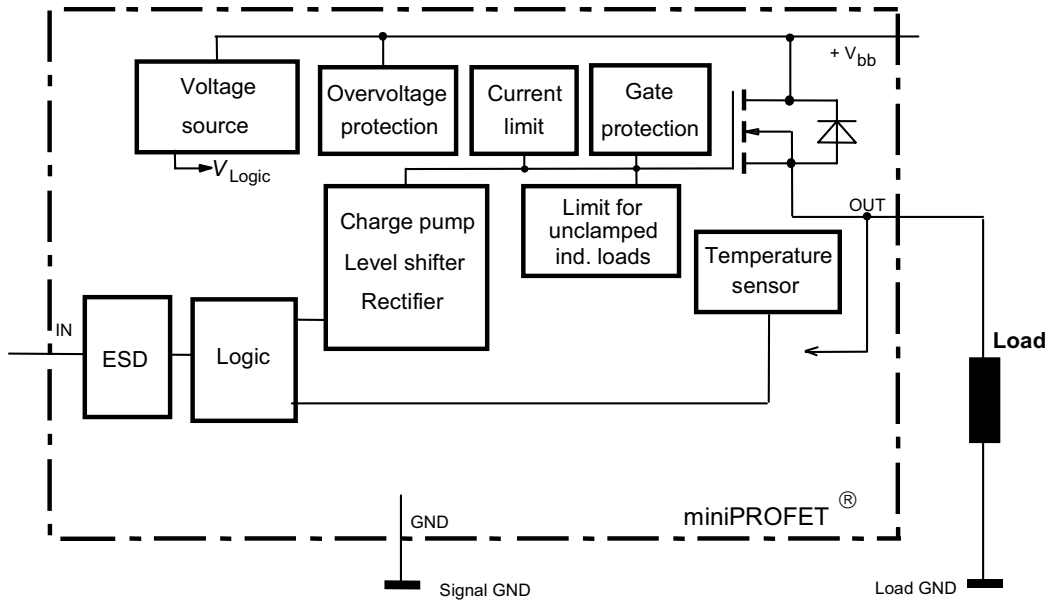
General Description

N channel vertical power FET with charge pump, ground referenced CMOS compatible input, monolithically integrated in Smart SIPMOS[®] technology. Providing embedded protective functions.



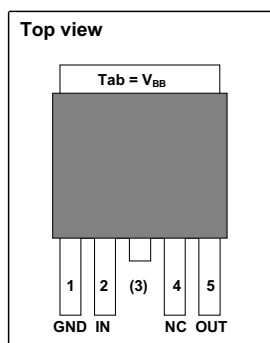
**Smart High-Side Power Switch
BTS452T**

Block Diagram



| Pin | Symbol | Function |
|-----|--------|--|
| 1 | GND | Logic ground |
| 2 | IN | Input, activates the power switch in case of logic high signal |
| 3 | Vbb | Positive power supply voltage |
| 4 | NC | not connected |
| 5 | OUT | Output to the load |
| TAB | Vbb | Positive power supply voltage |

Pin configuration





Smart High-Side Power Switch BTS452T

Maximum Ratings at $T_j = 25^\circ\text{C}$, unless otherwise specified

| Parameter | Symbol | Value | Unit |
|---|----------------|--------------------|------------------|
| Supply voltage | V_{bb} | 52 | V |
| Supply voltage for full short circuit protection | $V_{bb(SC)}$ | 50 | |
| Continuous input voltage | V_{IN} | -10 ... +16 | |
| Load current (Short - circuit current, see page 5) | I_L | self limited | A |
| Current through input pin (DC) | I_{IN} | ± 5 | mA |
| Operating temperature | T_j | -40 ... +150 | $^\circ\text{C}$ |
| Storage temperature | T_{stg} | -55 ... +150 | |
| Power dissipation ¹⁾ | P_{tot} | 41.6 | W |
| Inductive load switch-off energy dissipation ¹⁾²⁾ single pulse, (see page 8) $T_j = 150^\circ\text{C}$, $I_L = 1\text{ A}$ | E_{AS} | 150 | mJ |
| Load dump protection ²⁾ $V_{LoadDump}^{3)} = V_A + V_S$ $R_f = 2\Omega$, $t_d = 400\text{ms}$, $V_{IN} = \text{low or high}$, $V_A = 13,5\text{V}$ $R_L = 13.5\ \Omega$ $R_L = 27\ \Omega$ | $V_{Loaddump}$ | 73.5 88.5 | V |
| Electrostatic discharge voltage (Human Body Model) according to ANSI EOS/ESD - S5.1 - 1993 ESD STM5.1 - 1998 Input pin all other pins | V_{ESD} | ± 1 ± 5 | kV |

Thermal Characteristics

| | | | | | |
|---|--------------|---|----|----|-----|
| junction - case: | R_{thJC} | - | - | 3 | K/W |
| Thermal resistance @ min. footprint | $R_{th(JA)}$ | - | 80 | - | K/W |
| Thermal resistance @ 6 cm ² cooling area ¹⁾ | $R_{th(JA)}$ | - | 45 | 60 | |

¹⁾ Device on 50mm*50mm*1.5mm epoxy PCB FR4 with 6 cm² (one layer, 70 μm thick) copper area for drain connection. PCB is vertical without blown air. (see page 16)

²⁾ not subject to production test, specified by design

³⁾ $V_{Loaddump}$ is setup without the DUT connected to the generator per ISO 7637-1 and DIN 40839 .

Supply voltages higher than $V_{bb(AZ)}$ require an external current limit for the GND pin, e.g. with a 150 Ω resistor in GND connection. A resistor for the protection of the input is integrated.



Smart High-Side Power Switch BTS452T

Electrical Characteristics

| Parameter and Conditions at $T_j = -40...150^\circ\text{C}$, $V_{bb} = 12..42\text{V}$, unless otherwise specified | Symbol | Values | | | Unit |
|---|--------|--------|------|------|------|
| | | min. | typ. | max. | |

Load Switching Capabilities and Characteristics

| | | | | | |
|--|----------------|-----|-----|-----|------|
| On-state resistance $T_j = 25^\circ\text{C}$, $I_L = 1\text{ A}$, $V_{bb} = 9...52\text{ V}$ $T_j = 150^\circ\text{C}$ | R_{ON} | - | 150 | 200 | mΩ |
| | | - | 270 | 380 | |
| Nominal load current; Device on PCB ¹⁾ $T_C = 85^\circ\text{C}$, $V_{ON} = 0.5\text{ V}$ | $I_{L(ISO)}$ | 1.8 | 2.2 | - | A |
| Turn-on time to 90% V_{OUT} $R_L = 47\ \Omega$ | t_{on} | - | 80 | 180 | μs |
| Turn-off time to 10% V_{OUT} $R_L = 47\ \Omega$ | t_{off} | - | 80 | 200 | |
| Slew rate on 10 to 30% V_{OUT} , $R_L = 47\ \Omega$, $V_{bb} = 13.5\text{ V}$ | dV/dt_{on} | - | 0.7 | 2 | V/μs |
| Slew rate off 70 to 40% V_{OUT} , $R_L = 47\ \Omega$, $V_{bb} = 13.5\text{ V}$ | $-dV/dt_{off}$ | - | 0.9 | 2 | |

Operating Parameters

| | | | | | |
|--|-----------------|---|-----|-----|----|
| Operating voltage | $V_{bb(on)}$ | 6 | - | 52 | V |
| Undervoltage shutdown of charge pump $T_j = -40...+85^\circ\text{C}$ $T_j = 150^\circ\text{C}$ | $V_{bb(under)}$ | - | - | 4 | |
| | | - | - | 5.5 | |
| Undervoltage restart of charge pump | $V_{bb(u\ cp)}$ | - | 4 | 5.5 | |
| Standby current $T_j = -40...+85^\circ\text{C}$, $V_{IN} = \text{low}$ $T_j = +150^\circ\text{C}^2$, $V_{IN} = \text{low}$ | $I_{bb(off)}$ | - | - | 15 | μA |
| | | - | - | 18 | |
| Leakage output current (included in $I_{bb(off)}$) $V_{IN} = \text{low}$ | $I_{L(off)}$ | - | - | 5 | |
| Operating current $V_{IN} = \text{high}$ | I_{GND} | - | 0.8 | 2 | mA |

¹Device on 50mm*50mm*1.5mm epoxy PCB FR4 with 6 cm² (one layer, 70μm thick) copper area for drain connection. PCB is vertical without blown air. (see page 16)

²higher current due temperature sensor



Smart High-Side Power Switch BTS452T

Electrical Characteristics

| Parameter and Conditions at $T_j = -40...150^\circ\text{C}$, $V_{bb} = 12..42\text{V}$, unless otherwise specified | Symbol | Values | | | Unit |
|--|-----------------|------------------|----------------------------------|------------------|------------------|
| | | min. | typ. | max. | |
| Protection Functions¹⁾ | | | | | |
| Initial peak short circuit current limit (pin 3 to 5) $T_j = -40^\circ\text{C}$, $V_{bb} = 20\text{V}$, $t_m = 150\ \mu\text{s}$ $T_j = 25^\circ\text{C}$ $T_j = 150^\circ\text{C}$ $T_j = -40...+150^\circ\text{C}$, $V_{bb} > 40\text{V}$, (see page 11) | $I_{L(SCp)}$ | - - 4 - | - 6.5 - 5 ²⁾ | 9 - - - | A |
| Repetitive short circuit current limit $T_j = T_{jt}$ (see timing diagrams) $V_{bb} < 40\text{V}$ $V_{bb} > 40\text{V}$ | $I_{L(SCr)}$ | - - | 6 4.5 | - - | |
| Output clamp (inductive load switch off) at $V_{OUT} = V_{bb} - V_{ON(CL)}$, $I_{bb} = 4\text{mA}$ | $V_{ON(CL)}$ | 59 | 63 | - | V |
| Overvoltage protection ³⁾ $I_{bb} = 4\text{mA}$ | $V_{bb(AZ)}$ | 62 | - | - | |
| Thermal overload trip temperature | T_{jt} | 150 | - | - | $^\circ\text{C}$ |
| Thermal hysteresis | ΔT_{jt} | - | 10 | - | K |
| Reverse Battery | | | | | |
| Reverse battery ⁴⁾ | $-V_{bb}$ | - | - | 52 | V |
| Drain-source diode voltage ($V_{OUT} > V_{bb}$) $T_j = 150^\circ\text{C}$ | $-V_{ON}$ | - | 600 | - | mV |

¹Integrated protection functions are designed to prevent IC destruction under fault conditions described in the data sheet. Fault conditions are considered as "outside" normal operating range. Protection functions are not designed for continuous repetitive operation.

²not subject to production test, specified by design

³ see also $V_{ON(CL)}$ in circuit diagram on page 7

⁴Requires a $150\ \Omega$ resistor in GND connection. The reverse load current through the intrinsic drain-source diode has to be limited by the connected load. Power dissipation is higher compared to normal operating conditions due to the voltage drop across the drain-source diode. The temperature protection is not active during reverse current operation! Input current has to be limited (see max. ratings page 3).



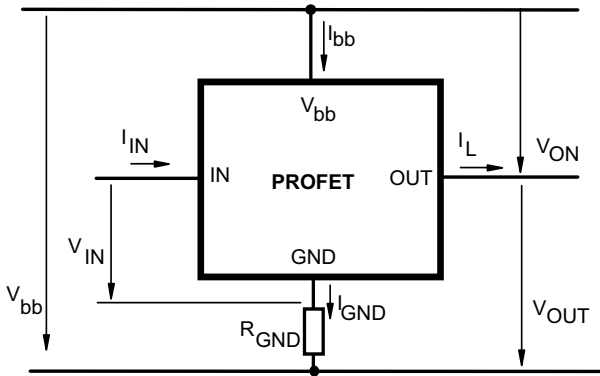
Smart High-Side Power Switch BTS452T

| Parameter and Conditions at $T_j = -40...150^\circ\text{C}$, $V_{bb} = 12..42\text{V}$, unless otherwise specified | Symbol | Values | | | Unit |
|---|--------------------|--------|------|------|------------------|
| | | min. | typ. | max. | |
| Input | | | | | |
| Input turn-on threshold voltage | $V_{IN(T+)}$ | - | - | 2.2 | V |
| Input turn-off threshold voltage | $V_{IN(T-)}$ | 0.8 | - | - | |
| Input threshold hysteresis | $\Delta V_{IN(T)}$ | - | 0.4 | - | |
| Off state input current $V_{IN} = 0.7\text{ V}$ | $I_{IN(off)}$ | 1 | - | 25 | μA |
| On state input current $V_{IN} = 5\text{ V}$ | $I_{IN(on)}$ | 3 | - | 25 | |
| Input resistance (see page 7) | R_I | 2 | 3.5 | 5 | $\text{k}\Omega$ |

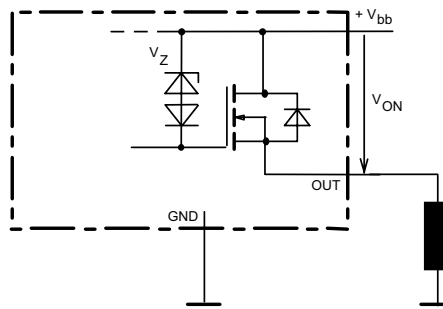


Smart High-Side Power Switch BTS452T

Terms

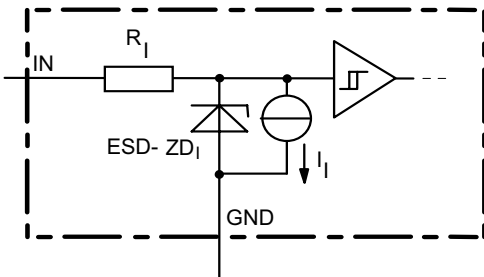


Inductive and overvoltage output clamp



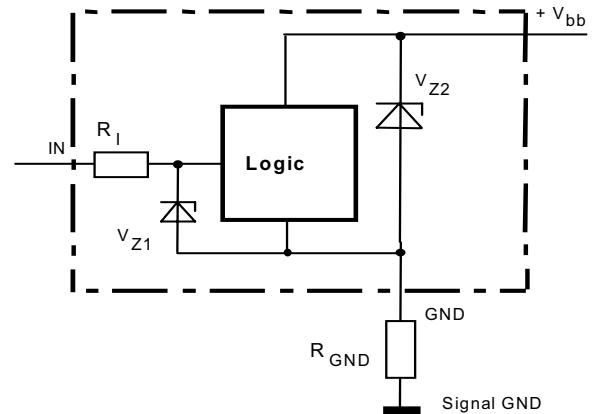
V_{ON} clamped to 59V min.

Input circuit (ESD protection)



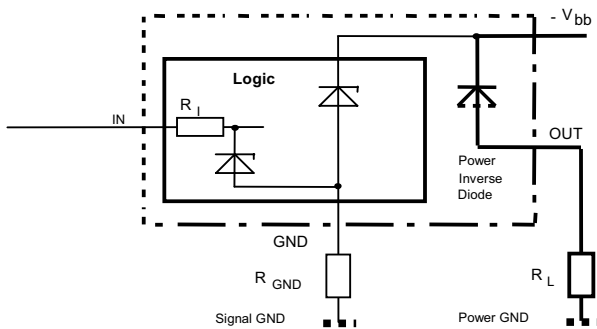
The use of ESD zener diodes as voltage clamp at DC conditions is not recommended

Overvoltage protection of logic part



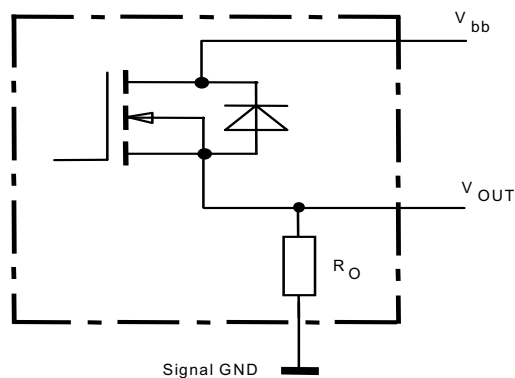
$V_{Z1} = 6.1V$ typ., $V_{Z2} = V_{bb(AZ)} = 62V$ min.,
 $R_I = 3.5 k\Omega$ typ., $R_{GND} = 150\Omega$

Reverse battery protection



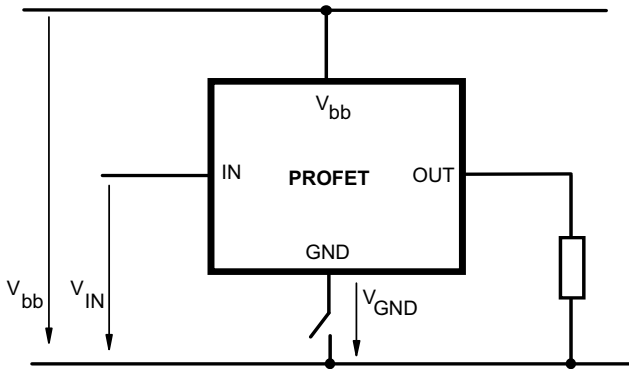
$R_{GND} = 150\Omega$, $R_I = 3.5k\Omega$ typ.,
 Temperature protection is not active during inverse current

Internal output pull down

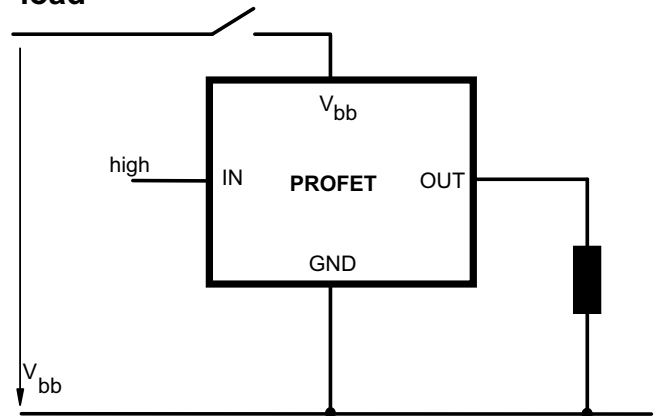


$R_O = 200 k\Omega$ typ.

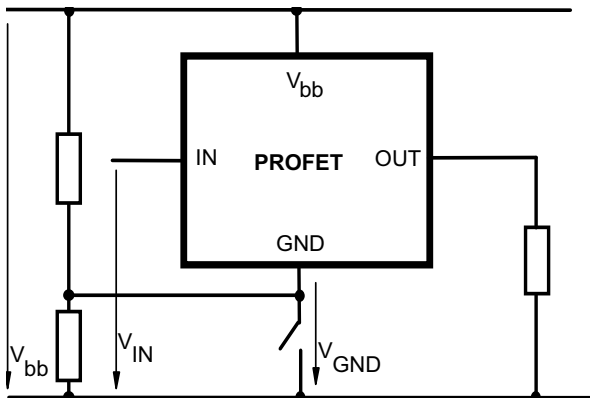
GND disconnect



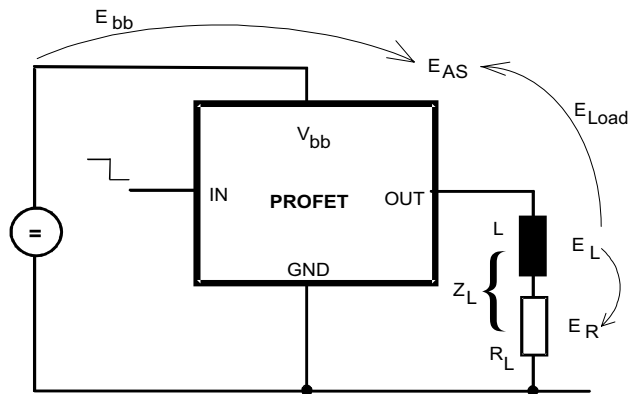
V_{bb} disconnect with charged inductive load



GND disconnect with GND pull up



Inductive Load switch-off energy dissipation



Energy stored in load inductance: $E_L = \frac{1}{2} * L * I_L^2$

While demagnetizing load inductance, the energy dissipated in PROFET is $E_{AS} = E_{bb} + E_L - E_R = V_{ON(CL)} * i_L(t) dt$, with an approximate solution for $R_L > 0\Omega$:

$$E_{AS} = \frac{I_L * L}{2 * R_L} * (V_{bb} + |V_{OUT(CL)}|) * \ln\left(1 + \frac{I_L * R_L}{|V_{OUT(CL)}|}\right)$$

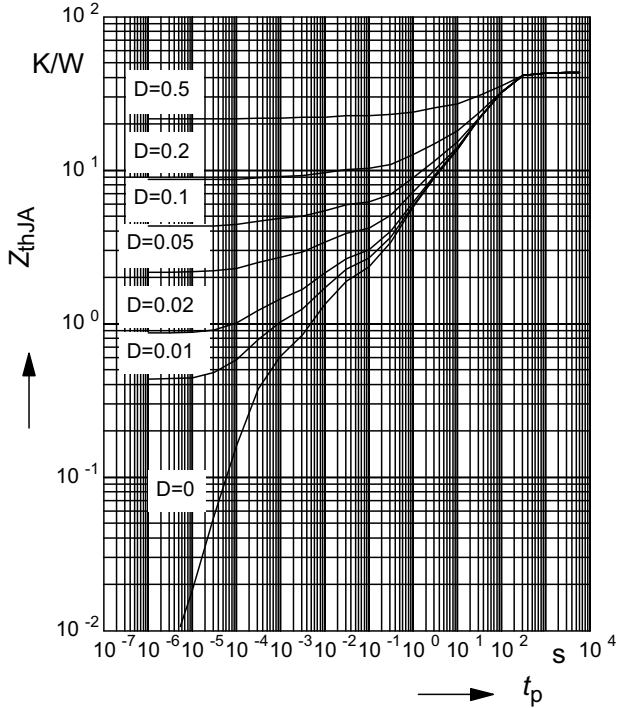


**Smart High-Side Power Switch
BTS452T**

Typ. transient thermal impedance

$Z_{thJA} = f(t_p)$ @ 6cm² heatsink area

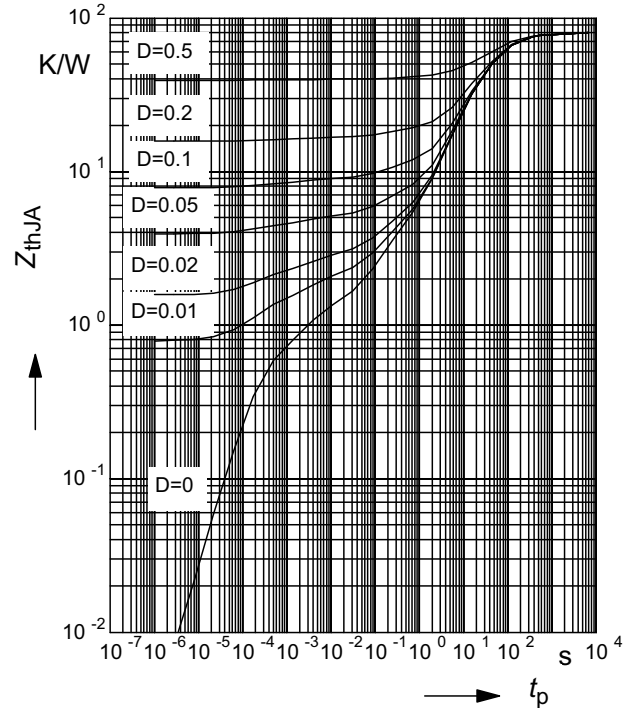
Parameter: $D = t_p / T$



Typ. transient thermal impedance

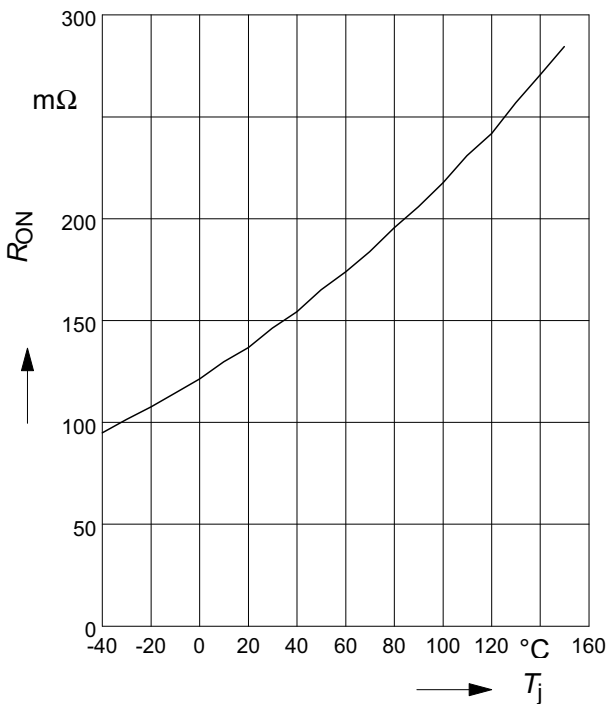
$Z_{thJA} = f(t_p)$ @ min. footprint

Parameter: $D = t_p / T$



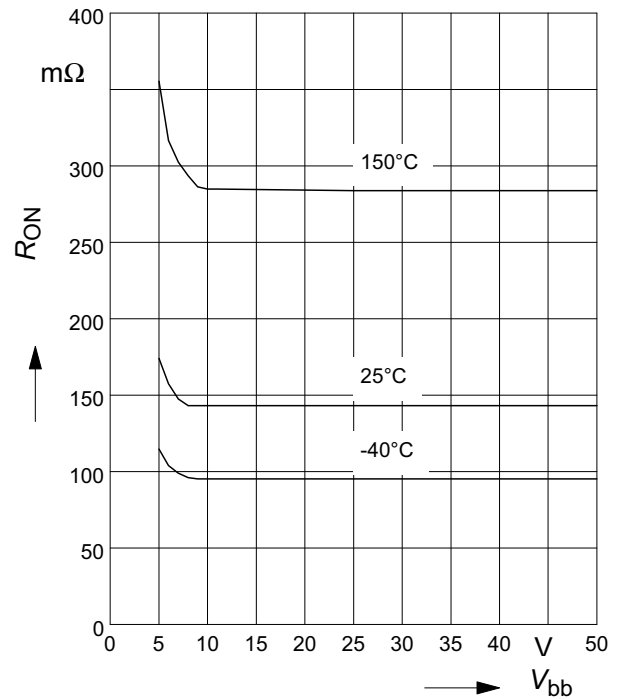
Typ. on-state resistance

$R_{ON} = f(T_j)$; $V_{bb} = 13,5V$; $V_{in} = \text{high}$



Typ. on-state resistance

$R_{ON} = f(V_{bb})$; $I_L = 1 A$; $V_{in} = \text{high}$

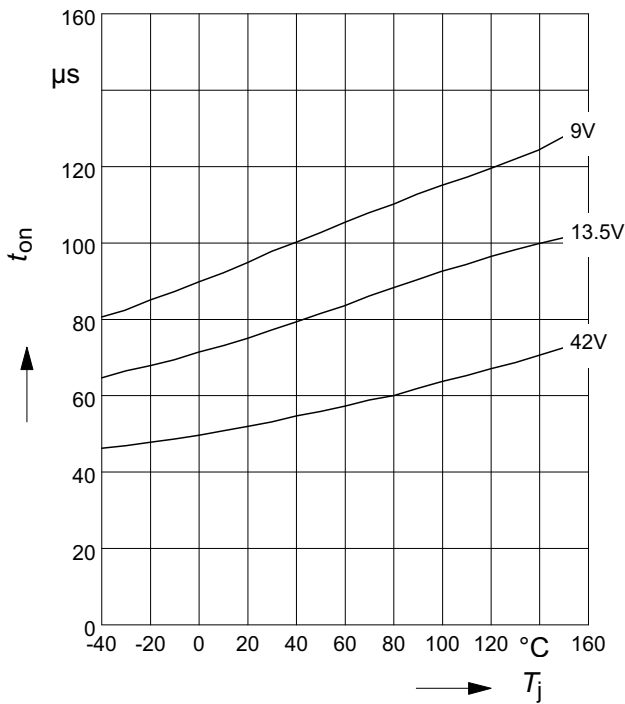




Smart High-Side Power Switch BTS452T

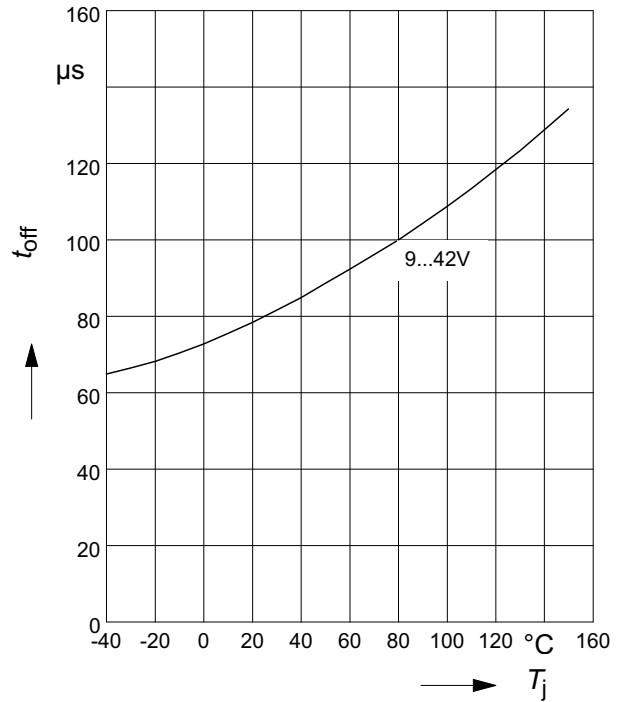
Typ. turn on time

$$t_{on} = f(T_j); R_L = 47\Omega$$



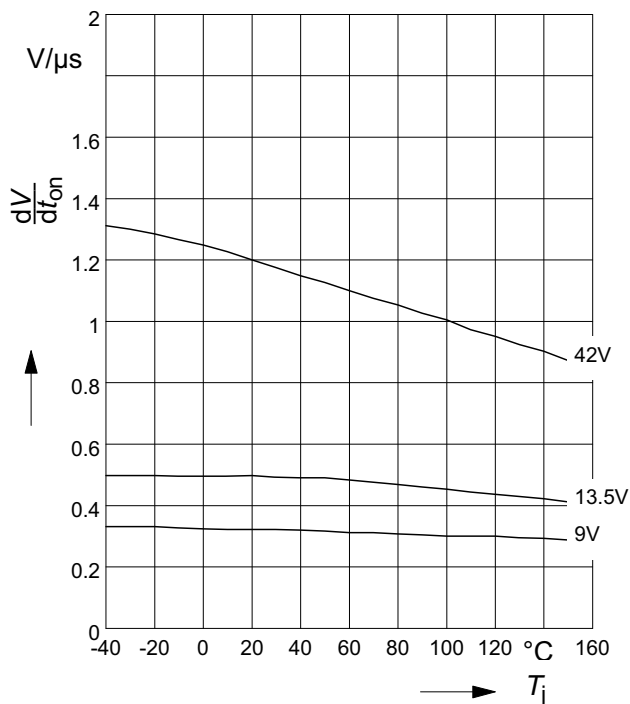
Typ. turn off time

$$t_{off} = f(T_j); R_L = 47\Omega$$



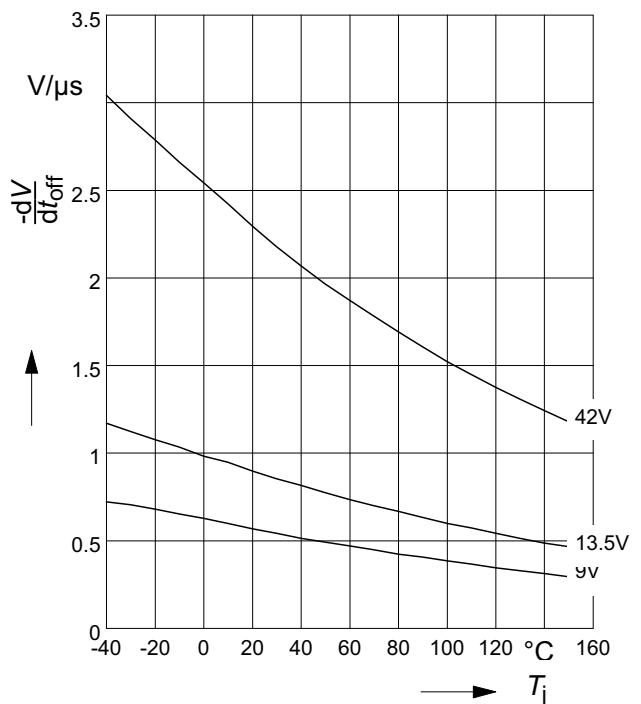
Typ. slew rate on

$$dV/dt_{on} = f(T_j); R_L = 47\Omega$$



Typ. slew rate off

$$-dV/dt_{off} = f(T_j); R_L = 47\Omega$$

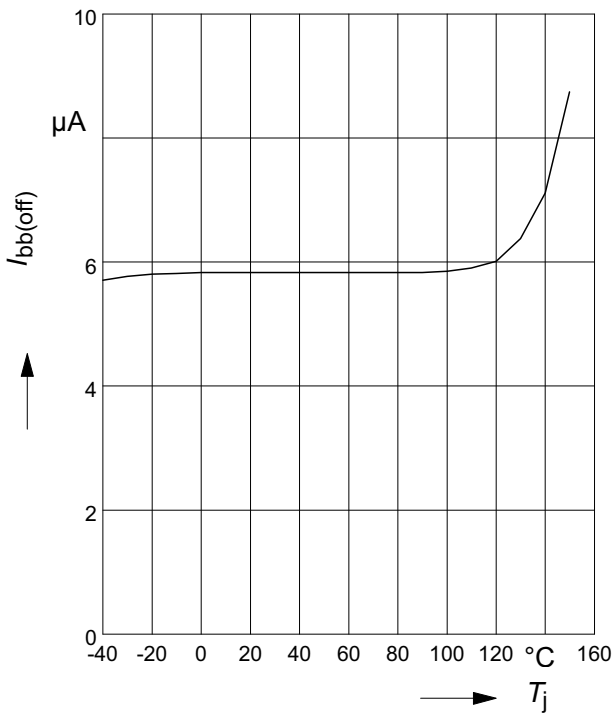




Smart High-Side Power Switch BTS452T

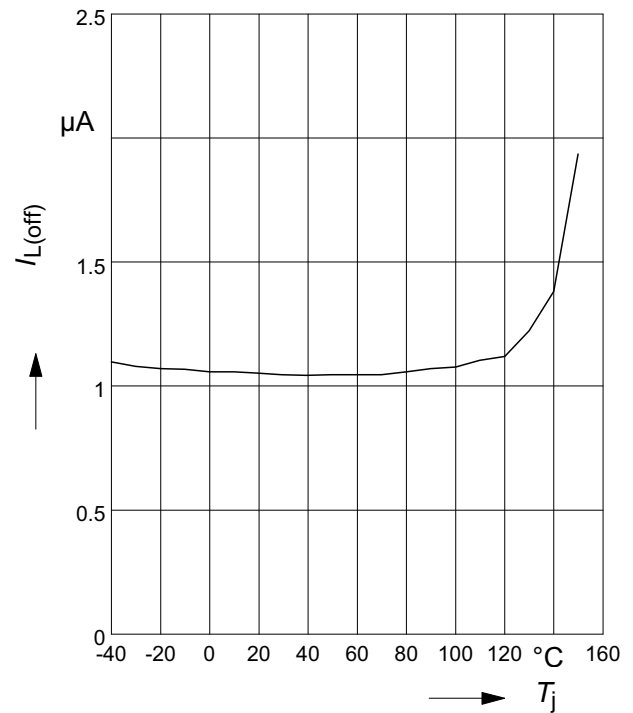
Typ. standby current

$$I_{bb(off)} = f(T_j) ; V_{bb} = 42V ; V_{IN} = low$$



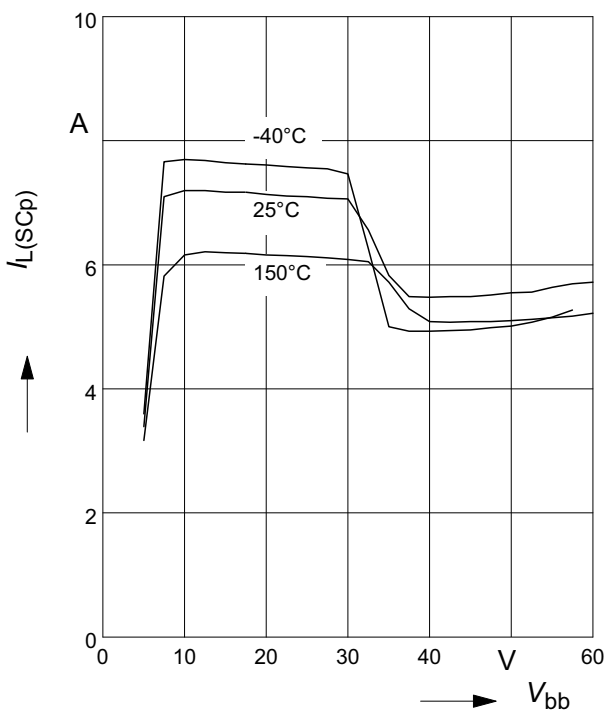
Typ. leakage current

$$I_{L(off)} = f(T_j) ; V_{bb} = 42V ; V_{IN} = low$$



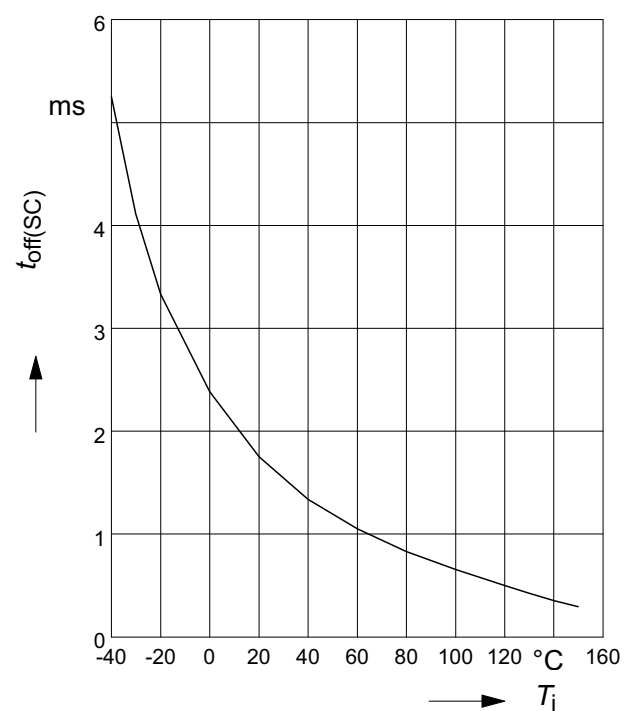
Typ. initial peak short circuit current limit

$$I_{L(SCp)} = f(V_{bb})$$



Typ. initial short circuit shutdown time

$$t_{off(SC)} = f(T_{j,start}) ; V_{bb} = 20V$$



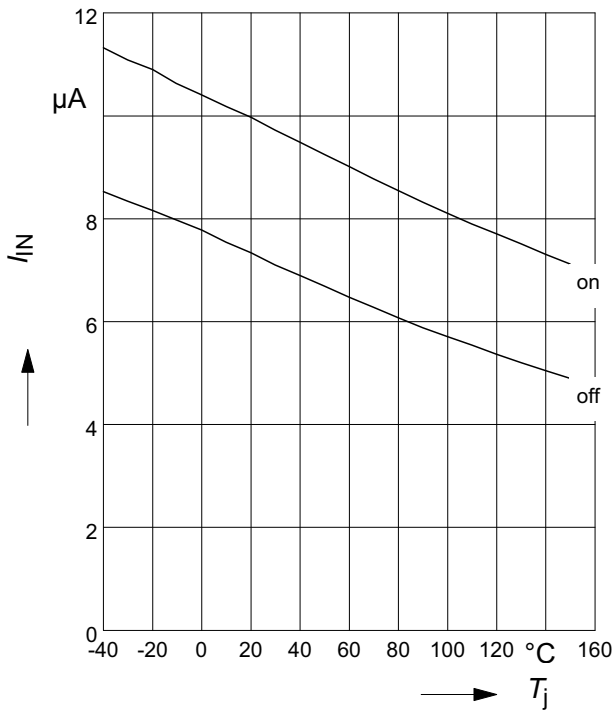


Smart High-Side Power Switch BTS452T

Typ. input current

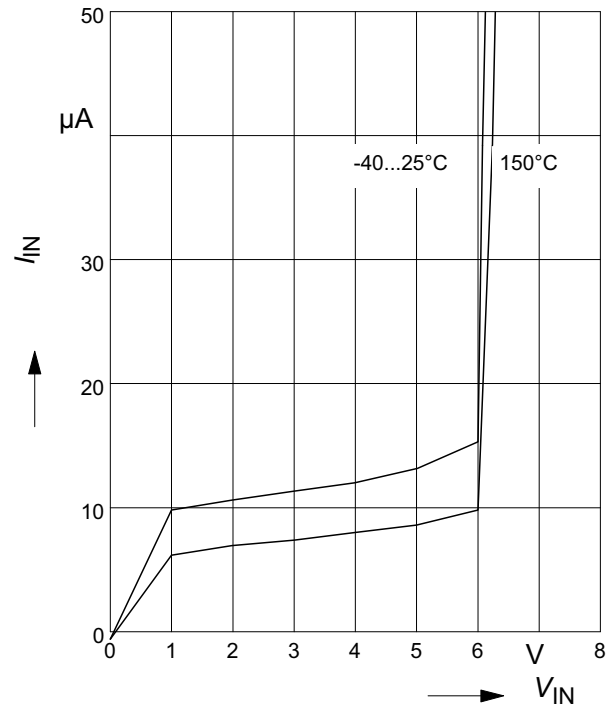
$$I_{IN(on/off)} = f(T_j); V_{bb} = 13,5V; V_{IN} = \text{low/high}$$

$$V_{INlow} \leq 0,7V; V_{INhigh} = 5V$$



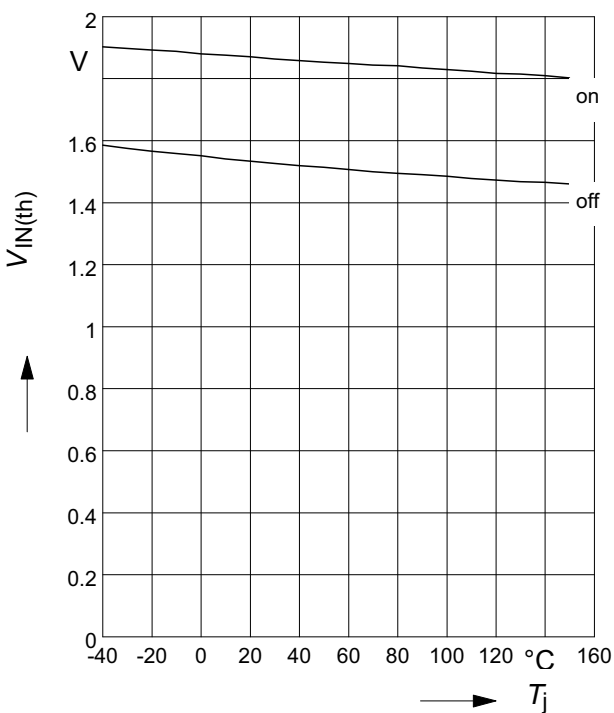
Typ. input current

$$I_{IN} = f(V_{IN}); V_{bb} = 13.5V$$



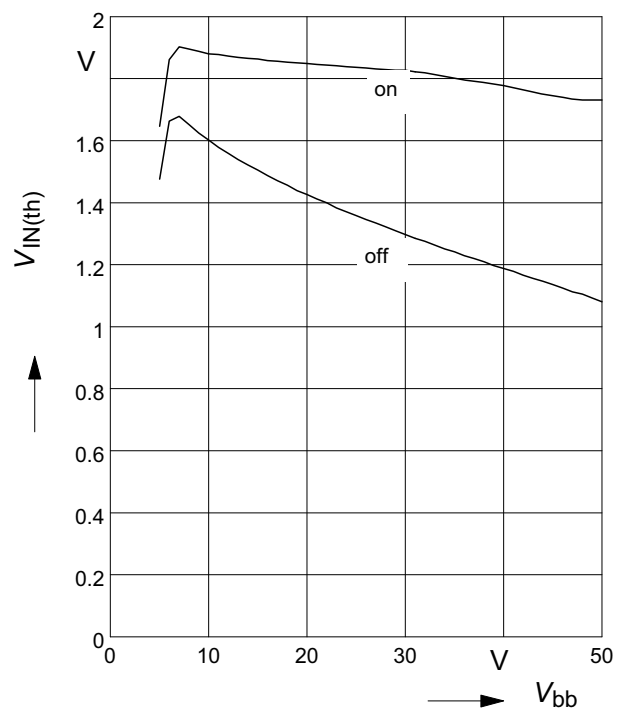
Typ. input threshold voltage

$$V_{IN(th)} = f(T_j); V_{bb} = 13,5V$$



Typ. input threshold voltage

$$V_{IN(th)} = f(V_{bb}); T_j = 25^{\circ}C$$

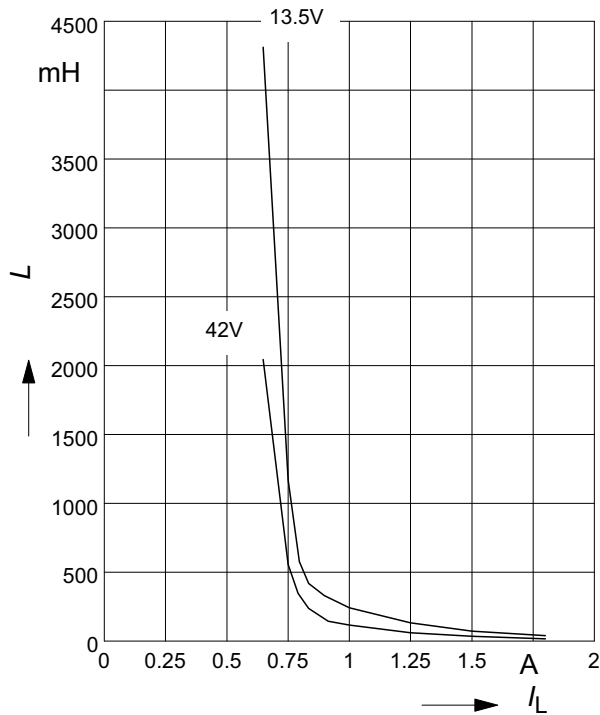




Smart High-Side Power Switch BTS452T

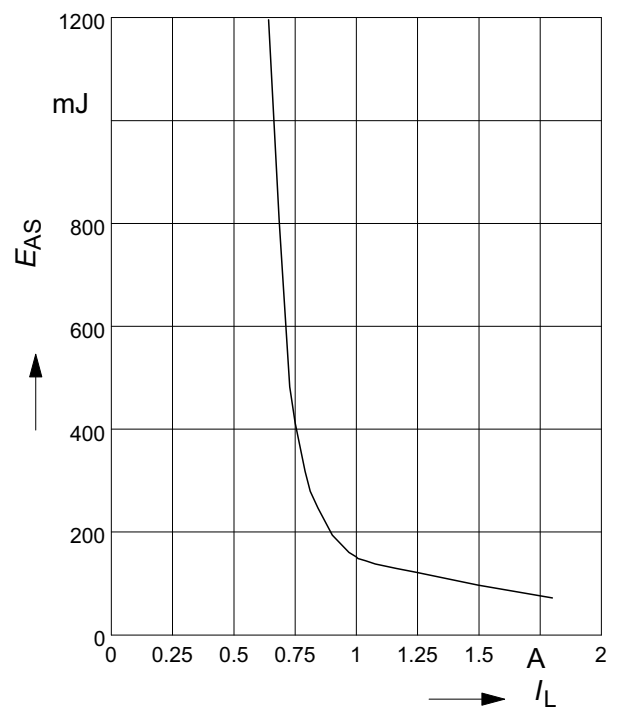
Maximum allowable load inductance for a single switch off

$$L = f(I_L); T_{jstart} = 150^\circ\text{C}, R_L = 0\Omega$$



Maximum allowable inductive switch-off energy, single pulse

$$E_{AS} = f(I_L); T_{jstart} = 150^\circ\text{C}, V_{bb} = 13,5\text{V}$$





Smart High-Side Power Switch BTS452T

Timing diagrams

Figure 1a: V_{bb} turn on:

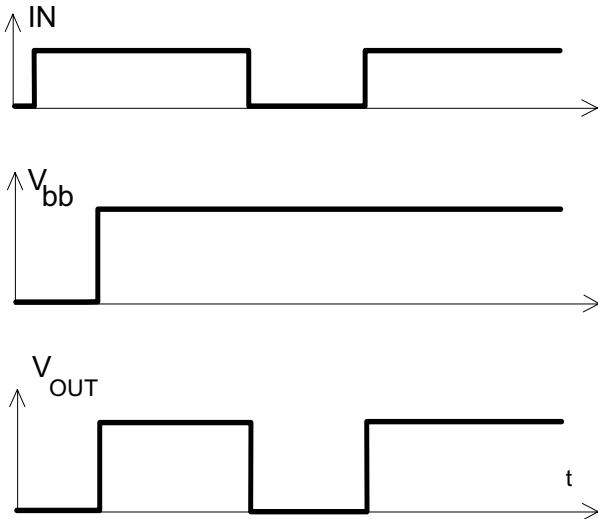


Figure 2b: Switching a lamp,

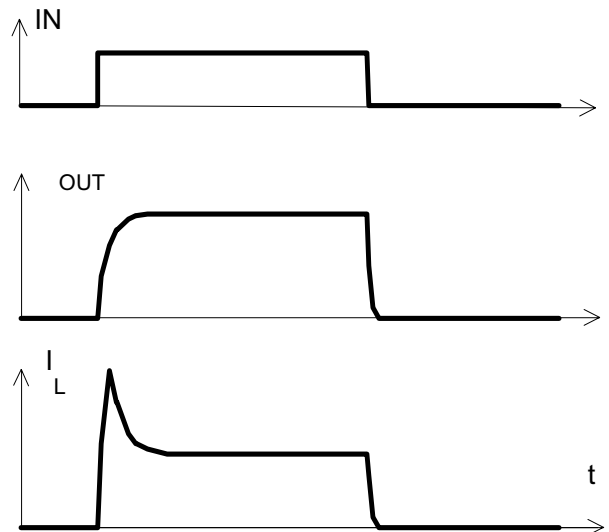


Figure 2a: Switching a resistive load, turn-on/off time and slew rate definition

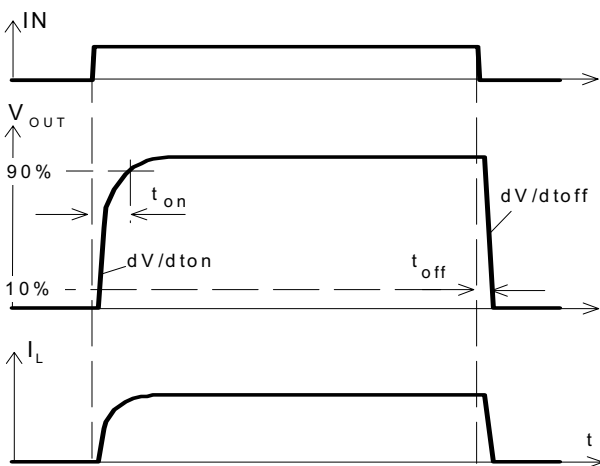
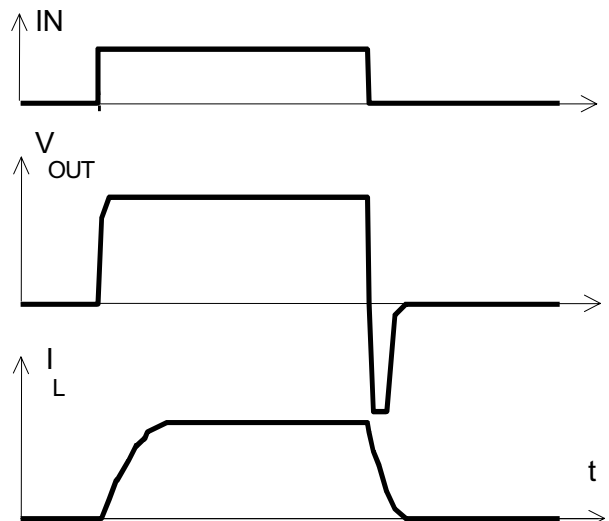


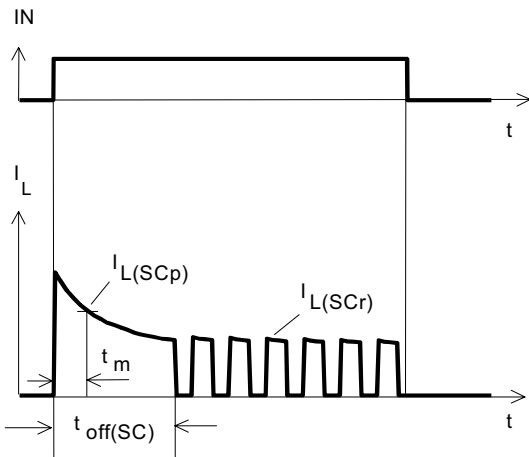
Figure 2c: Switching an inductive load





**Smart High-Side Power Switch
BTS452T**

Figure 3a: Turn on into short circuit, shut down by overtemperature, restart by cooling



Heating up of the chip may require several milliseconds, depending on external conditions.

Figure 4: Overtemperature: Reset if $T_j < T_{jt}$

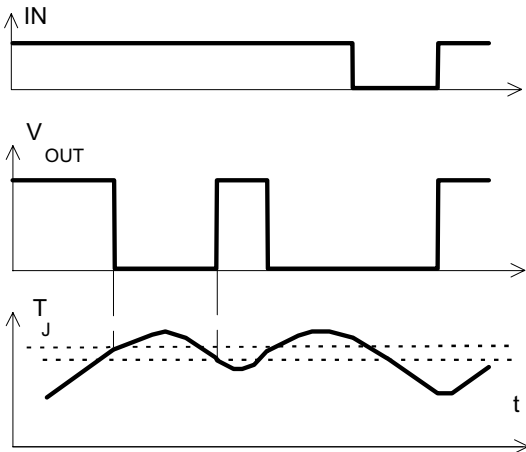
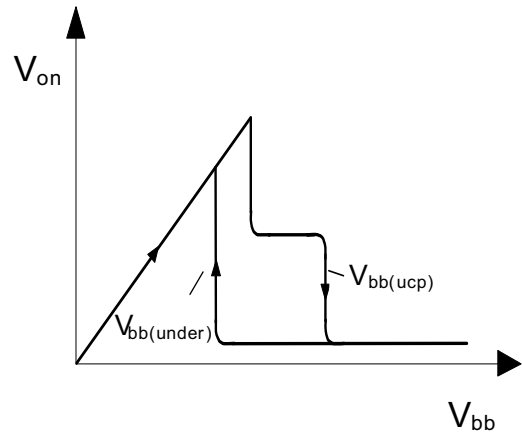


Figure 5: Undervoltage restart of charge pump



Package Outlines

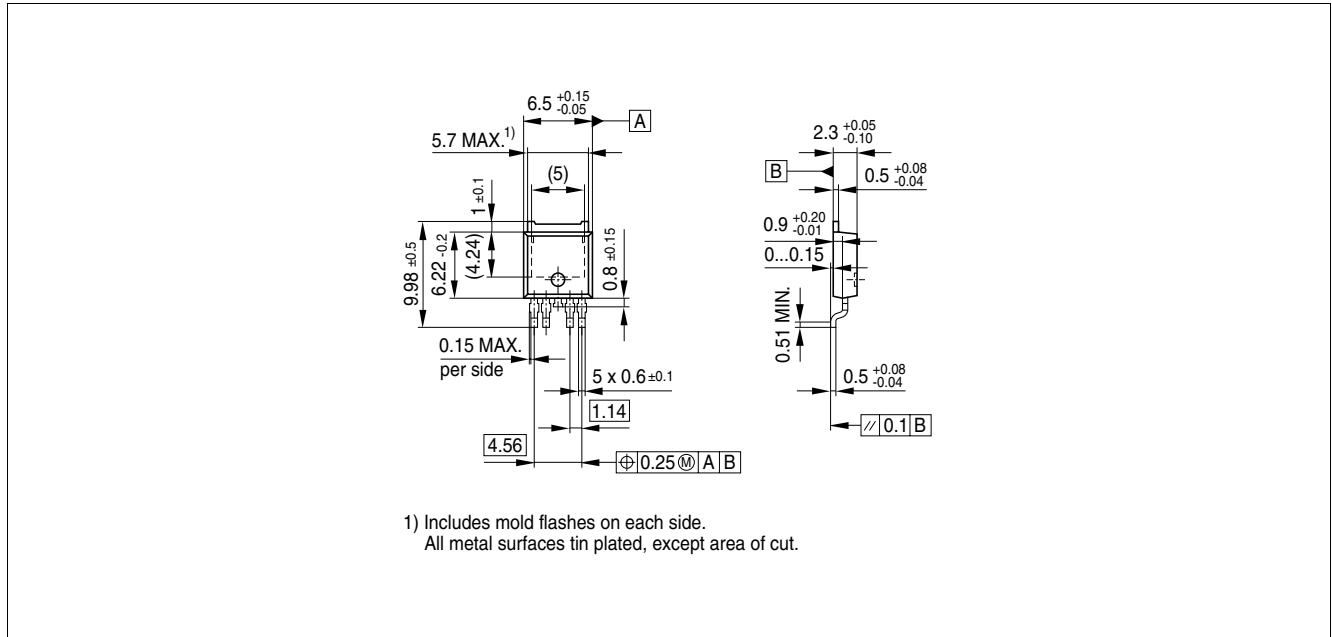


Figure 1 PG-TO-252 (Plastic Dual Small Outline Package) (RoHS-compliant)

To meet the world-wide customer requirements for environmentally friendly products and to be compliant with government regulations the device is available as a green product. Green products are RoHS-Compliant (i.e Pb-free finish on leads and suitable for Pb-free soldering according to IPC/JEDEC J-STD-020).

Please specify the package needed (e.g. green package) when placing an order



**Smart High-Side Power Switch
BTS452T**

Revision History

| Version | Date | Changes |
|---------|------------|--|
| V1.1 | 2007-05-29 | Creation of the green datasheet. First page : Adding the green logo and the AEC qualified Adding the bullet AEC qualified and the RoHS compliant features Package page : Modification of the package to be green. |

Edition 2007-05-29

**Published by
Infineon Technologies AG
81726 Munich, Germany**

**© Infineon Technologies AG 9/3/07.
All Rights Reserved.**

Legal Disclaimer

The information given in this document shall in no event be regarded as a guarantee of conditions or characteristics ("Beschaffenheitsgarantie"). With respect to any examples or hints given herein, any typical values stated herein and/or any information regarding the application of the device, Infineon Technologies hereby disclaims any and all warranties and liabilities of any kind, including without limitation warranties of non-infringement of intellectual property rights of any third party.

Information

For further information on technology, delivery terms and conditions and prices please contact your nearest Infineon Technologies Office (www.infineon.com).

Warnings

Due to technical requirements components may contain dangerous substances. For information on the types in question please contact your nearest Infineon Technologies Office.

Infineon Technologies Components may only be used in life-support devices or systems with the express written approval of Infineon Technologies, if a failure of such components can reasonably be expected to cause the failure of that life-support device or system, or to affect the safety or effectiveness of that device or system. Life support devices or systems are intended to be implanted in the human body, or to support and/or maintain and sustain and/or protect human life. If they fail, it is reasonable to assume that the health of the user or other persons may be endangered.