

## Excellent Integrated System Limited

Stocking Distributor

Click to view price, real time Inventory, Delivery & Lifecycle Information:

[Abracon Corporation](#)

[AXS-1147-02-02](#)

For any questions, you can email us directly:

[sales@integrated-circuit.com](mailto:sales@integrated-circuit.com)

# CRYSTAL TEST & BURN IN SOCKET



AXS-1147-02-02

Precision test socket for 11.4 x 4.7mm,  
 2 pad crystal packages.



**RoHS**  
 Compliant

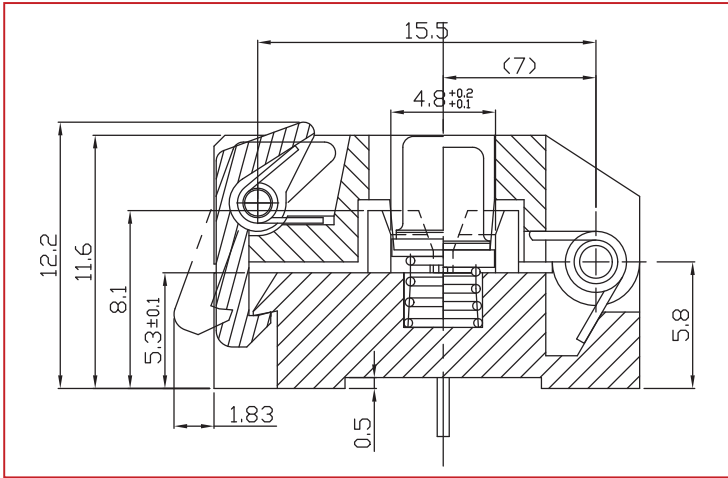
## FEATURES:

- Accurate and reliable testing of frequency control devices
- Contact force ideal for avoiding measurement error
- Highest quality socket available
- Clam shell design for easy open and close
- Reliable gold plated POGO pins
- Suitable for high temperature burn-in test
- Operating Temperature: -30 ~ +150°C

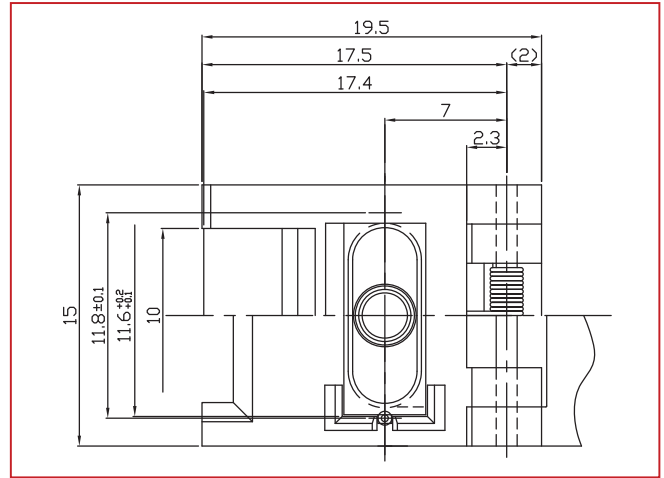
## APPLICATIONS:

- Design stage component engineering evaluation
- Supplier comparison tests
- High temperature burn-in board testing
- Prototyping

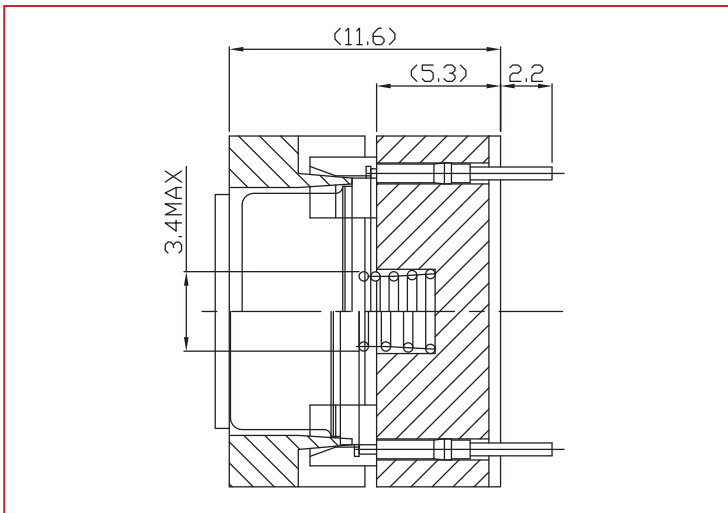
### SIDE VIEW (OPEN):



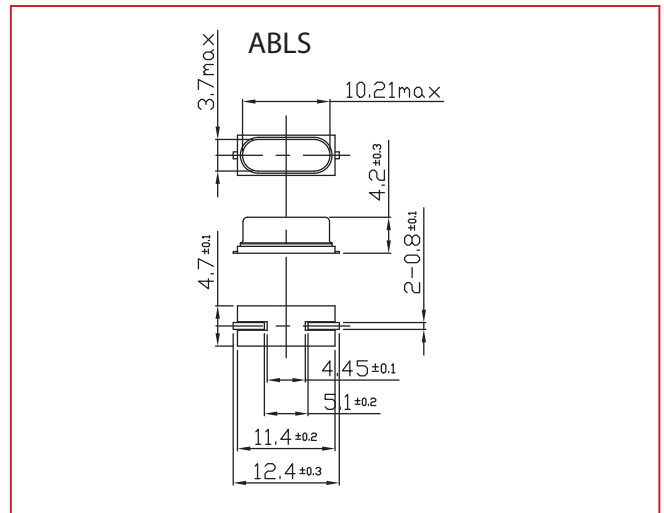
### POCKET TOP VIEW:



### END VIEW:



### SUITABLE CRYSTAL PACKAGE DIMENSIONS:



Dimensions: mm

## ORDERING INFORMATION:

When ordering, please refer to part number

# AXS-1147-02-02

## RECOMMENDED FOR USE WITH DEVICE PACKAGE DIMENSIONS:

**11.4 x 4.7 x 4.2 to 5.5mm**

## COMPATIBLE ABRACON SURFACE MOUNT CRYSTAL:

### ABLS Series

(for a pdf download go to [www.abracon.com/Resonators/ABLS.pdf](http://www.abracon.com/Resonators/ABLS.pdf))

\* ABRACON test and burn in sockets are compatible with all industry standard frequency control packages.