

## Excellent Integrated System Limited

Stocking Distributor

Click to view price, real time Inventory, Delivery & Lifecycle Information:

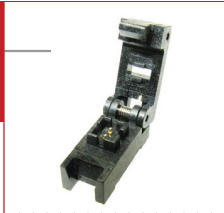
[Abracon Corporation](#)

[AXS-2012-02-04](#)

For any questions, you can email us directly:

[sales@integrated-circuit.com](mailto:sales@integrated-circuit.com)

# CRYSTAL TEST & BURN IN SOCKET



AXS-2012-02-04

Precision test socket for 2.0X1.2mm,  
 2 pad crystal packages.



**RoHS**  
 Compliant

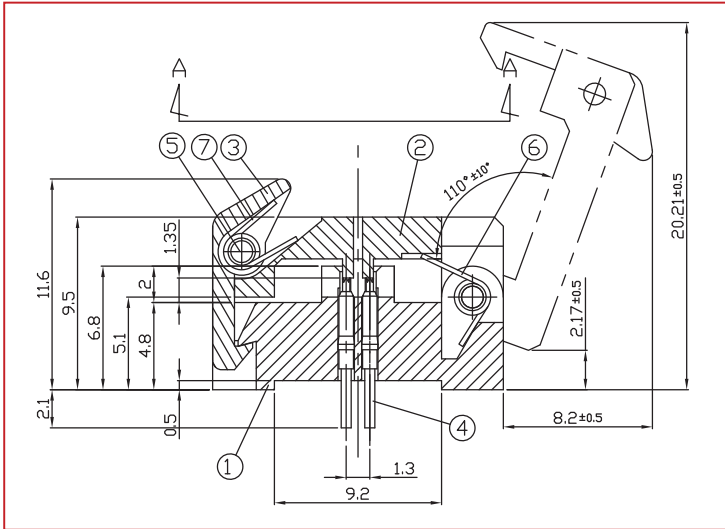
➤ **FEATURES:**

- Accurate and reliable testing of frequency control devices
- Contact force ideal for avoiding measurement error
- Highest quality socket available
- Clam shell design for easy open and close
- Reliable gold plated POGO pins
- Suitable for high temperature burn-in test
- Operating Temperature: -30 ~ +150°C

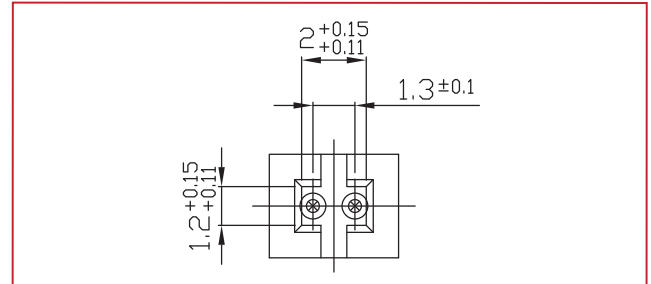
➤ **APPLICATIONS:**

- Design stage component engineering evaluation
- Supplier comparison tests
- High temperature burn-in board testing
- Prototyping

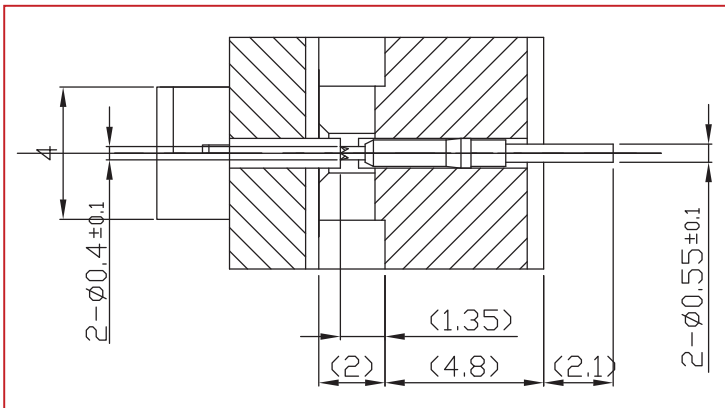
**SIDE VIEW (OPEN):**



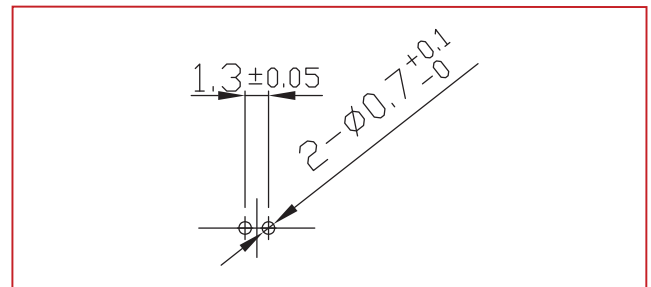
**POCKET TOP VIEW:**



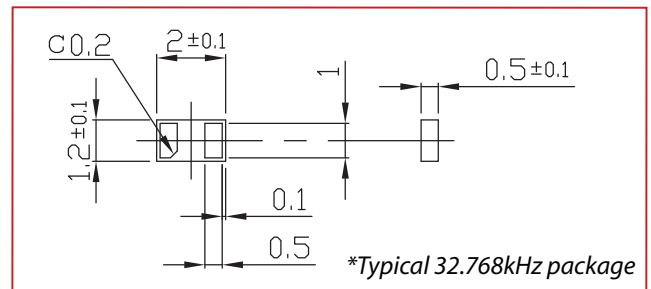
**END VIEW:**



**PIN DIMENSIONS:**



**SUITABLE CRYSTAL PACKAGE DIMENSIONS:**



Dimensions: mm

➤ **ORDERING INFORMATION:**

When ordering, please refer to part number

**AXS-2012-02-04**

➤ **IDEAL PACKAGE DIMENSIONS:**

**2.0 x 1.2 x 0.5mm**

➤ **COMPATIBLE ABRACON SURFACE MOUNT CRYSTAL:**

**ABS06**

(for a pdf download go to [www.abracon.com/Resonators/ABS06.pdf](http://www.abracon.com/Resonators/ABS06.pdf))

*\* ABRACON test and burn in sockets are compatible with all industry standard frequency control packages.*