

Excellent Integrated System Limited

Stocking Distributor

Click to view price, real time Inventory, Delivery & Lifecycle Information:

[Abracon Corporation](#)

[AXS-5032-04-04](#)

For any questions, you can email us directly:

sales@integrated-circuit.com

CRYSTAL/CRYSTAL OSCILLATOR TEST & BURN IN SOCKET



AXS-5032-04-04

Precision test socket for 5X3.2mm,
4 pad crystal and oscillator packages.



RoHS
Compliant

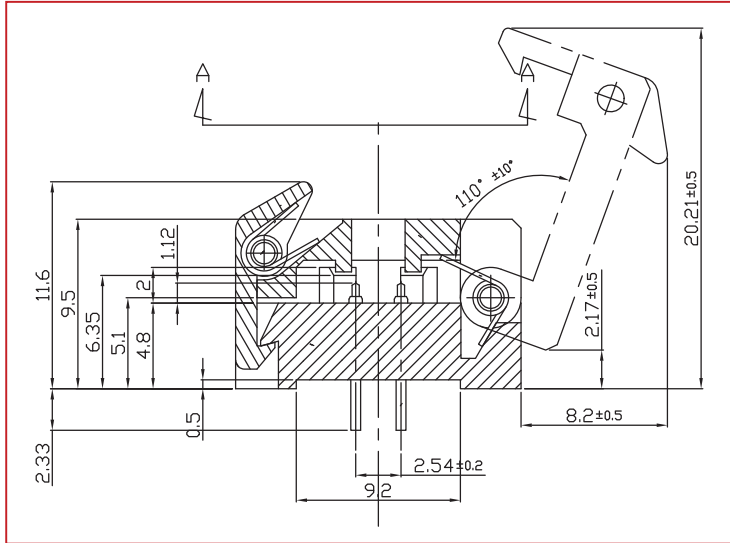
FEATURES:

- Accurate and reliable testing of frequency control devices
- Contact force ideal for avoiding measurement error
- Highest quality socket available
- Clam shell design for easy open and close
- Reliable gold plated POGO pins
- Suitable for high temperature burn-in test
- Operating Temperature: -30 ~ +150°C

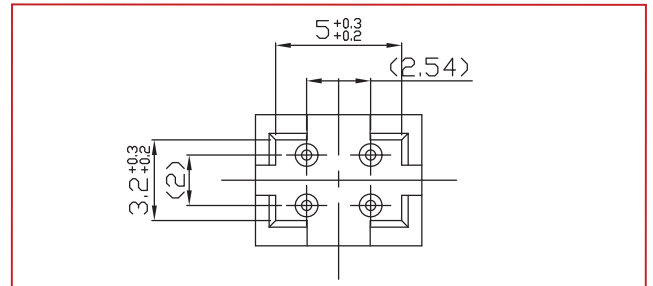
APPLICATIONS:

- Design stage component engineering evaluation
- Supplier comparison tests
- High temperature burn-in board testing
- Prototyping

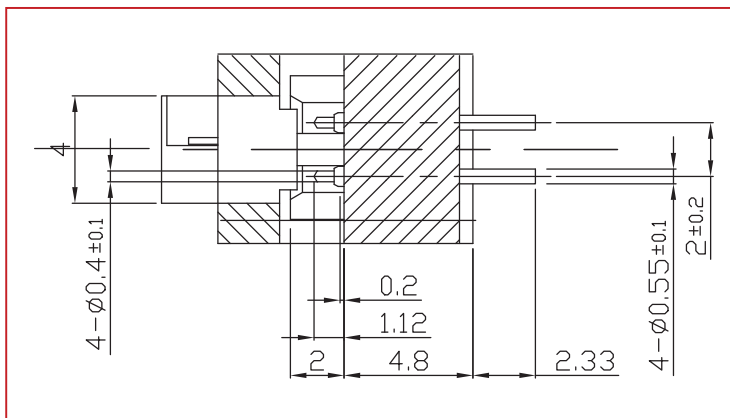
SIDE VIEW (OPEN):



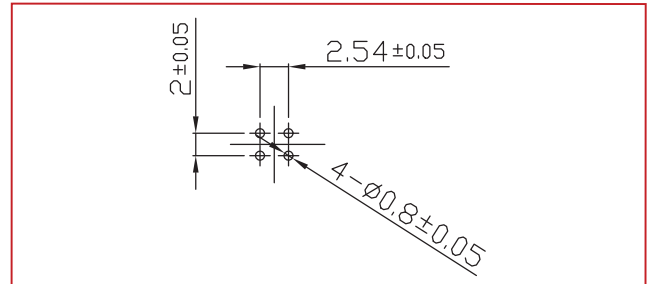
POCKET TOP VIEW:



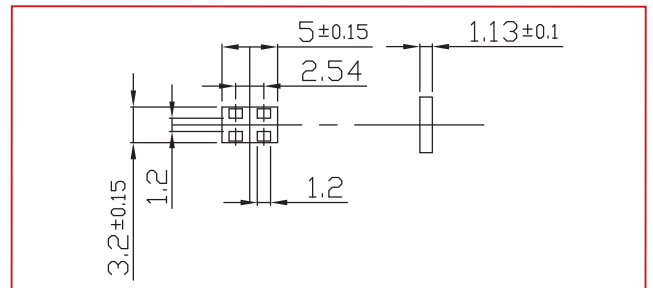
END VIEW:



PIN DIMENSIONS:



SUITABLE CRYSTAL/CRYSTAL OSCILLATOR PACKAGE DIMENSIONS:



Dimensions: mm

ORDERING INFORMATION:

When ordering, please refer to part number

AXS-5032-04-04

RECOMMENDED FOR USE WITH DEVICE PACKAGE DIMENSIONS:

5.0 x 3.2 x 1.13mm

COMPATIBLE ABRACON SURFACE MOUNT CRYSTAL/OSCILLATOR

ABM3B, ABM53C, ASF1, ASFL1, ASFL2, ASFL3, ASFLT, ASFLK, ASFLV, ASFV, ASTX/ASVTX-09, ASTX-H08/H09, AP5S, ASFLP, ASSFL
 (for a pdf download go to <http://www.abracon.com/oscillators.htm>)

* ABRACON test and burn in sockets are compatible with all industry standard frequency control packages.