

## Excellent Integrated System Limited

Stocking Distributor

Click to view price, real time Inventory, Delivery & Lifecycle Information:

[Triad Magnetics](#)  
[VPT230-430](#)

For any questions, you can email us directly:  
[sales@integrated-circuit.com](mailto:sales@integrated-circuit.com)



## POWER TRANSFORMER CHASSIS MOUNT : TOROIDAL WORLD SERIES

# VPT230-430

### Electrical Specifications (@25C)

- Maximum Power: 100VA
- Input Voltage: **Series:** 230VAC, 50/60Hz  
**Parallel:** 115VAC, 50/60Hz
- Output Voltage: **Series:** 230VAC CT @ 0.43A  
**Parallel:** 115.0VAC @ 0.86A
- Voltage Regulation: 9% TYP from full load to no load
- Temperature Rise: 45°C TYP
- Hipot: 4000VAC, Primary to Secondary
- Efficiency: 89% TYP. @ full load

### Construction:

The toroidal construction inherently helps reduce stray fields, increases efficiency and minimizes size compared to traditional EI transformers. Built with Class B (130°) insulation system.

### Safety:

World Series Transformers are designed and manufactured to meet most International Safety agency standards.

### Agency File:

UL: File E122529, UL 506  
 CE: EN 61558-1:2005, EN 61558-2-6:1995, Low Voltage Directive (LVD)  
 EN 6-000-6-6:2001+A11:2004, EN 55014-1:2000+A1:2001+A2:2002, EN  
 6100-6-1:2001, EN 55014-2:1997+A1:2001, Electromagnetic Compatibility (EMC)



### Dimensions (mm):

H*	I.D.	O.D.
47.0	31.0	87.0

\*Add 3mm to the height for mounting hardware  
 Weight: 1.0Kg

### Mounting:

Transformer is provided with one metal mounting plate, two rubber pads, M6 x 55mm bolt, nut, spring and flat washer.

### Connections:

Transformer is provided with 8" (200mm) long, 0.25" (6mm) stripped and tinned, stranded UL 1015 lead wire. Primaries are 22AWG, Secondaries are 22AWG.

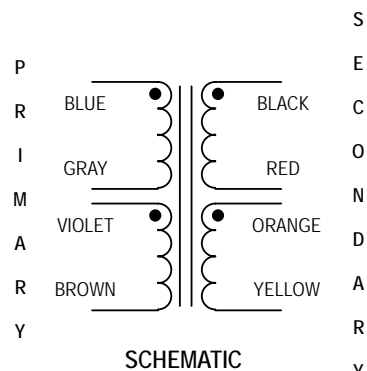
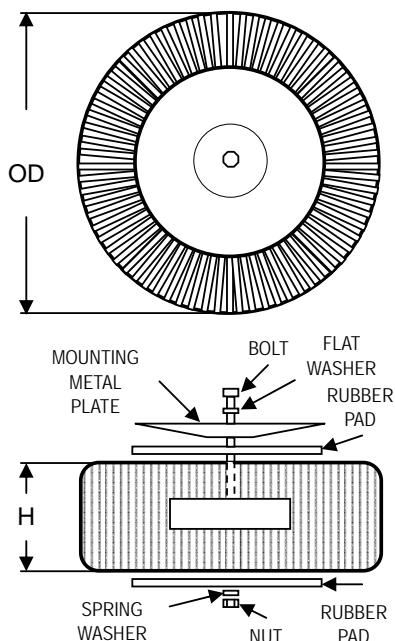
**Input<sup>1</sup>:** Series – BLUE and BROWN, Jumper GRAY to VIOLET  
 Parallel – BLUE and BROWN, Jumper BLUE to VIOLET, GRAY to BROWN

**Output<sup>1</sup>:** Series – BLACK and YELLOW, Jumper RED to ORANGE  
 Parallel – BLACK and YELLOW, Jumper BLACK to ORANGE, RED to YELLOW

**RoHS Compliance:** As of manufacturing date February 2005, all standard products meet the requirements of 2011/65/EU, known as the RoHS initiative.

\* Upon printing, this document is considered "uncontrolled". Please contact Triad Magnetics' website for the most current version.

<sup>1</sup> Primary and secondary windings are designed to be connected in series or parallel. Windings are not intended to be used independently.



SCHEMATIC

Web: www.TriadMagnetics.com  
 Phone 951-277-0757  
 Fax 951-277-2757

460 Harley Knox Blvd.  
 Perris, California 92571

Publish Date: August 12, 2014