

Excellent Integrated System Limited

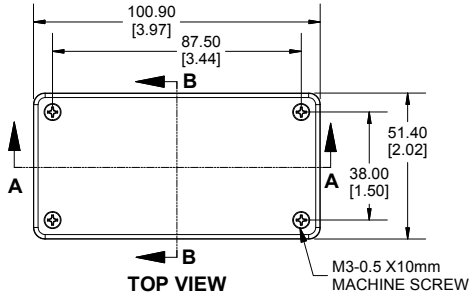
Stocking Distributor

Click to view price, real time Inventory, Delivery & Lifecycle Information:

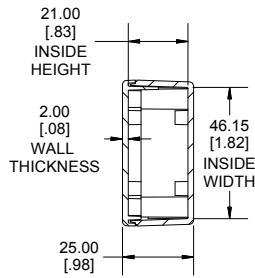
[Hammond Manufacturing](#)
[1591XXABK](#)

For any questions, you can email us directly:

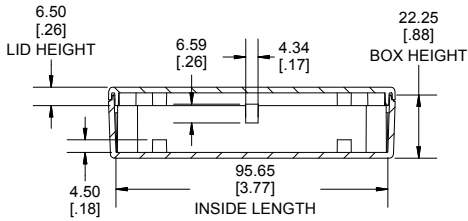
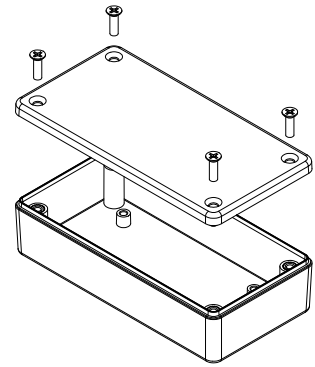
sales@integrated-circuit.com



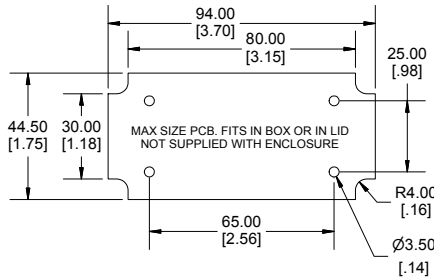
TOP VIEW



**SECTION B-B
END VIEW**



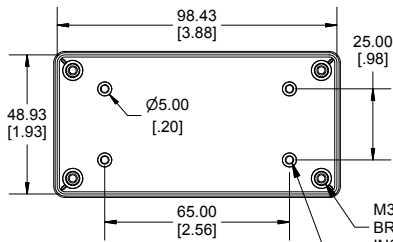
**SECTION A-A
SIDE VIEW**



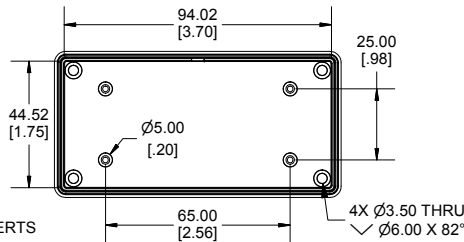
Enclosures can be Factory Modified (Milling, Drilling, Printing etc.)
Contact Factory - mjm@hammondmfg.com for quotes
Solid models of this enclosure available in STEP or IGES.
(Part number and text placement/orientation on our products are subject to change.
we do not recommend using them as a locating reference for modification purposes)

NOTE

Purchased assembly includes box, lid, 4 cover screws and installed brass inserts.
Enclosure molded from FRABS UL 94-V0 Plastic.
Other materials / colours available consult factory.
Recommended Torque : (43-50) Ozf.in / (30-35) cNm



INSIDE BOX



INSIDE LID

BOX AND LID PCB POSTS
ACCEPT #4 X 1/4"
SELF-TAPPING SCREW

Dimensions:
mm
[inches]

PART NUMBERS	
1591XXA Enclosure	
Black Textured Enclosure	1591XXABK
Gray Textured Enclosure	1591XXAGY
ACCESSORIES	
Black Cover Screws [M3-0.5 X10mm]	1591MS100BK (Pkg 100)
Plated Cover Screws [M3-0.5 X10mm]	1591MS100 (Pkg 100)
P.C. Board Screws	1591ATS00 (Pkg 50)
#4 x 1/4" self-tapping (6.4mm)	1591ATS100 (Pkg 100)

**HAMMOND
MANUFACTURING.**
1591XXA
www.hammondmfg.com