

## **Excellent Integrated System Limited**

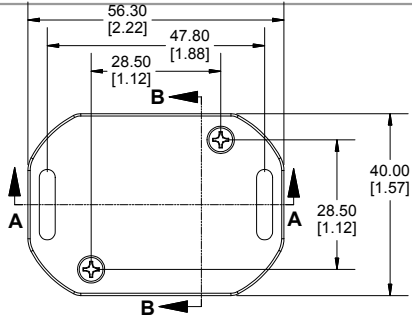
Stocking Distributor

Click to view price, real time Inventory, Delivery & Lifecycle Information:

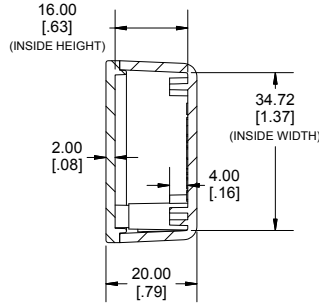
[Hammond Manufacturing](#)  
[1551PFLBK](#)

For any questions, you can email us directly:

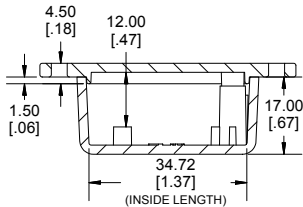
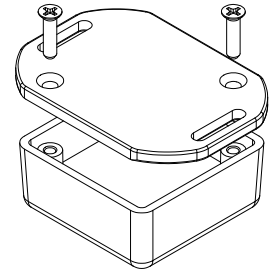
[sales@integrated-circuit.com](mailto:sales@integrated-circuit.com)



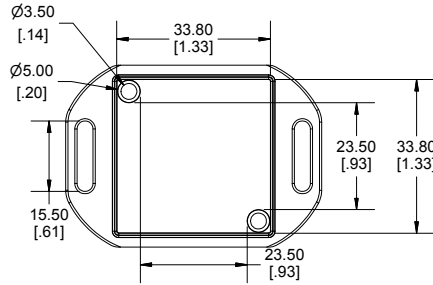
**TOP VIEW**



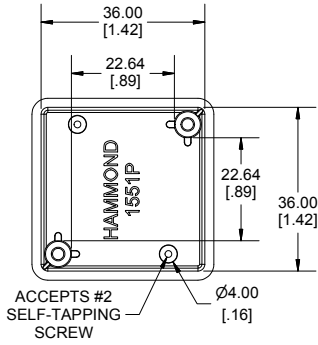
**END VIEW SECTION B-B**



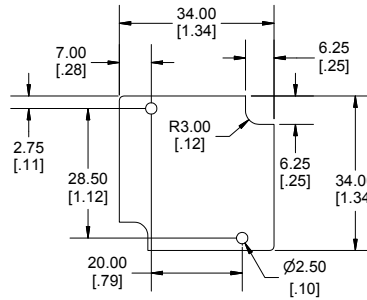
**SIDE VIEW SECTION A-A**



**INSIDE LID**



**INSIDE BOX**



**MAXIMUM P.C. BOARD SIZE**

Enclosures can be Factory Modified ( Milling, Drilling, Printing etc.)  
Contact Factory [mjm@hammondmfg.com](mailto:mjm@hammondmfg.com) for quotes  
Solid models of this enclosure available in STEP or IGES.  
(Part number and text placement/orientation on our products are subject to change, we do not recommend using them as a locating reference for modification purposes)

NOTE	
Purchased assembly includes box, lid, 2 cover screws.	
Enclosure molded from general purpose ABS Plastic.	
Other materials / colours available consult factory.	
Recommended Torque : (35-43) Ozf.in / (25-30) cN.m	
PART NUMBERS	
1551PFL Enclosure	
Black Enclosure - Ral 9011 - UL94 - HB	1551PFLBK
Gray Enclosure - RAL 7035 - UL94 - HB	1551PFLGY
Tranlucent Blue - UL94 - HB	1551PFLTBU
ACCESSORIES	
Black Cover Screws #4 X 1/2" Self-Happing	1591TS100BK (Pkg 100)
Plated Cover Screws #4 X 1/2" Self-Happing	1591TS100 (Pkg 100)
P.C. Board Screws	1551ATS50 (Pkg 50)
#2 x 3/16" self-Happing (4.8mm)	1551ATS100 (Pkg 100)

**HAMMOND MANUFACTURING**  
**1551PFL**  
[www.hammondmfg.com](http://www.hammondmfg.com)

Dimensions:  
mm  
[inches]