

## **Excellent Integrated System Limited**

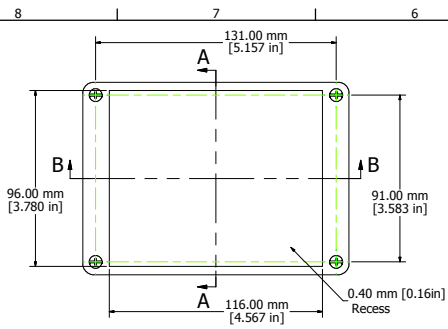
Stocking Distributor

Click to view price, real time Inventory, Delivery & Lifecycle Information:

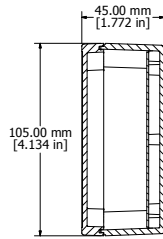
[Hammond Manufacturing](#)  
[RP1205](#)

For any questions, you can email us directly:

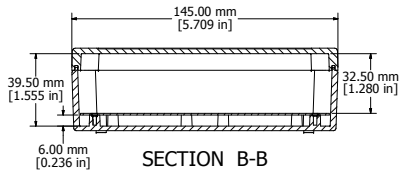
[sales@integrated-circuit.com](mailto:sales@integrated-circuit.com)



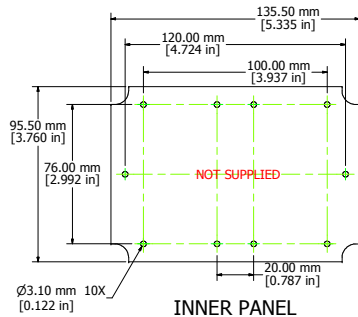
ASSEMBLY - TOP



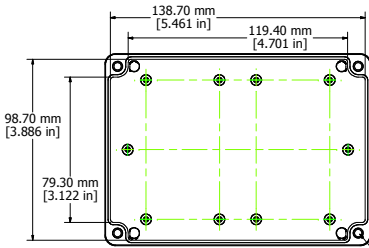
SECTION A-A



SECTION B-B

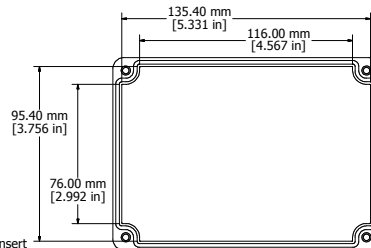


INNER PANEL



BOX - INSIDE

M3.5 Stainless Steel Lid Insert  
Type 304 Stainless 4X



LID - INSIDE

Enclosures can be Factory Modified ( Milling, Drilling, Printing etc. )  
Contact Factory [mjm@hammondmfg.com](mailto:mjm@hammondmfg.com) for quotes  
Solid models of this enclosure available in STEP or IGES.

RP1205	
Material:	ABS (UL94-HB), Light Gray Color
Lid Screws:	M3.5 x 10, 304 Stainless
Gasket:	EDPM Cord.
Circuit Board Screws:	4 Supplied (M3 self tap)
Suggested Lid Screw Torque:	30 ozf-in (21 cN-m)

